

Made In India



Stepper Motor Drives



Stepper Drive Controllers

Contents

- Captive Linear Actuator Stepper Motors
- Non Captive Linear Actuator Stepper Motors
- Lead Screw & Anti Backlash Nut
- Power Supply, Drives & Controllers
- Rigid Coupling & Mounting Bracket



Non Captive Linear Actuator Stepper Motor



Captive Linear Actuator Stepper Motor



POWER SUPPLIES



MOUNTING BRACKETS



RIGID COUPLINGS



ANTI BACKLASH NUT



LEAD SEREW

A. Captive Linear Actuator Stepper Motors

Page No.4

NEMA 17 (42MM)

- 1) BH 42 SH 38 - 1684 LA - (3.6 Kg-cm)----- Page No.5
- 2) BH 42 SH 47 - 1684 LA (TR8 X 8) - (4.4 Kg-cm)----- Page No.6
- 3) BH 42 SH 47 - 1704 LA - (4.4 Kg-cm)----- Page No.7
- 4) BH 42 SH 47 - 1704 LA (TR8 X 8) - (4.4 Kg-cm)----- Page No.8
- 5) BH 42 SH 47 - 1504 LA - (5.5 Kg-cm)----- Page No.9
- 6) BH 42 SH 47 - 1504 LA (TR8 X 8) - (5.5 Kg-cm)----- Page No.10
- 7) BH 42 SH 60 - 0854 LA - (9 Kg-cm)----- Page No.11
- 8) BH 42 SH 60 - 0854 LA (TR8 X 8) - (9 Kg-cm)----- Page No.12

NEMA 23 (57 MM)

- 1) BH 57 SH 51 - 2804 LA - (10.1 Kg-cm)----- Page No.13
- 2) BH 57 SH 51 - 2804 LA (TR8 X 8) - (10.1 Kg-cm)----- Page No.14
- 3) BH 57 SH 76 - 2804 LA - (18.9 Kg-cm)----- Page No.15
- 4) BH 57 SH 76 - 2804 LA (TR8 X 8) - (18.9 Kg-cm)----- Page No.16
- 5) BH 57 SH 100 - 3004 LA - (25 Kg-cm)----- Page No.17
- 6) BH 57 SH 100 - 3004 LA (TR8 X 8) - (25 Kg-cm)----- Page No.18

NEMA 24 (60MM)

- 1) BH 60 SH 86 - 2804 LA - (31 Kg-cm)----- Page No.19

D. NEMA 34 (86MM)

- 1) BH 86 SH 65 - 6004 LA - (M14x2)-(34 Kg-cm) ----- Page No.20
- 2) BH 86 SH 80 - 5504 LA - (M14x2)-(46 Kg-cm) ----- Page No.21
- 3) BH 86 SH 96 - 5504 LA - (M14x2)-(70 Kg-cm) ----- Page No.22
- 4) BH 86 SH 118 - 6004 LA - (M14x2)-(87 Kg-cm)----- Page No.23

B. Non Captive Linear Actuator Stepper Motors

Page No.24

NEMA 17 (42MM)

- 1) BH 42 SH 33 - 1334 LA-NC (M6X1) - (2.2 Kg-cm)----- Page No.25
- 2) BH 42 SH 33 - 1334 LA-NC (T6X2) - (2.2 Kg-cm)----- Page No.26
- 3) BH 42 SH 33 - 1334 LA-NC (TR8 X 8) - (2.2 Kg-cm)----- Page No.27
- 4) BH 42 SH 38 - 1684 LA-NC (M6X1) - (3.6 Kg-cm)----- Page No.28
- 5) BH 42 SH 38 - 1684 LA-NC (T6X2) - (3.6 Kg-cm)----- Page No.29
- 6) BH 42 SH 38 - 1684 LA-NC (TR8 X 8) - (3.6 Kg-cm)----- Page No.30
- 7) BH 42 SH 47 - 1704 LA-NC (M6X1) - (4.4 Kg-cm)----- Page No.31
- 8) BH 42 SH 47 - 1704 LA-NC (T6X2) - (4.4 Kg-cm)----- Page No.32
- 9) BH 42 SH 47 - 1704 LA-NC (TR8 X 8) - (4.4 Kg-cm)----- Page No.33
- 10) BH 42 SH 47 - 1504 LA-NC (M6X1) - (5.5 Kg-cm)----- Page No.34
- 11) BH 42 SH 47 - 1504 LA-NC (T6X2) - (5.5 Kg-cm)----- Page No.35
- 12) BH 42 SH 47 - 1504 LA-NC (TR8 X 8) - (5.5 Kg-cm)----- Page No.36
- 13) BH 42 SH 60 - 0854 LA-NC (M6X1) - (9 Kg-cm)----- Page No.37
- 14) BH 42 SH 60 - 0854 LA-NC (T6X2) - (9 Kg-cm)----- Page No.38
- 15) BH 42 SH 60 - 0854 LA-NC (TR8 X 8) - (9 Kg-cm)----- Page No.39

B. NEMA 23 (57MM)

- 1) BH 57 SH 51 - 2804 LA-NC (M10 X 1.5) - (10.1 Kg-cm)----- Page No.40
- 2) BH 57 SH 51 - 2804 LA-NC (M10 X 2) - (10.1 Kg-cm)----- Page No.41
- 3) BH 57 SH 51 - 2804 LA-NC (TR8 X 8) - (10.1 Kg-cm)----- Page No.42
- 4) BH 57 SH 76 - 2804 LA-NC (M10 X 1.5) - (18.9 Kg-cm)----- Page No.43
- 5) BH 57 SH 76 - 2804 LA-NC (M10 X 2) - (18.9 Kg-cm)----- Page No.44
- 6) BH 57 SH 76 - 2804 LA-NC (TR8 X 8) - (18.9 Kg-cm)----- Page No.45

NEMA 24 (60MM)

- 1) BH 60 SH 86 - 4004 LA -NC-(M10x1.5) (31 Kg-cm) ----- Page No.46
- 2) BH 60 SH 86 - 4004 LA -NC-(M10x2) (31 Kg-cm) ----- Page No.47
- 3) BH 60 SH 86 - 4004 LA -NC-(TR8x8) (31 Kg-cm) ----- Page No.48

NEMA 34 (86MM)

- 1) BH 86 SH 96 - 5504 LA - NC-(M10x2)-(70 Kg-cm) ----- Page No.49
- 2) BH 86 SH 96 - 5504 LA - NC-(M14x2)-(70 Kg-cm) ----- Page No.50
- 3) BH 86 SH 118 - 6004 LA -NC- (M10x2)-(87 Kg-cm) ----- Page No.51
- 4) BH 86 SH 118 - 6004 LA -NC- (M14x2)-(87 Kg-cm) ----- Page No.52

C. Lead Screw ----- Page No.53

D. Anti Back Lash Nut ----- Page No.54

E. Power Supply ----- Page No.55

- 1) BH -12 Vdc ----- Page No.56
- 2) BH -24 Vdc ----- Page No.57
- 3) BH - 48 Vdc ----- Page No.58
- 4) BH -60 Vac ----- Page No.59
- 5) BH -120 Vac ----- Page No.60

F. Stepper Drives ----- Page No.61

G. Stepper Drive Controllers ----- Page No.62

H. Rigid Couplings ----- Page No.63

- 1) BH -42 -RC ----- Page No.64
- 2) BH -57 -RC ----- Page No.65
- 3) BH -60 -RC ----- Page No.66
- 4) BH -86 -RC ----- Page No.67
- 5) BH -110 -RC ----- Page No.68

I. Mounting Brackets ----- Page No.69

- 1) BH-42-MB ----- Page No.70
- 2) BH-42-MB-PL ----- Page No.71
- 3) BH-57-MB ----- Page No.72
- 4) BH-57-MB-PL ----- Page No.73
- 5) BH-60-MB ----- Page No.74
- 6) BH-86-MB ----- Page No.75
- 7) BH-86-MB-PL ----- Page No.76
- 8) BH-110-MB ----- Page No.77



SIZE NEMA 17, 23, 24 & 34 (42, 57, 60 & 86MM)
2 - phase Stepping Motor
1.8⁰ High Torque Hybrid Stepper Motor

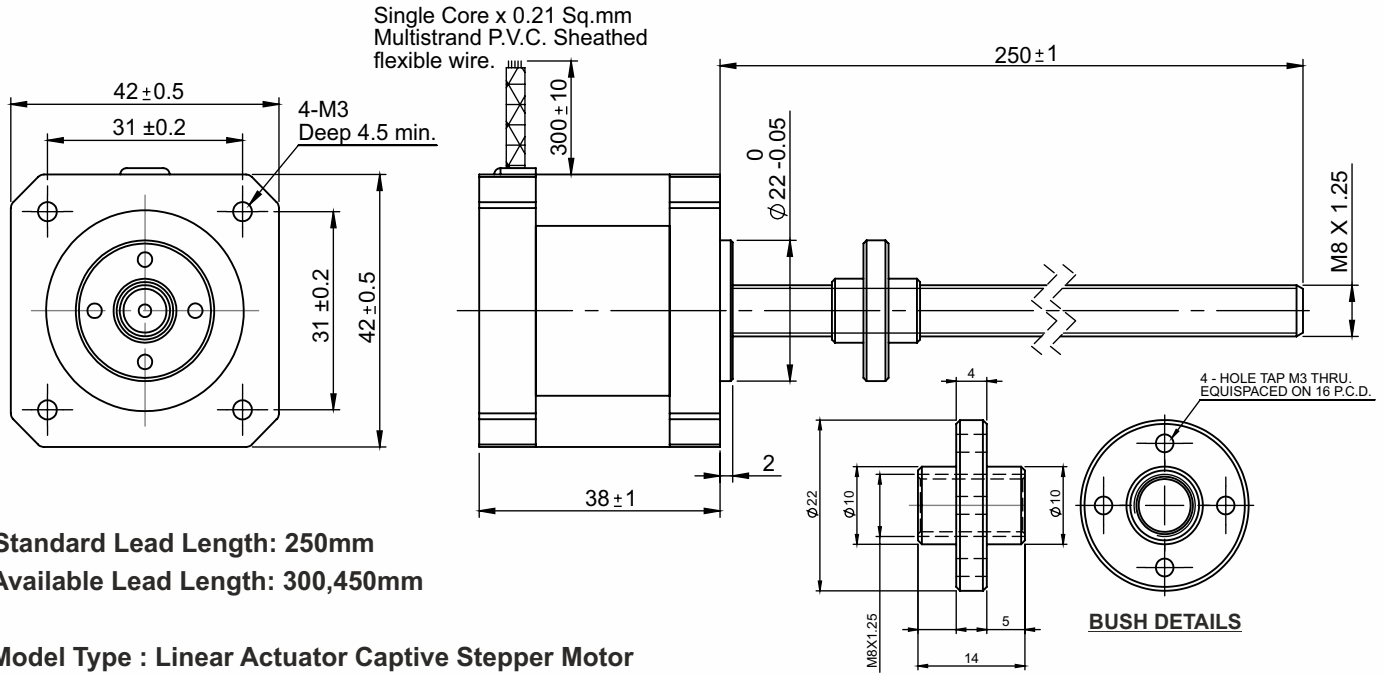
CAPTIVE LINEAR ACTUATOR

Stepper Motor



SPECIFICATION SHEET
Bholanath

STEPPER MOTOR
BH 42 SH 38 - 1684 LA(250/300/450)
(M8X1.25)
HIGH TORQUE HYBRID



TECHNICAL DATA

CHARACTERISTICS

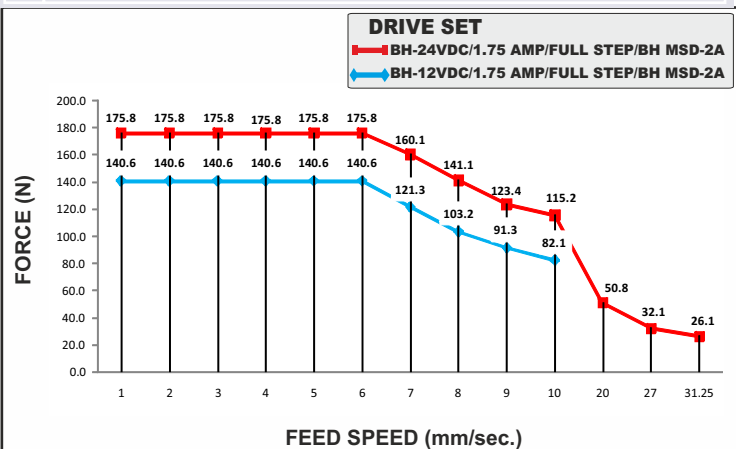
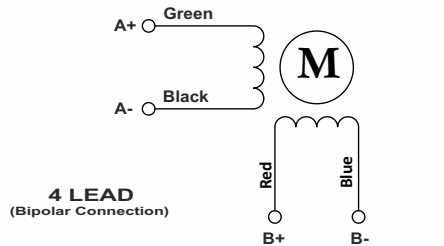
- Step Angle - 1.8°
- Step Angle Accuracy - ± 3 Arc Minute
- Insulation Class - H
- Ambient Temperature - (-20°C to +50°C)
- Temperature Rise - 80°C Max. (Rated Current Phase 2 ON)
- Insulation Resistance 100 M Ohms Min.500 VDC
- Dielectric Strength 500 VAC For One Minute
- Shaft Radial Play 0.02 Max. Play (450 G Load)
- Shaft Axial Play 0.08 Max. Play (450 G Load)
- Max.Radial Force 28 N (20MM From Front Flange)

SPECIFICATION

BH 42 SH 38 - 1684 LA(250/300/400) (M8X1.25)

MODEL		Bipolar
1	Rated Voltage	V 3.53
2	Current / Phase	A 1.68
3	Resistance / Phase	± 10% Ω 2.1
4	Inductance / Phase	± 20% mH 1.80
5	Holding Torque	Nm 0.36
6	Rotor Inertia	G-CM ² 66.6
7	Weight	KG. 0.38
8	No of Lead	N ⁰ 4
9	Operating Voltage	VDC 12 - 24
10	Linear Step size - 6.25 micron per full step	

Wiring Diagram



Bholanath Precision Engineering Pvt.Ltd.

COMMITTED TO PRECISION

11,Kembros Ind.Estate , Sonapur Lane , Bhandup (W),Mumbai - 400078.

BHOLANATH COOL STEPPERS

Telefax/Phone : 25662856/25664338/67993260 Email : support@bholanath.in

Mobile No : 9920903825/9821671733/9930514603/9819515543/9323166582.

SPECIFICATION SHEET

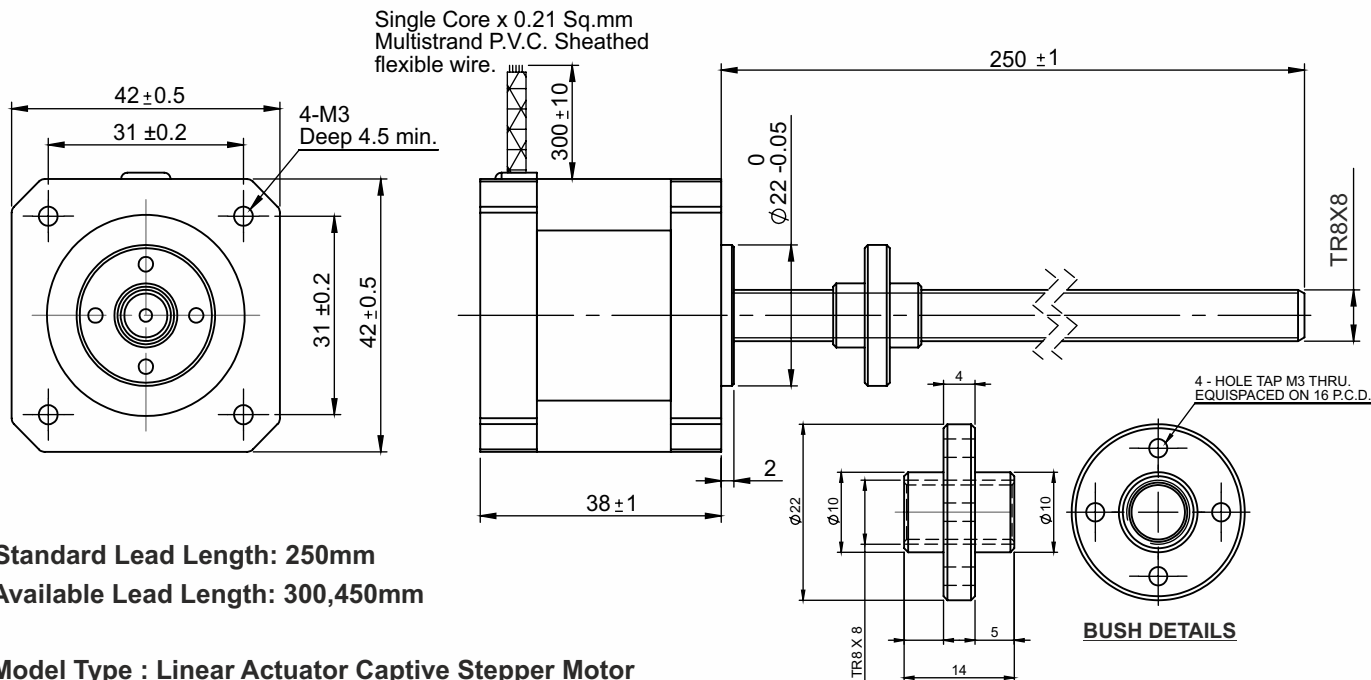
Bholanath

STEPPER MOTOR

BH 42 SH 38 - 1684 LA(250/300/450)

(TR8 X 8)

HIGH TORQUE HYBRID



TECHNICAL DATA

CHARACTERISTICS

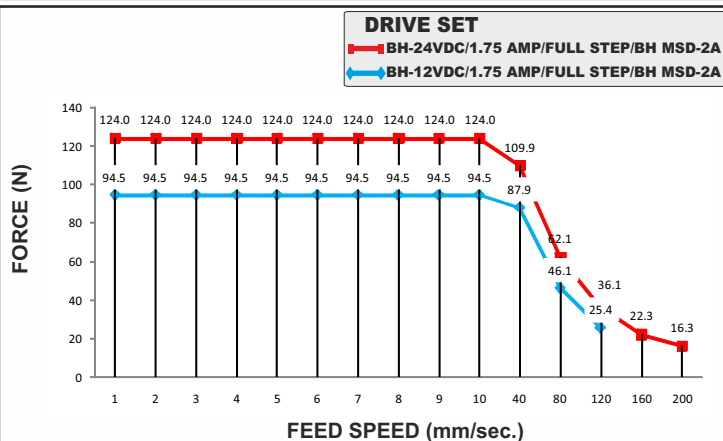
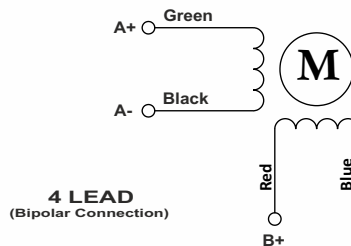
Step Angle - 1.8°
Step Angle Accuracy - ± 3 Arc Minute
Insulation Class - H
Ambient Temperature - (-20°C to +50°C)
Temperature Rise - 80°C Max. (Rated Current Phase 2 ON)
Insulation Resistance 100 M Ohms Min.500 VDC
Dielectric Strength 500 VAC For One Minute
Shaft Radial Play 0.02 Max. Play (450 G Load)
Shaft Axial Play 0.08 Max. Play (450 G Load)
Max.Radial Force 28 N (20MM From Front Flange)

SPECIFICATION

BH 42 SH 38 - 1684 LA (250/300/450)
(TR8X8)

	MODEL		Bipolar
1	Rated Voltage	V	3.53
2	Current / Phase	A	1.68
3	Resistance / Phase	± 10% Ω	2.1
4	Inductance / Phase	± 20% mH	1.80
5	Holding Torque	Nm	0.36
6	Rotor Inertia	G-CM ²	66.6
7	Weight	KG.	0.38
8	No of Lead	N ⁰	4
9	Operating Voltage	VDC	12 - 24
10	Linear Step size - 40 micron per full step		

Wiring Diagram



COMMITTED TO PRECISION

BHOLANATH COOL STEPPERS

Bholanath Precision Engineering Pvt.Ltd.

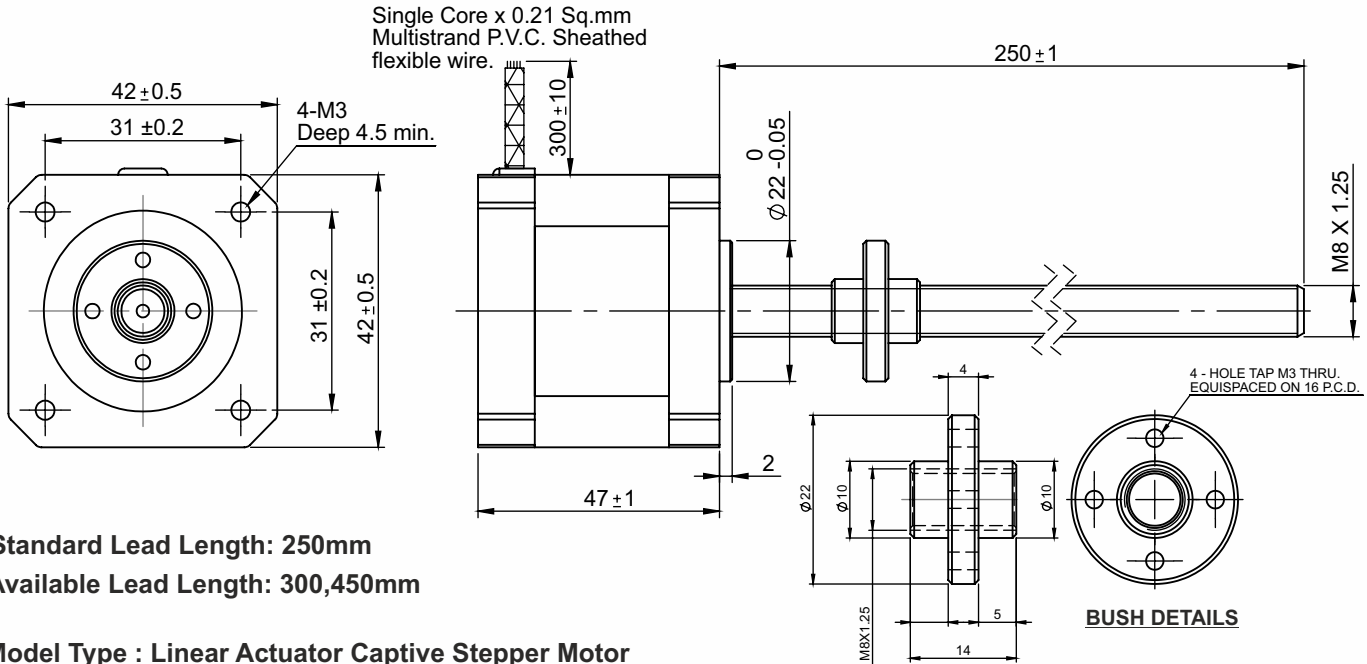
11,Kembros Ind.Estate , Sonapur Lane , Bhandup (W),Mumbai - 400078.

Telefax/Phone : 25662856/25664338/67993260 Email : support@bholanath.in

Mobile No : 9920903825/9821671733/9930514603/9819515543/9323166582.

SPECIFICATION SHEET
Bholanath

STEPPER MOTOR
Bh42 SH 47 - 1704 LA(250/300/450)
(M8X1.25)
HIGH TORQUE HYBRID



TECHNICAL DATA

CHARACTERISTICS

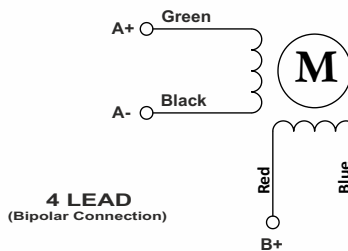
- Step Angle - 1.8°
- Step Angle Accuracy - ± 3 Arc Minute
- Insulation Class - H
- Ambient Temperature - (- 20°C to + 50°C)
- Temperature Rise - 80°C Max. (Rated Current Phase 2 ON)
- Insulation Resistance 100 M Ohms Min.500 VDC
- Dielectric Strength 500 VAC For One Minute
- Shaft Radial Play 0.02 Max. Play (450 G Load)
- Shaft Axial Play 0.08 Max. Play (450 G Load)
- Max.Radial Force 28 N (20MM From Front Flange)

SPECIFICATION

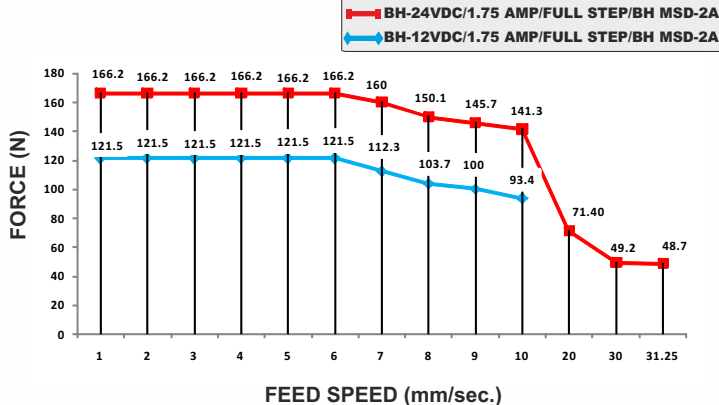
BH 42 SH 47- 1704 LA(250/300/450)
(M8X1.25)

MODEL		Bipolar
1	Rated Voltage	V 2.8
2	Current / Phase	A 1.7
3	Resistance / Phase	± 10% Ω 1.7
4	Inductance / Phase	± 20% mH 2.5
5	Holding Torque	Nm 0.44
6	Rotor Inertia	G-CM ² 91.03
7	Weight	KG. 0.475
8	No of Lead	N ^o 4
9	Operating Voltage	VDC 12 - 24
10	Linear Step size - 6.25 micron per full step	

Wiring Diagram



DRIVE SET



Bholanath Precision Engineering Pvt.Ltd.

11,Kembros Ind.Estate , Sonapur Lane , Bhandup (W),Mumbai - 400078.

Telefax/Phone : 25662856/25664338/67993260 Email : support@bholanath.in

Mobile No : 9920903825/9821671733/9930514603/9819515543/9323166582.

SPECIFICATION SHEET

Bholanath

STEPPER MOTOR

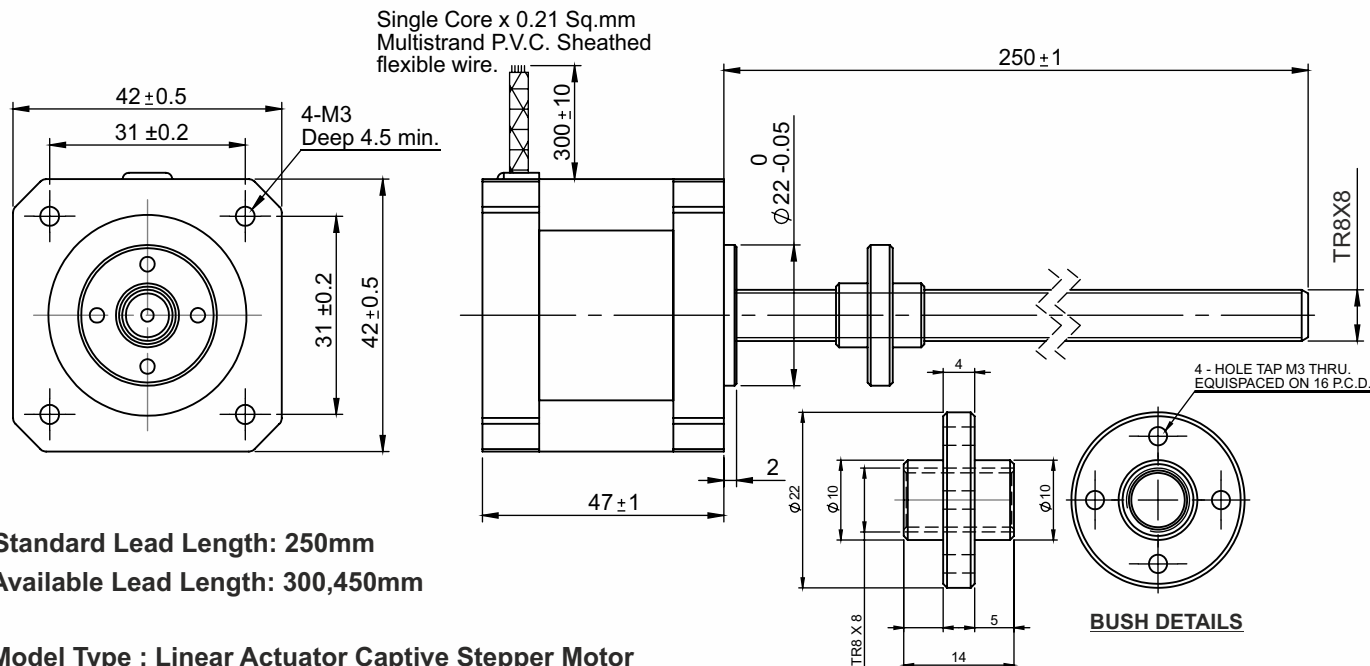
BH 42 SH 47 - 1704 LA (250/300/450)

(TR8 X 8)

HIGH TORQUE HYBRID



COMMITTED TO PRECISION



TECHNICAL DATA

CHARACTERISTICS

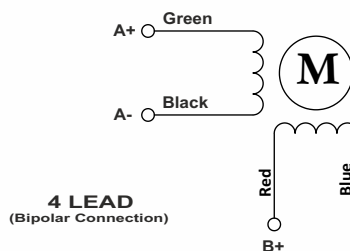
Step Angle - 1.8°
Step Angle Accuracy - ± 3 Arc Minute
Insulation Class - H
Ambient Temperature - (- 20°C to + 50°C)
Temperature Rise - 80°C Max. (Rated Current Phase 2 ON)
Insulation Resistance 100 M Ohms Min.500 VDC
Dielectric Strength 500 VAC For One Minute
Shaft Radial Play 0.02 Max. Play (450 G Load)
Shaft Axial Play 0.08 Max. Play (450 G Load)
Max.Radial Force 28 N (20MM From Front Flange)

SPECIFICATION

BH 42 SH 47- 1704 LA(250/300/450)
(TR8X8)

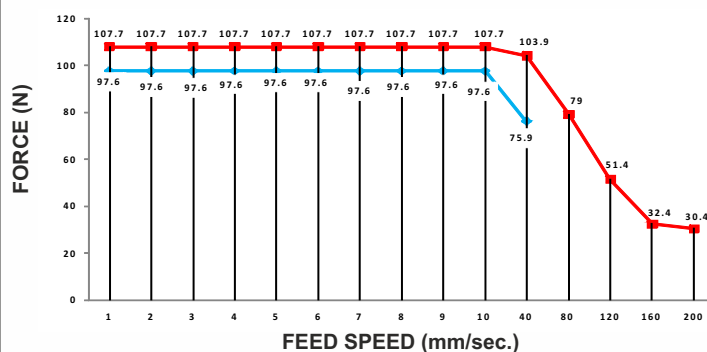
	MODEL		Bipolar
1	Rated Voltage	V	2.8
2	Current / Phase	A	1.7
3	Resistance / Phase	± 10% Ω	1.7
4	Inductance / Phase	± 20% mH	2.5
5	Holding Torque	N m	0.44
6	Rotor Inertia	G-CM ²	91.03
7	Weight	KG.	0.475
8	No of Lead	N ^o	4
9	Operating Voltage	VDC	12 - 24
10	Linear Step size - 40 micron per full step		

Wiring Diagram



DRIVE SET

— BH-24VDC/1.75 AMP/FULL STEP/BH MSD-2A
— BH-12VDC/1.75 AMP/FULL STEP/BH MSD-2A



BHOLANATH COOL STEPPERS™

Bholanath Precision Engineering Pvt.Ltd.

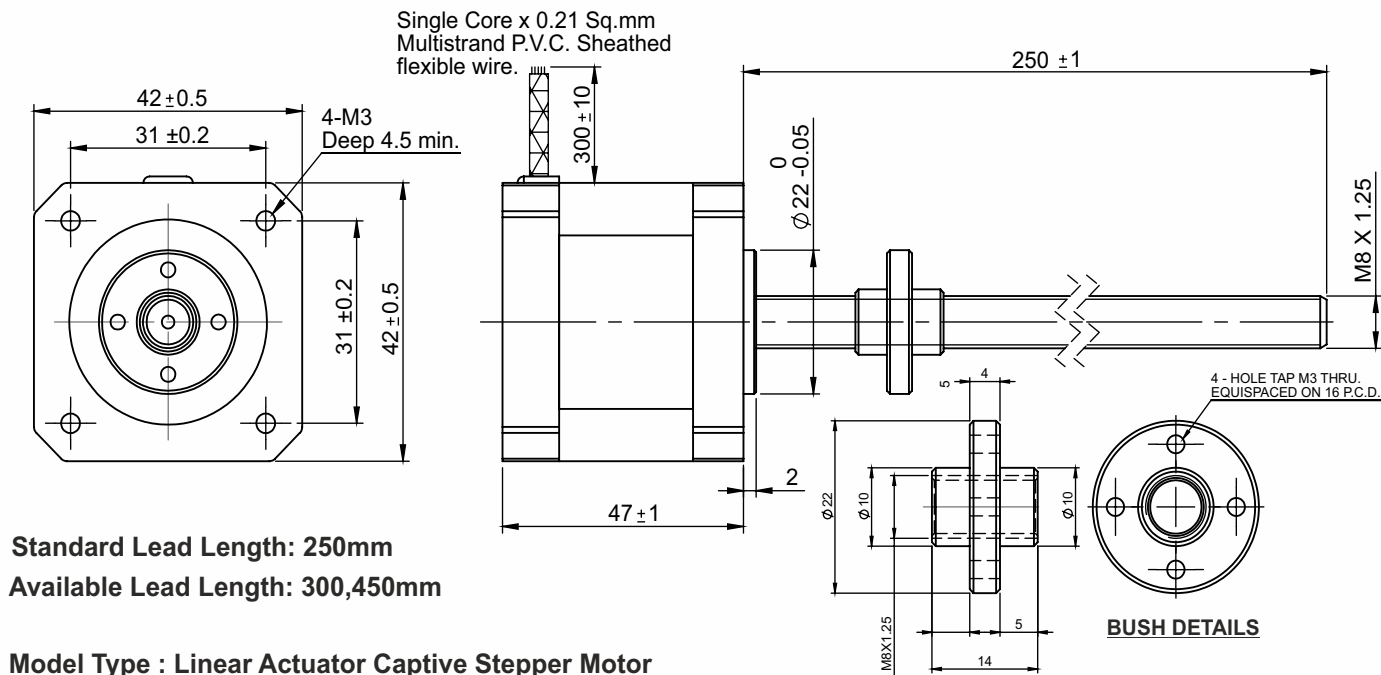
11,Kembros Ind.Estate , Sonapur Lane , Bhandup (W),Mumbai - 400078.

Telefax/Phone : 25662856/25664338/67993260 Email : support@bholanath.in

Mobile No : 9920903825/9821671733/9930514603/9819515543/9323166582.

SPECIFICATION SHEET
Bholanath

STEPPER MOTOR
BH 42 SH 47-1504 LA(250/300/450)
(M8X1.25)
HIGH TORQUE HYBRID



TECHNICAL DATA

CHARACTERISTICS

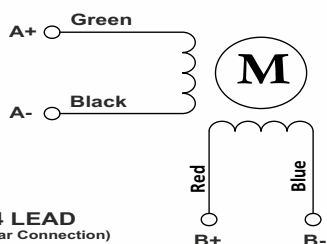
Step Angle - 1.8°
Step Angle Accuracy - ± 3 Arc Minute
Insulation Class - H
Ambient Temperature - (- 20°C to + 50°C)
Temperature Rise - 80°C Max. (Rated Current Phase 2 ON)
Insulation Resistance 100 M Ohms Min.500 VDC
Dielectric Strength 500 VAC For One Minute
Shaft Radial Play 0.02 Max. Play (450 G Load)
Shaft Axial Play 0.08 Max. Play (450 G Load)
Max.Radial Force 28 N (20MM From Front Flange)

SPECIFICATION

BH 42 SH 47- 1504 LA(250/300/450)
(M8X1.25)

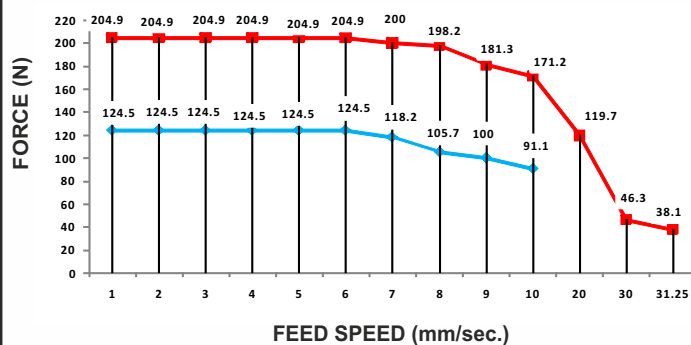
MODEL		Bipolar	
1	Rated Voltage	V	4.2
2	Current / Phase	A	1.5
3	Resistance / Phase	± 10% Ω	2.8
4	Inductance / Phase	± 20% mH	5.7
5	Holding Torque	Nm	0.55
6	Rotor Inertia	G-CM ²	91.03
7	Weight	KG.	0.475
8	No of Lead	N ⁰	4
9	Operating Voltage	VDC	12 - 24
10	Linear Step size - 6.25 micron per full step		

Wiring Diagram



DRIVE SET

— BH-24VDC/1.5 AMP/FULL STEP/BH MSD-2A
— BH-12VDC/1.5 AMP/FULL STEP/BH MSD-2A



COMMITTED TO PRECISION

BHOLANATH COOL STEPPERS™

Bholanath Precision Engineering Pvt.Ltd.

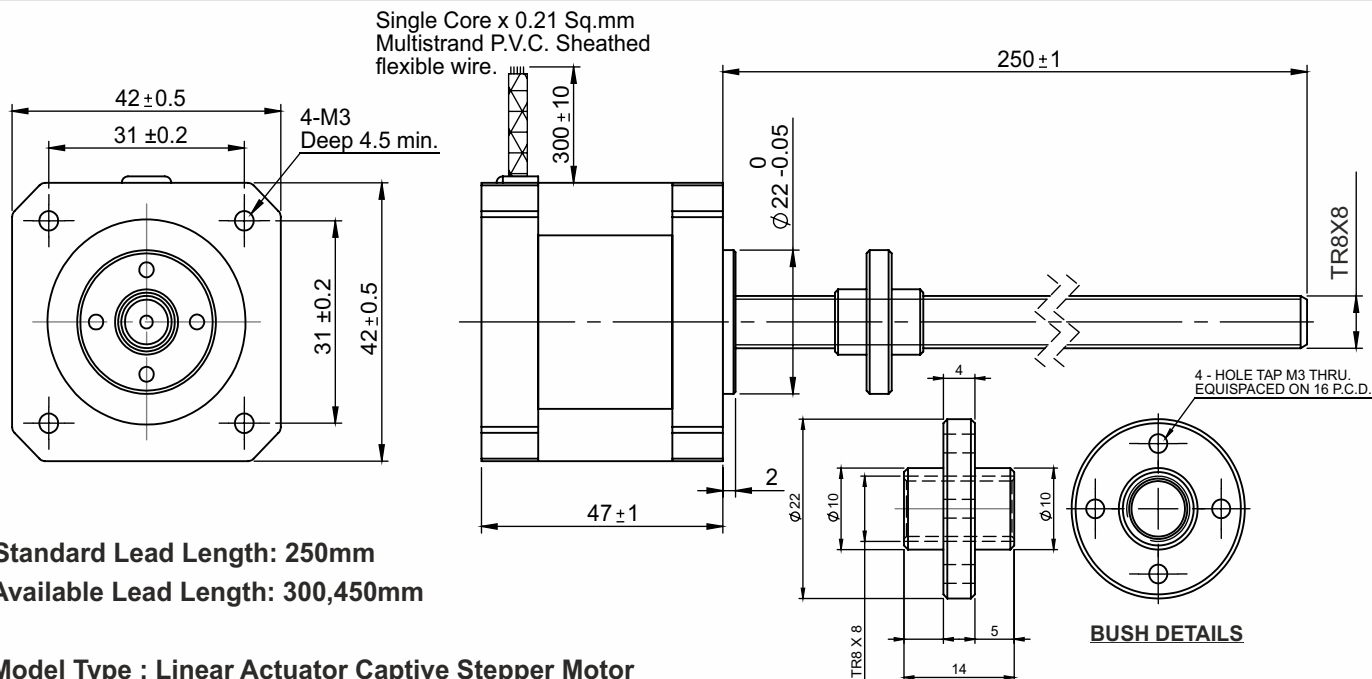
11,Kembros Ind.Estate , Sonapur Lane , Bhandup (W),Mumbai - 400078.

Telefax/Phone : 25662856/25664338/67993260 Email : support@bholanath.in

Mobile No : 9920903825/9821671733/9930514603/9819515543/9323166582.

SPECIFICATION SHEET
Bholanath

STEPPER MOTOR
BH 42 SH 47-1504 LA(250/300/450)
(TR8 X 8)
HIGH TORQUE HYBRID



TECHNICAL DATA

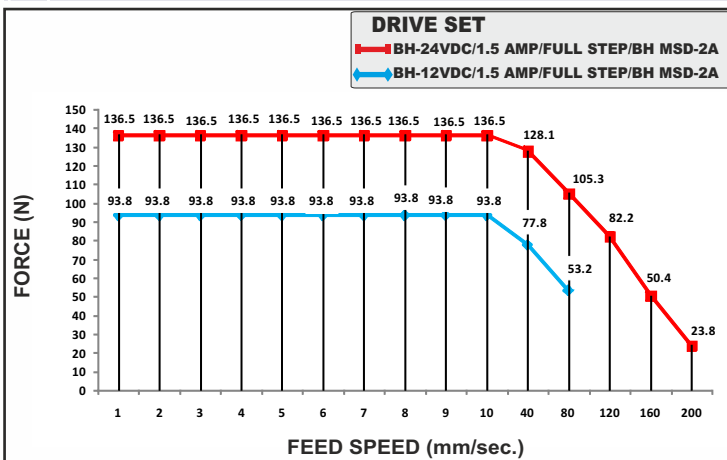
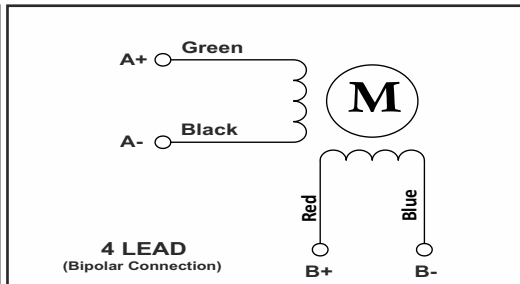
CHARACTERISTICS

Step Angle - 1.8°
Step Angle Accuracy - ± 3 Arc Minute
Insulation Class - H
Ambient Temperature - (- 20°C to + 50°C)
Temperature Rise - 80°C Max. (Rated Current Phase 2 ON)
Insulation Resistance 100 M Ohms Min.500 VDC
Dielectric Strength 500 VAC For One Minute
Shaft Radial Play 0.02 Max. Play (450 G Load)
Shaft Axial Play 0.08 Max. Play (450 G Load)
Max.Radial Force 28 N (20MM From Front Flange)

SPECIFICATION BH 42 SH 47- 1504 LA (250/300/450) (TR8X8)

MODEL		Bipolar
1	Rated Voltage	V 4.2
2	Current / Phase	A 1.5
3	Resistance / Phase	± 10% Ω 2.8
4	Inductance / Phase	± 20% mH 5.7
5	Holding Torque	Nm 0.55
6	Rotor Inertia	G-CM ² 91.03
7	Weight	KG. 0.475
8	No of Lead	N° 4
9	Operating Voltage	VDC 12 - 24
10	Linear Step size - 40 micron per full step	

Wiring Diagram



Bholanath Precision Engineering Pvt.Ltd.

COMMITTED TO PRECISION

11,Kembros Ind.Estate , Sonapur Lane , Bhandup (W),Mumbai - 400078.

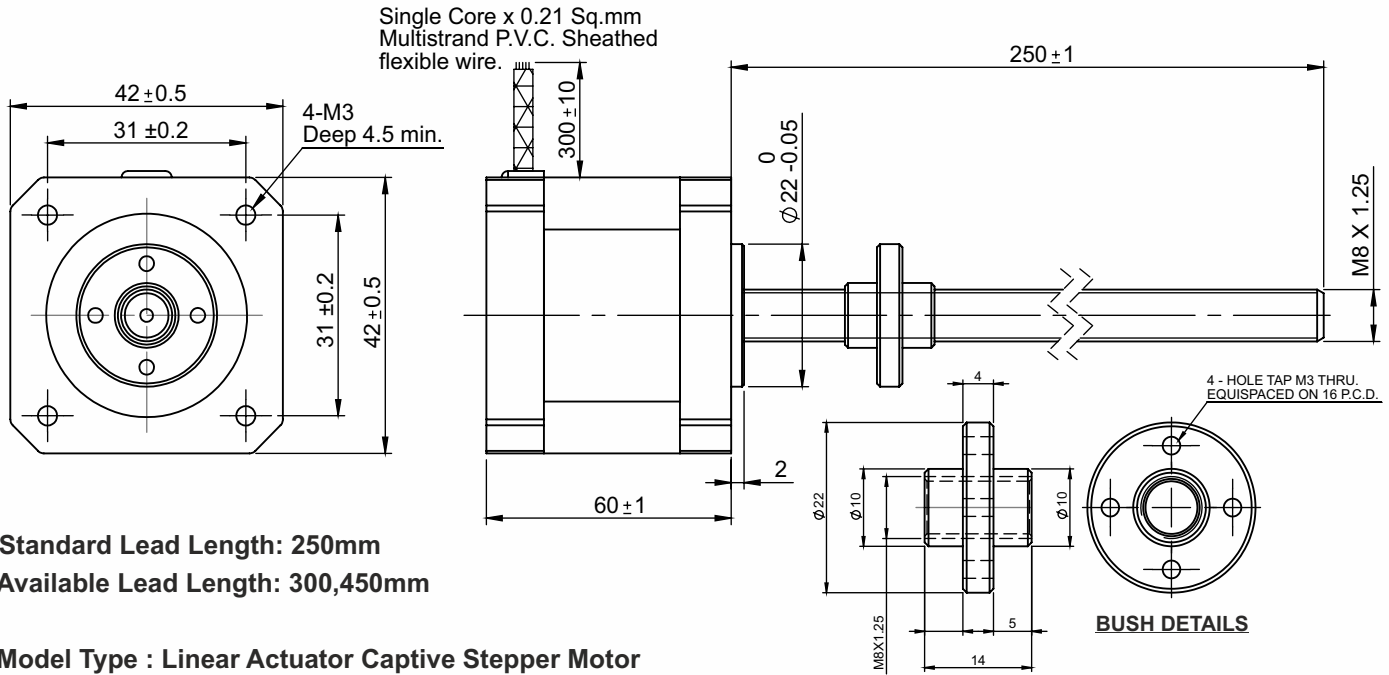
BHOLANATH COOL STEPPERS™

Telefax/Phone : 25662856/25664338/67993260 Email : support@bholanath.in

Mobile No : 9920903825/9821671733/9930514603/9819515543/9323166582.

SPECIFICATION SHEET
Bholanath

STEPPER MOTOR
BH 42 SH 60 - 0854 LA(250/300/450)
(M8X1.25)
HIGH TORQUE HYBRID



TECHNICAL DATA

CHARACTERISTICS

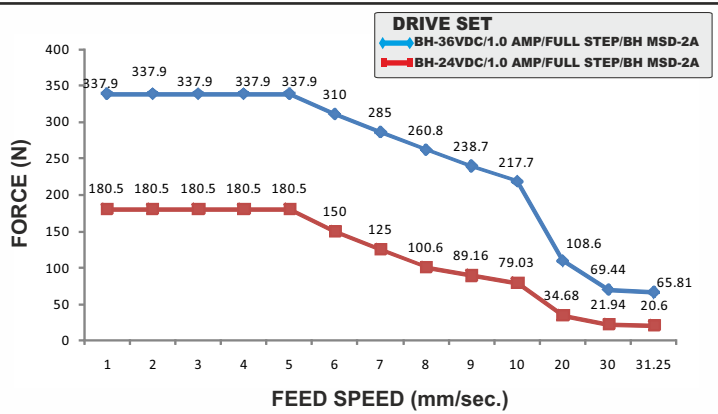
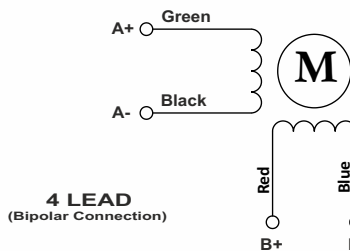
- Step Angle - 1.8°
- Step Angle Accuracy - ± 3 Arc Minute
- Insulation Class - H
- Ambient Temperature - (- 20°C to + 50°C)
- Temperature Rise - 80°C Max. (Rated Current Phase 2 ON)
- Insulation Resistance 100 M Ohms Min.500 VDC
- Dielectric Strength 500 VAC For One Minute
- Shaft Radial Play 0.02 Max. Play (450 G Load)
- Shaft Axial Play 0.08 Max. Play (450 G Load)
- Max.Radial Force 28 N (20MM From Front Flange)

SPECIFICATION

BH 42 SH 60 - 0854 LA(250/300/450)
(M8X1.25)

	MODEL		Bipolar
1	Rated Voltage	V	10.2
2	Current / Phase	A	0.85
3	Resistance / Phase	± 10% Ω	12
4	Inductance / Phase	± 20% mH	18
5	Holding Torque	Nm	0.9
6	Rotor Inertia	G-CM ²	126.75
7	Weight	KG.	0.590
8	No of Lead	N ^o	4
9	Operating Voltage	VDC	24 - 50
10	Linear Step size - 6.25 micron per full step		

Wiring Diagram

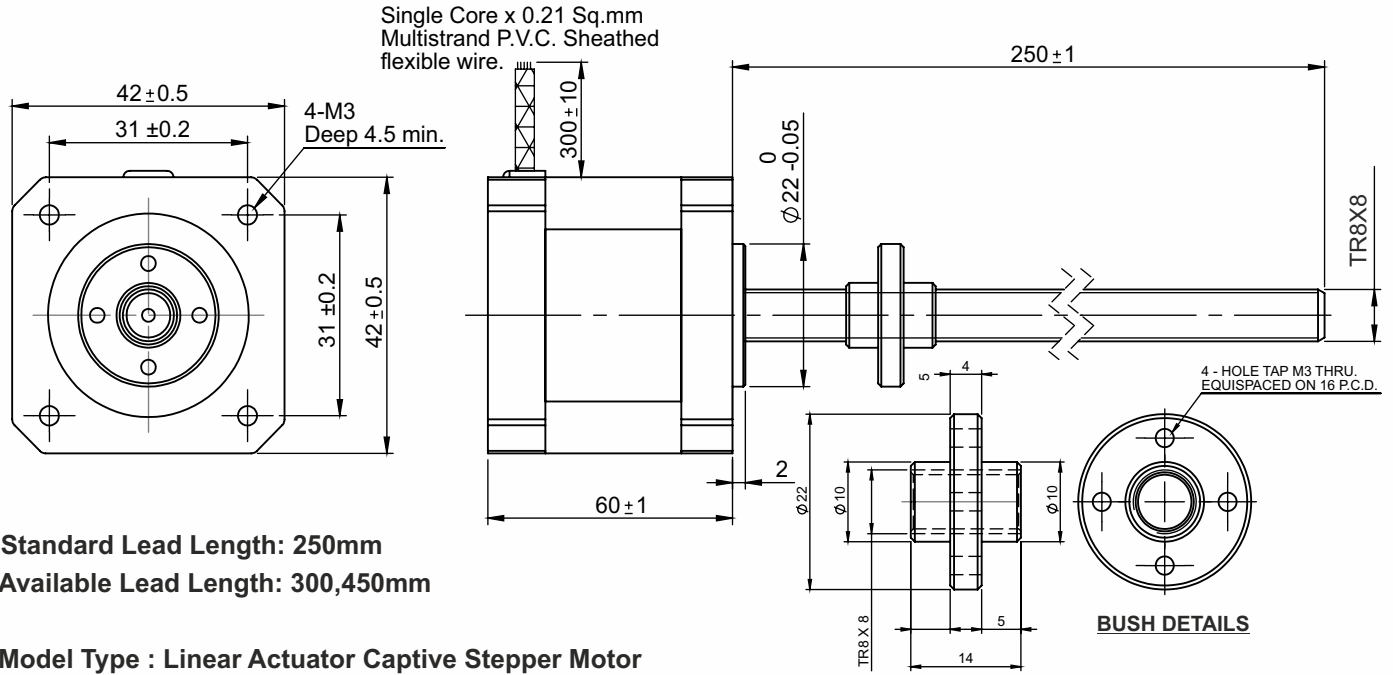


Bholanath Precision Engineering Pvt.Ltd.

11,Kembros Ind.Estate , Sonapur Lane , Bhandup (W),Mumbai - 400078.
Telefax/Phone : 25662856/25664338/67993260 Email : support@bholanath.in
Mobile No : 9920903825/9821671733/9930514603/9819515543/9323166582.

SPECIFICATION SHEET
Bholanath

STEPPER MOTOR
BH 42 SH 60 - 0854 LA(250/300/450)
(TR8 X 8)
HIGH TORQUE HYBRID



TECHNICAL DATA

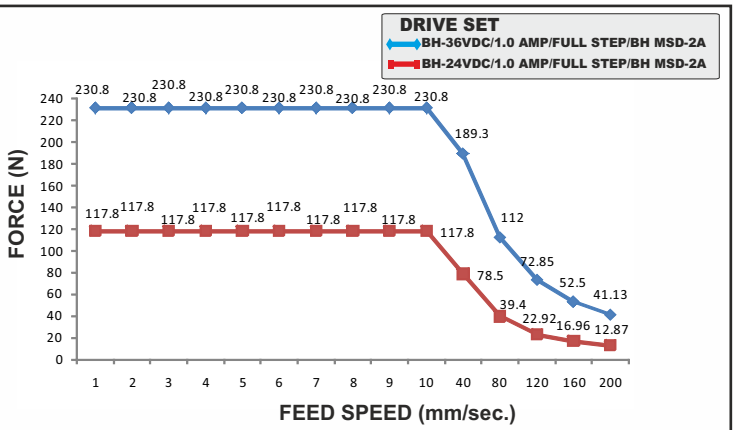
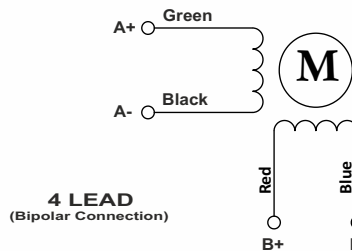
CHARACTERISTICS

- Step Angle - 1.8°
- Step Angle Accuracy - ± 3 Arc Minute
- Insulation Class - H
- Ambient Temperature - (- 20°C to + 50°C)
- Temperature Rise - 80°C Max. (Rated Current Phase 2 ON)
- Insulation Resistance 100 M Ohms Min.500 VDC
- Dielectric Strength 500 VAC For One Minute
- Shaft Radial Play 0.02 Max. Play (450 G Load)
- Shaft Axial Play 0.08 Max. Play (450 G Load)
- Max.Radial Force 28 N (20MM From Front Flange)

SPECIFICATION BH 42 SH 60 - 0854 LA(250/300/450) (TR8X8)

MODEL		Bipolar
1	Rated Voltage	V 10.2
2	Current / Phase	A 0.85
3	Resistance / Phase	± 10% Ω 12
4	Inductance / Phase	± 20% mH 18
5	Holding Torque	Nm 0.9
6	Rotor Inertia	G-CM ² 126.75
7	Weight	KG. 0.590
8	No of Lead	N ⁰ 4
9	Operating Voltage	VDC 24 - 50
10	Linear Step size - 40 micron per full step	

Wiring Diagram

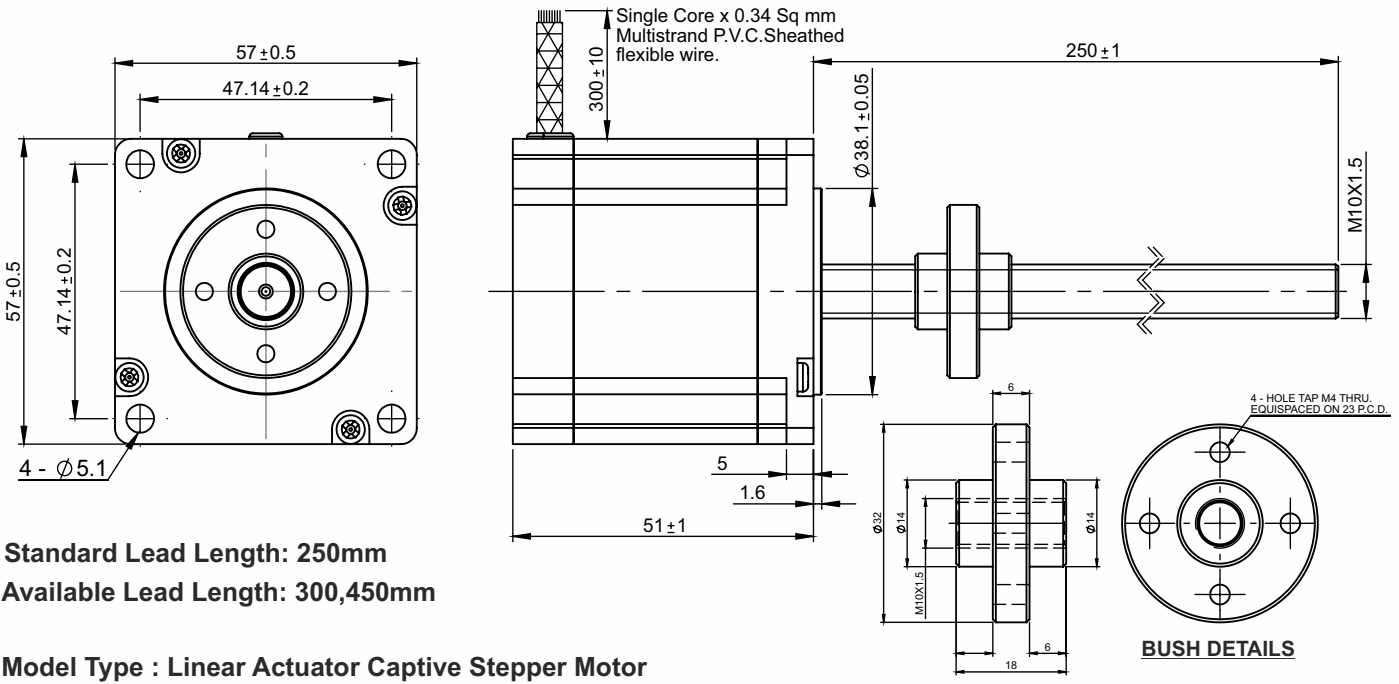


Bholanath Precision Engineering Pvt.Ltd.

11,Kembros Ind.Estate , Sonapur Lane , Bhandup (W),Mumbai - 400078.
 Telefax/Phone : 25662856/25664338/67993260 Email : support@bholanath.in
 Mobile No : 9920903825/9821671733/9930514603/9819515543/9323166582.

SPECIFICATION SHEET
Bholanath

STEPPER MOTOR
BH 57 SH 51 - 2804 LA(250/300/450)
(M10x1.5)
HIGH TORQUE HYBRID



TECHNICAL DATA

CHARACTERISTICS

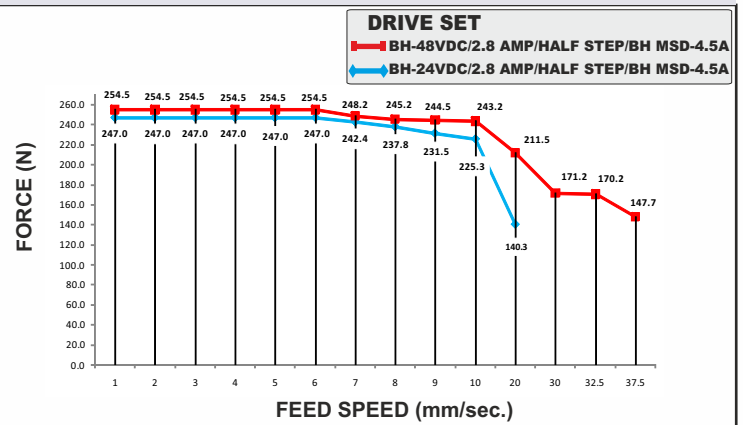
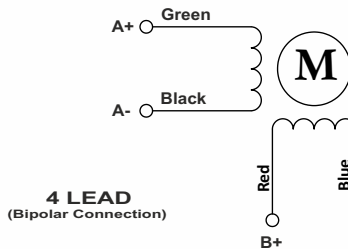
- Step Angle - 1.8°
- Step Angle Accuracy - ± 3 Arc Minute
- Insulation Class - H
- Ambient Temperature - (- 20°C to + 50°C)
- Temperature Rise - 80°C Max. (Rated Current Phase 2 ON)
- Insulation Resistance 100 M Ohms Min.500 VDC
- Dielectric Strength 500 VAC For One Minute
- Shaft Radial Play 0.02 Max. Play (450 G Load)
- Shaft Axial Play 0.08 Max. Play (450 G Load)
- Max.Radial Force 75 N (20MM From Front Flange)

SPECIFICATION

BH 57 SH 51- 2804 LA(250/300/450) (M10X1.5)

	MODEL		Bipolar
1	Rated Voltage	V	2.46
2	Current / Phase	A	2.8
3	Resistance / Phase	± 10% Ω	0.88
4	Inductance / Phase	± 20% mH	2.2
5	Holding Torque	Nm	1.01
6	Rotor Inertia	G-CM ²	251.62
7	Weight	KG.	0.850
8	No of Lead	N ⁰	4
9	Operating Voltage	VDC	24 - 48
10	Linear Step size - 7.5 micron per full step		

Wiring Diagram

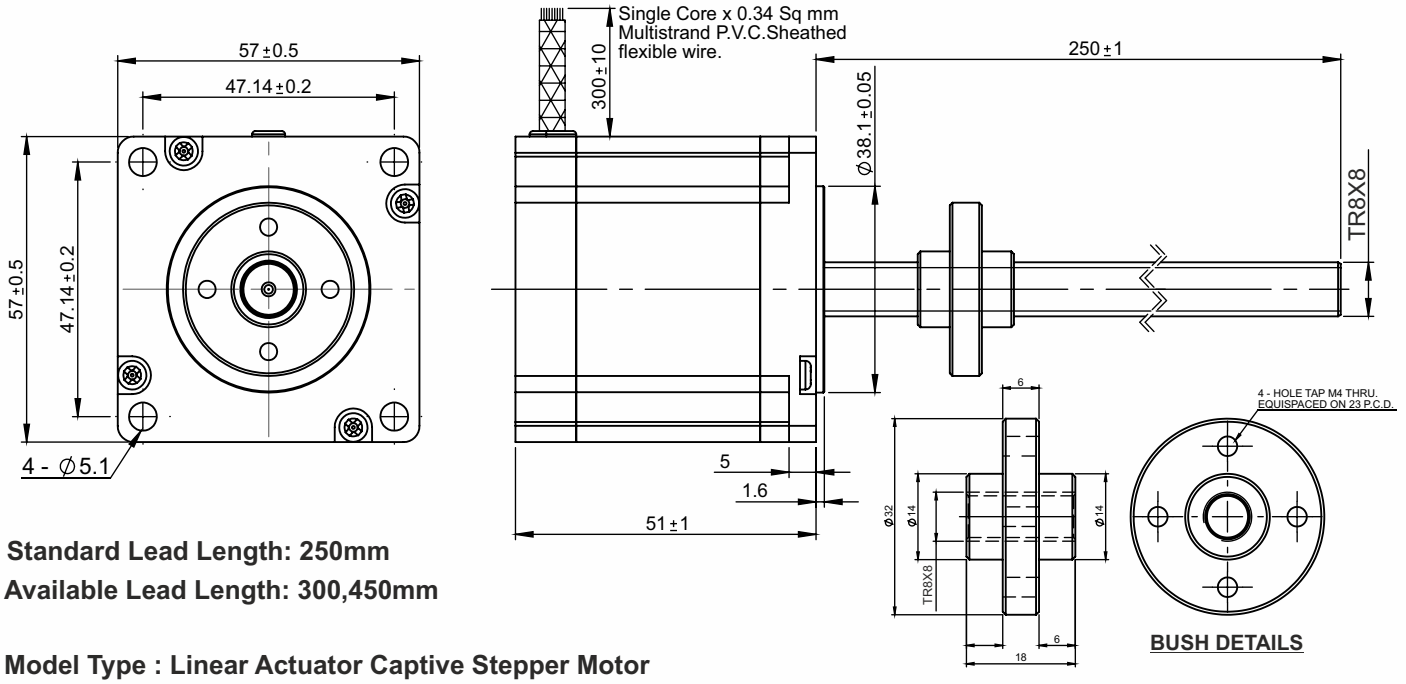


Bholanath Precision Engineering Pvt.Ltd.

11,Kembros Ind.Estate , Sonapur Lane , Bhandup (W),Mumbai - 400078.
Telefax/Phone : 25662856/25664338/67993260 Email : support@bholanath.in
Mobile No : 9920903825/9821671733/9930514603/9819515543/9323166582.

SPECIFICATION SHEET
Bholanath

STEPPER MOTOR
BH 57 SH 51 - 2804 LA(250/300/450)
(TR8 X 8)
HIGH TORQUE HYBRID



TECHNICAL DATA

CHARACTERISTICS

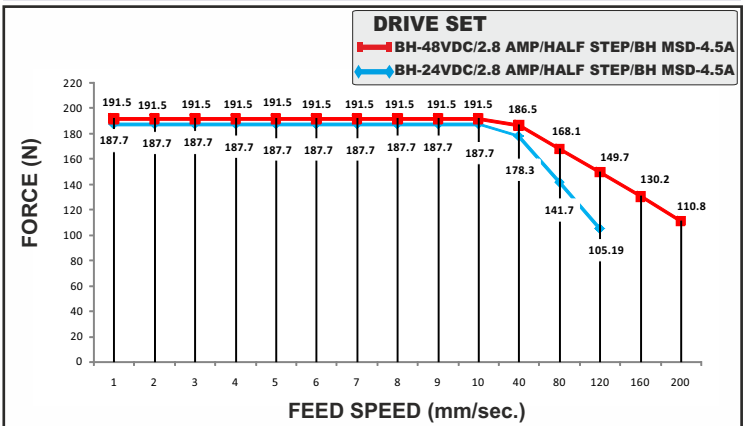
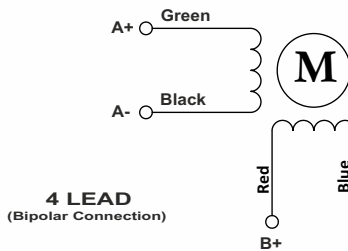
- Step Angle - 1.8°
- Step Angle Accuracy - ± 3 Arc Minute
- Insulation Class - H
- Ambient Temperature - (- 20°C to + 50°C)
- Temperature Rise - 80°C Max. (Rated Current Phase 2 ON)
- Insulation Resistance 100 M Ohms Min.500 VDC
- Dielectric Strength 500 VAC For One Minute
- Shaft Radial Play 0.02 Max. Play (450 G Load)
- Shaft Axial Play 0.08 Max. Play (450 G Load)
- Max.Radial Force 75 N (20MM From Front Flange)

SPECIFICATION

BH 57 SH 51- 2804 LA(250/300/450) (TR8X8)

	MODEL		Bipolar
1	Rated Voltage	V	2.46
2	Current / Phase	A	2.8
3	Resistance / Phase	± 10% Ω	0.88
4	Inductance / Phase	± 20% mH	2.2
5	Holding Torque	Nm	1.01
6	Rotor Inertia	G-CM ²	251.62
7	Weight	KG.	0.850
8	No of Lead	N ⁰	4
9	Operating Voltage	VDC	24 - 48
10	Linear Step size - 40 micron per full step		

Wiring Diagram

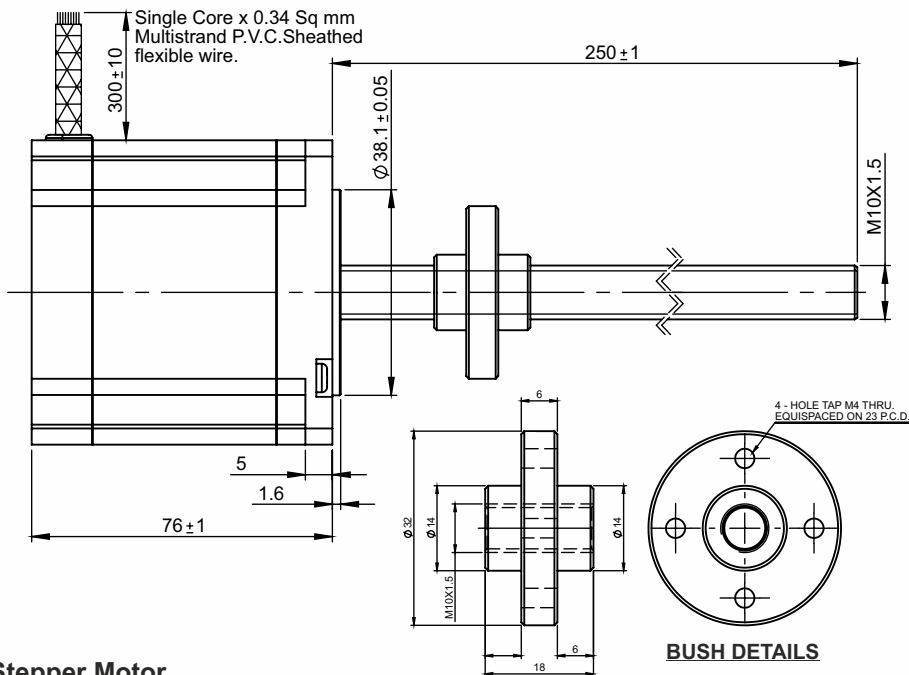
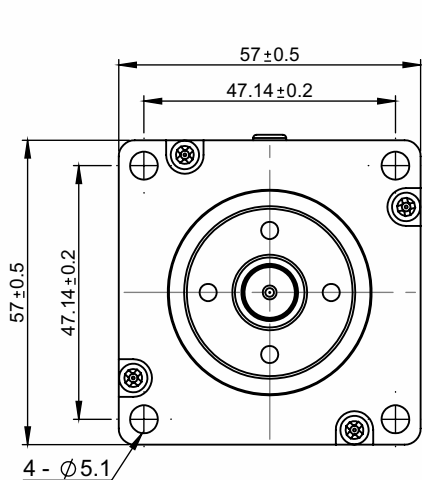


Bholanath Precision Engineering Pvt.Ltd.

11,Kembros Ind.Estate , Sonapur Lane , Bhandup (W),Mumbai - 400078.
Telefax/Phone : 25662856/25664338/67993260 Email : support@bholanath.in
Mobile No : 9920903825/9821671733/9930514603/9819515543/9323166582.

SPECIFICATION SHEET
Bholanath

STEPPER MOTOR
Bh57 SH 76 - 2804LA(250/300/450)
(M10X1.5)
HIGH TORQUE HYBRID



Standard Lead Length: 250mm
Available Lead Length: 300,450mm

Model Type : Linear Actuator Captive Stepper Motor

TECHNICAL DATA

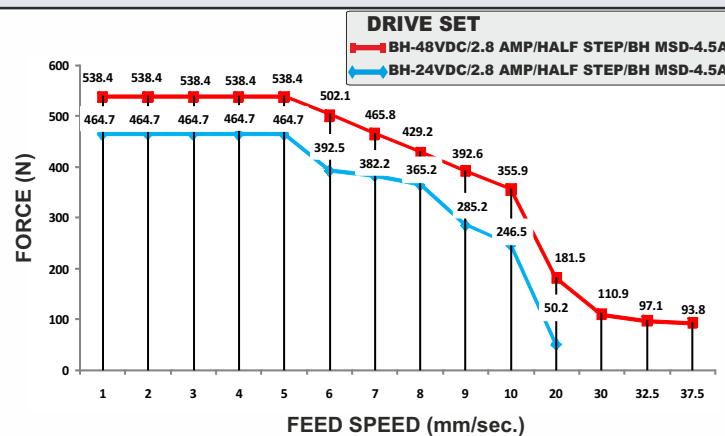
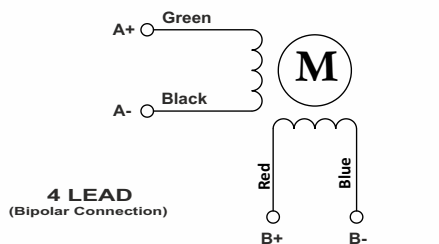
CHARACTERISTICS

- Step Angle - 1.8°
- Step Angle Accuracy - ± 3 Arc Minute
- Insulation Class - H
- Ambient Temperature - (- 20°C to + 50°C)
- Temperature Rise - 80°C Max. (Rated Current Phase 2 ON)
- Insulation Resistance
100 M Ohms Min.500 VDC
- Dielectric Strength
500 VAC For One Minute
- Shaft Radial Play
0.02 Max. Play (450 G Load)
- Shaft Axial Play
0.08 Max. Play (450 G Load)
- Max.Radial Force
75 N (20MM From Front Flange)

SPECIFICATION BH 57 SH 76- 2804 LA(250/300/450) (M10x1.5)

MODEL		Bipolar
1	Rated Voltage	V 3.36
2	Current / Phase	A 2.8
3	Resistance / Phase	± 10% Ω 1.2
4	Inductance / Phase	± 20% mH 4.5
5	Holding Torque	Nm 1.89
6	Rotor Inertia	G-CM ² 486.84
7	Weight	KG. 1.250
8	No of Lead	N ⁰ 4
9	Operating Voltage	VDC 24 - 48
10	Linear Step size - 7.5 micron per full step	

Wiring Diagram

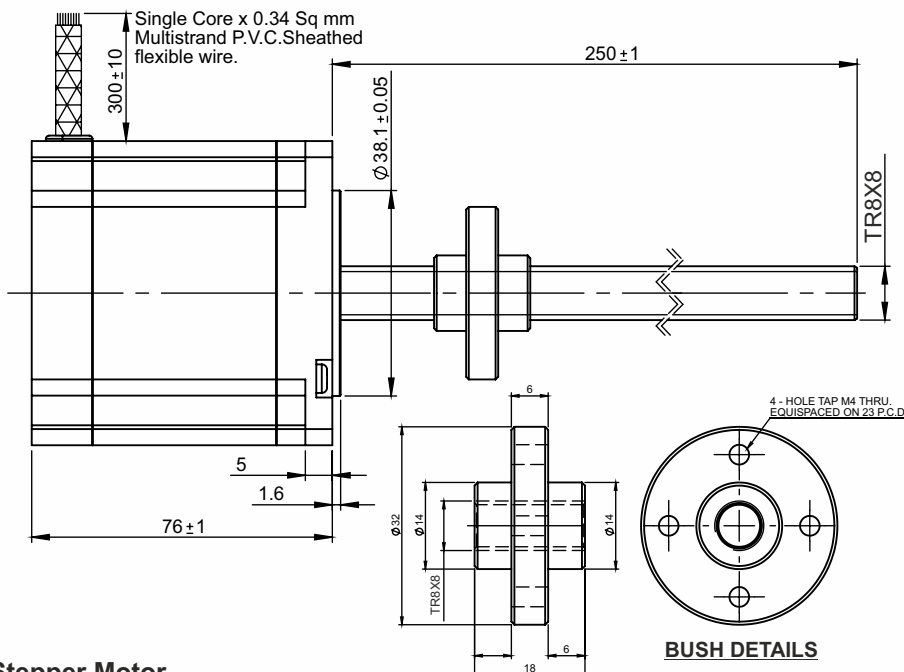
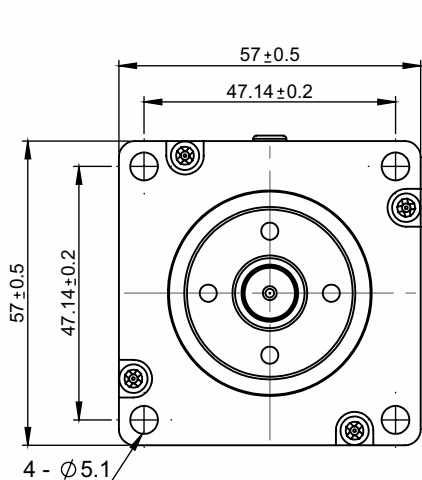


Bholanath Precision Engineering Pvt.Ltd.

11,Kembros Ind.Estate , Sonapur Lane , Bhandup (W),Mumbai - 400078.
Telefax/Phone : 25662856/25664338/67993260 Email : support@bholanath.in
Mobile No : 9920903825/9821671733/9930514603/9819515543/9323166582.

SPECIFICATION SHEET
Bholanath

STEPPER MOTOR
BH 57 SH 76 - 2804 LA(250/300/450)
(TR8 X 8)
HIGH TORQUE HYBRID



Standard Lead Length: 250mm
Available Lead Length: 300,450mm

Model Type : Linear Actuator Captive Stepper Motor

TECHNICAL DATA

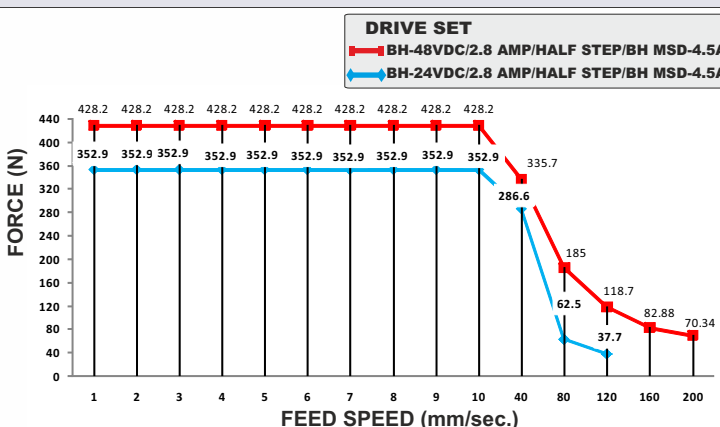
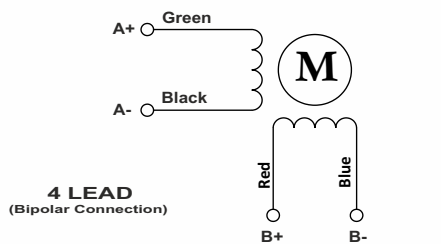
CHARACTERISTICS

- Step Angle - 1.8°
- Step Angle Accuracy - ± 3 Arc Minute
- Insulation Class - H
- Ambient Temperature - (- 20°C to + 50°C)
- Temperature Rise - 80°C Max. (Rated Current Phase 2 ON)
- Insulation Resistance
100 M Ohms Min.500 VDC
- Dielectric Strength
500 VAC For One Minute
- Shaft Radial Play
0.02 Max. Play (450 G Load)
- Shaft Axial Play
0.08 Max. Play (450 G Load)
- Max.Radial Force
75 N (20MM From Front Flange)

SPECIFICATION BH 57 SH 76- 2804 LA (250/300/450) (TR8X8)

MODEL		Bipolar
1	Rated Voltage	V 3.36
2	Current / Phase	A 2.8
3	Resistance / Phase	± 10% Ω 1.2
4	Inductance / Phase	± 20% mH 4.5
5	Holding Torque	Nm 1.89
6	Rotor Inertia	G-CM ² 486.84
7	Weight	KG. 1.250
8	No of Lead	N° 4
9	Operating Voltage	VDC 24 - 48
10	Linear Step size - 40 micron per full step	

Wiring Diagram

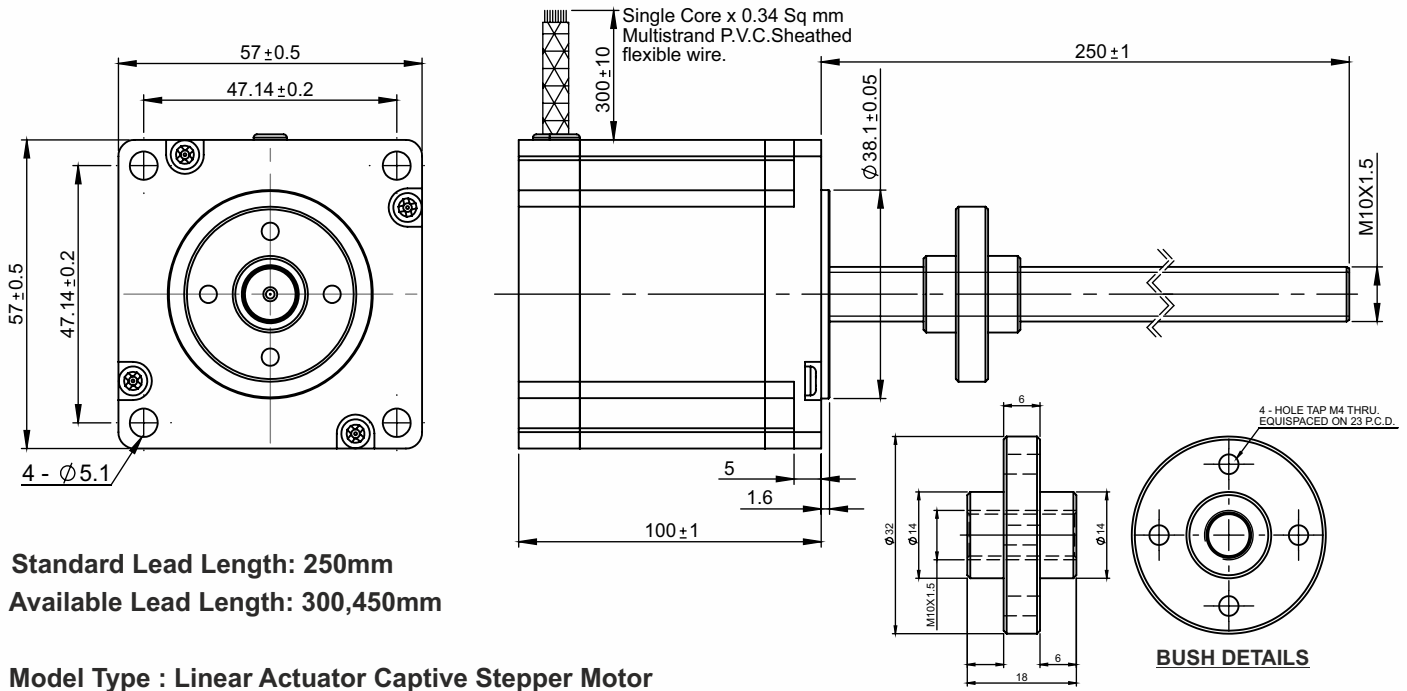


Bholanath Precision Engineering Pvt.Ltd.

11,Kembros Ind.Estate , Sonapur Lane , Bhandup (W),Mumbai - 400078.
Telefax/Phone : 25662856/25664338/67993260 Email : support@bholanath.in
Mobile No : 9920903825/9821671733/9930514603/9819515543/9323166582.

SPECIFICATION SHEET
Bholanath

STEPPER MOTOR
BH 57 SH 100 - 3004 LA(250/300/450)
(M10x1.5)
HIGH TORQUE HYBRID



TECHNICAL DATA

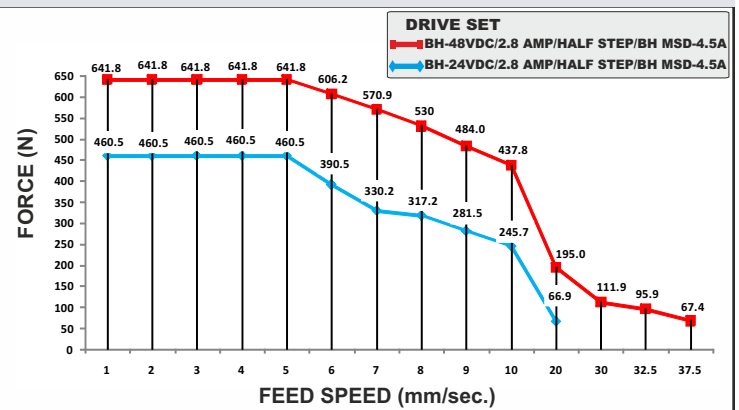
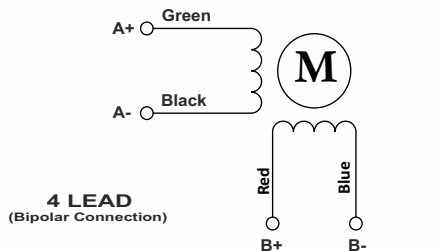
CHARACTERISTICS

- Step Angle - 1.8°
- Step Angle Accuracy - ± 3 Arc Minute
- Insulation Class - H
- Ambient Temperature - (- 20°C to + 50°C)
- Temperature Rise - 80°C Max. (Rated Current Phase 2 ON)
- Insulation Resistance 100 M Ohms Min.500 VDC
- Dielectric Strength 500 VAC For One Minute
- Shaft Radial Play 0.02 Max. Play (450 G Load)
- Shaft Axial Play 0.08 Max. Play (450 G Load)
- Max.Radial Force 75 N (20MM From Front Flange)

SPECIFICATION BH 57 SH 100- 3004 LA(250/300/450) (M10X1.5)

	MODEL		Bipolar
1	Rated Voltage	V	4.65
2	Current / Phase	A	3
3	Resistance / Phase	± 10% Ω	1.55
4	Inductance / Phase	± 20% mH	6.75
5	Holding Torque	Nm	2.5
6	Rotor Inertia	G-CM ²	705.9
7	Weight	KG.	1.7
8	No of Lead	N ^o	4
9	Operating Voltage	VDC	24 - 48
10	Linear Step size - 7.5 micron per full step		

Wiring Diagram

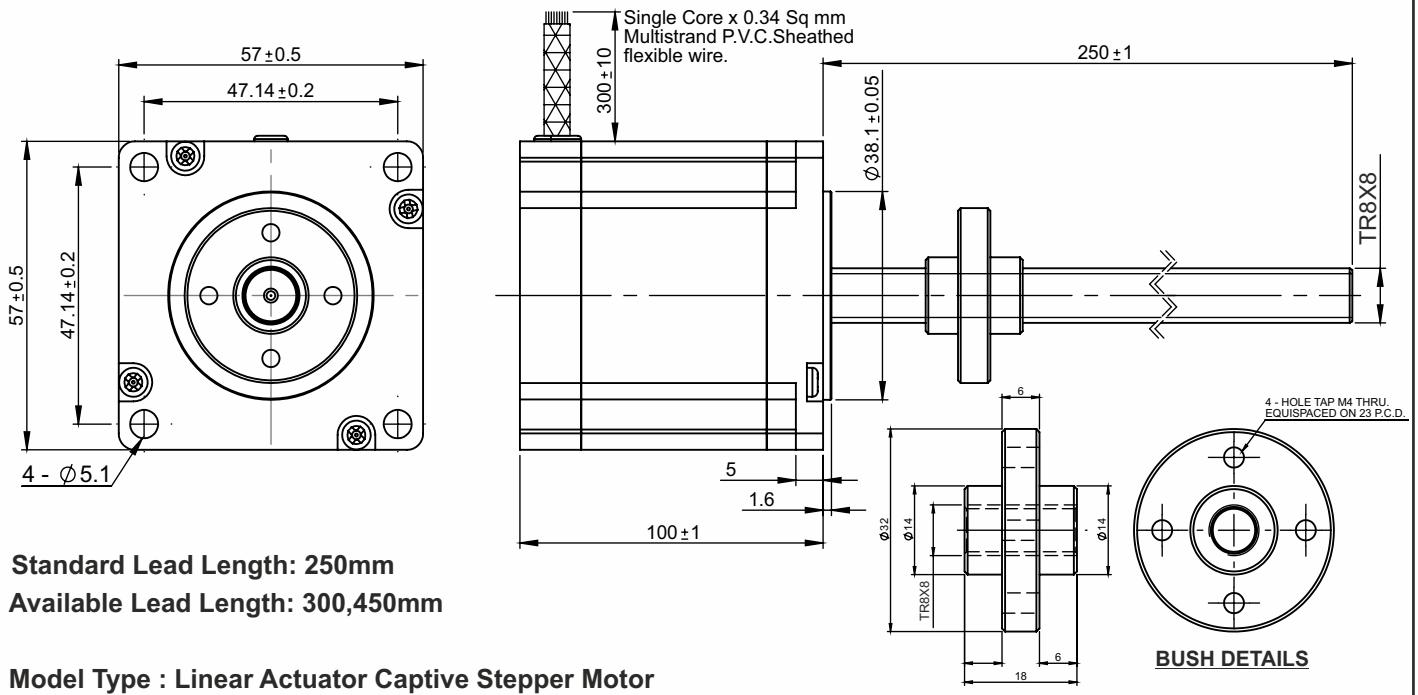


Bholanath Precision Engineering Pvt.Ltd.

11,Kembros Ind.Estate , Sonapur Lane , Bhandup (W),Mumbai - 400078.
 Telefax/Phone : 25662856/25664338/67993260 Email : support@bholanath.in
 Mobile No : 9920903825/9821671733/9930514603/9819515543/9323166582.

SPECIFICATION SHEET
Bholanath

STEPPER MOTOR
BH 57 SH 100 - 3004 LA(250/300/450)
(TR8 X 8)
HIGH TORQUE HYBRID



TECHNICAL DATA

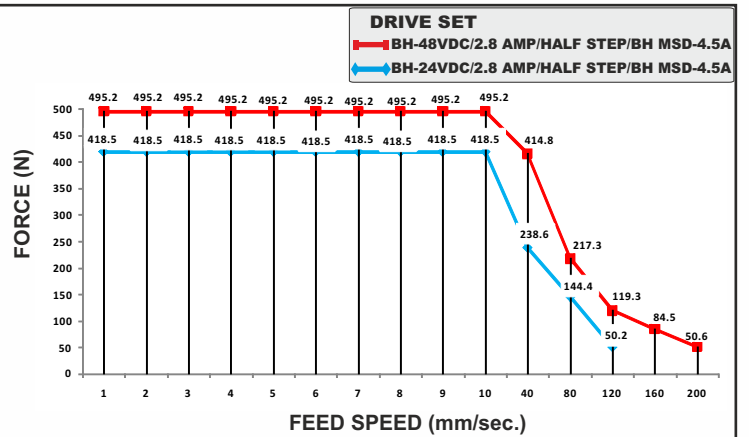
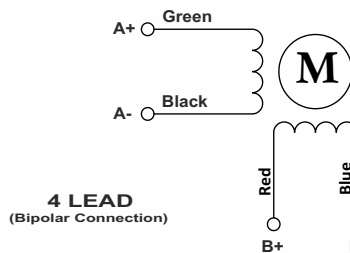
CHARACTERISTICS

- Step Angle - 1.8°
- Step Angle Accuracy - ± 3 Arc Minute
- Insulation Class - H
- Ambient Temperature - (- 20°C to + 50°C)
- Temperature Rise - 80°C Max. (Rated Current Phase 2 ON)
- Insulation Resistance 100 M Ohms Min.500 VDC
- Dielectric Strength 500 VAC For One Minute
- Shaft Radial Play 0.02 Max. Play (450 G Load)
- Shaft Axial Play 0.08 Max. Play (450 G Load)
- Max.Radial Force 75 N (20MM From Front Flange)

SPECIFICATION BH 57 SH 100- 3004 LA (250/300/450) (TR8X8)

MODEL		Bipolar
1	Rated Voltage	V 4.65
2	Current / Phase	A 3
3	Resistance / Phase	± 10% Ω 1.55
4	Inductance / Phase	± 20% mH 6.75
5	Holding Torque	Nm 2.5
6	Rotor Inertia	G-CM ² 705.9
7	Weight	KG. 1.7
8	No of Lead	N ⁰ 4
9	Operating Voltage	VDC 24 - 48
10	Linear Step size - 40 micron per full step	

Wiring Diagram

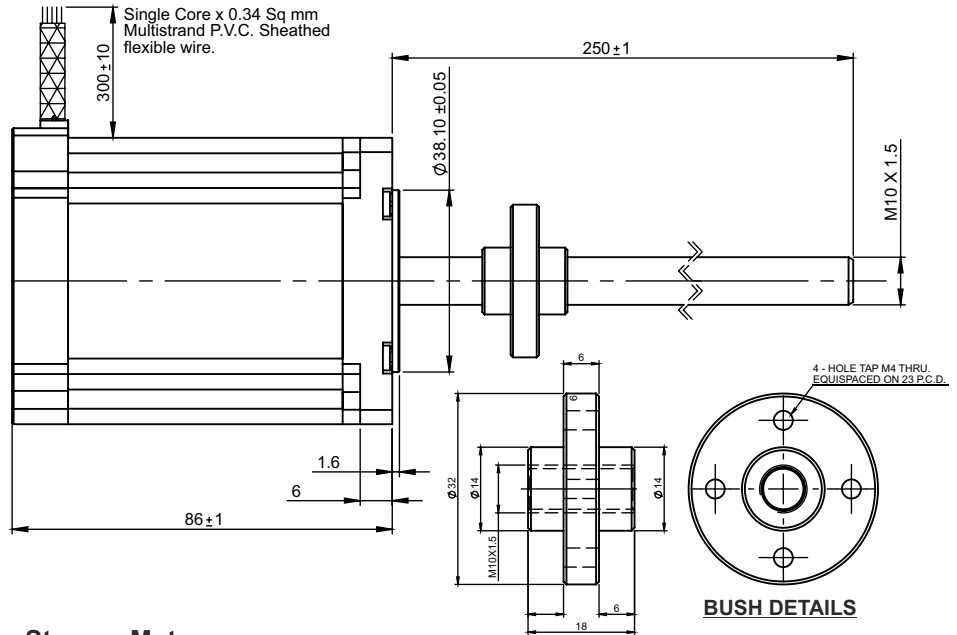
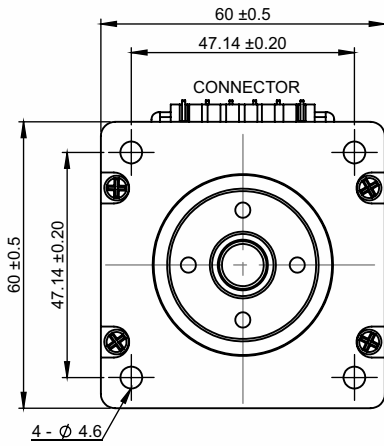


Bholanath Precision Engineering Pvt.Ltd.

11,Kembros Ind.Estate , Sonapur Lane , Bhandup (W),Mumbai - 400078.
Telefax/Phone : 25662856/25664338/67993260 Email : support@bholanath.in
Mobile No : 9920903825/9821671733/9930514603/9819515543/9323166582.

SPECIFICATION SHEET
Bholanath

STEPPER MOTOR
BH60 SH 86 - 2804 LA(250/300/450)
(M10X1.5)
HIGH TORQUE HYBRID



Standard Lead Length: 250mm
Available Lead Length: 300,450mm

Model Type : Linear Actuator Captive Stepper Motor

TECHNICAL DATA

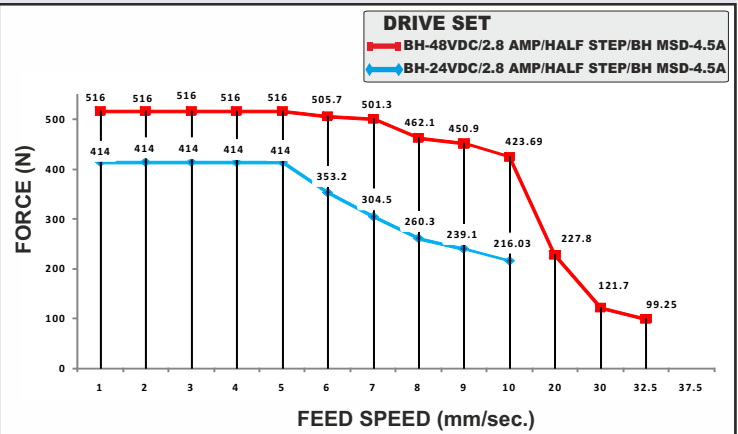
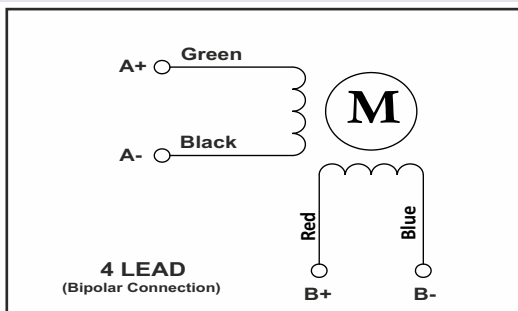
CHARACTERISTICS

- Step Angle - 1.8⁰
- Step Angle Accuracy - ± 3 Arc Minute
- Insulation Class - H
- Ambient Temperature - (- 20°C to + 50°C)
- Temperature Rise - 80°C Max.
(Rated Current Phase 2 ON)
- Insulation Resistance
100 M Ohms Min.500 VDC
- Dielectric Strength
500 VAC For One Minute
- Shaft Radial Play
0.02 Max. Play (450 G Load)
- Shaft Axial Play
0.08 Max. Play (450 G Load)
- Max.Radial Force
75 N (20MM From Front Flange)

SPECIFICATION BH 60 SH 86- 2804 LA(250/300/450)
(M10X1.25)

	MODEL		Bipolar
1	Rated Voltage	V	4.48
2	Current / Phase	A	2.8
3	Resistance / Phase	± 10% Ω	1.6
4	Inductance / Phase	± 20% mH	6.5
5	Holding Torque	Nm	3.1
6	Rotor Inertia	G-CM ²	966.64
7	Weight	KG.	1.6
8	No of Lead	N ⁰	4
9	Operating Voltage	VDC	24 - 48
10	Linear Step size - 7.5 micron per full step		

Wiring Diagram

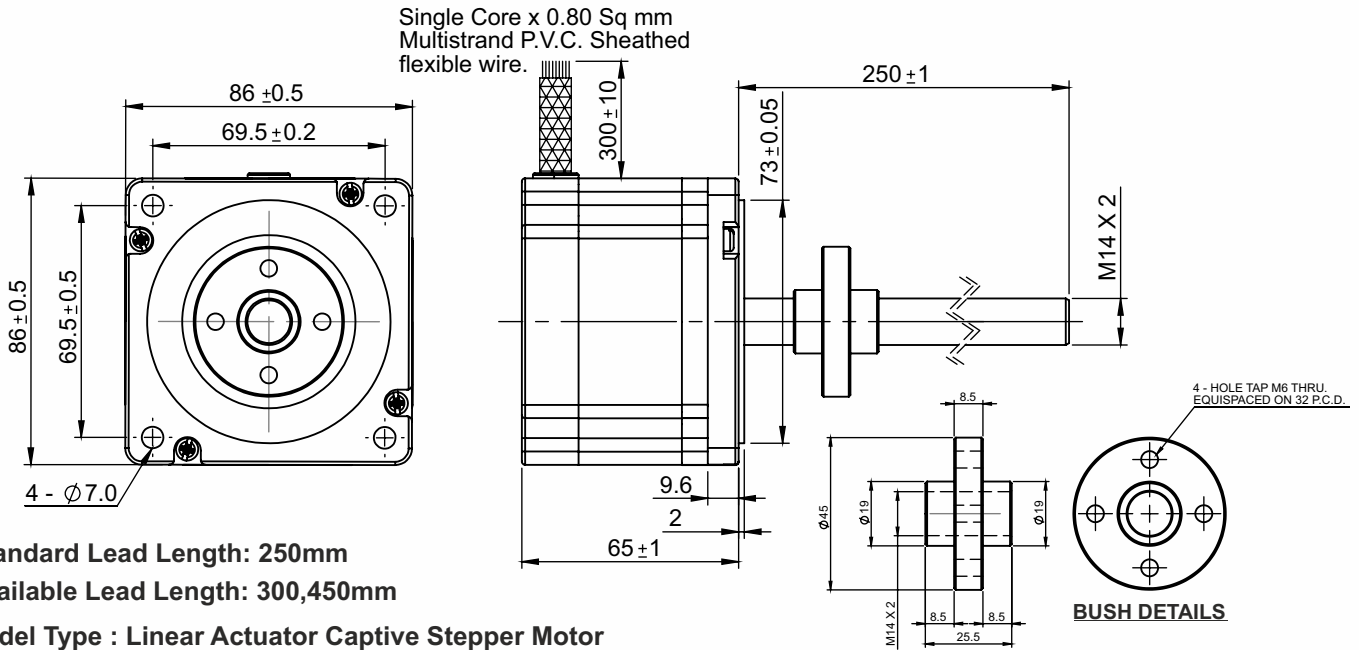


Bholanath Precision Engineering Pvt.Ltd.

11,Kembros Ind.Estate , Sonapur Lane , Bhandup (W),Mumbai - 400078.
Telefax/Phone : 25662856/25664338/67993260 Email : support@bholanath.in
Mobile No : 9920903825/9821671733/9930514603/9819515543/9323166582.

SPECIFICATION SHEET
Bholanath

STEPPER MOTOR
BH86 SH 65 - 6004 LA(250/300/450)
(M14X2)
HIGH TORQUE HYBRID



TECHNICAL DATA

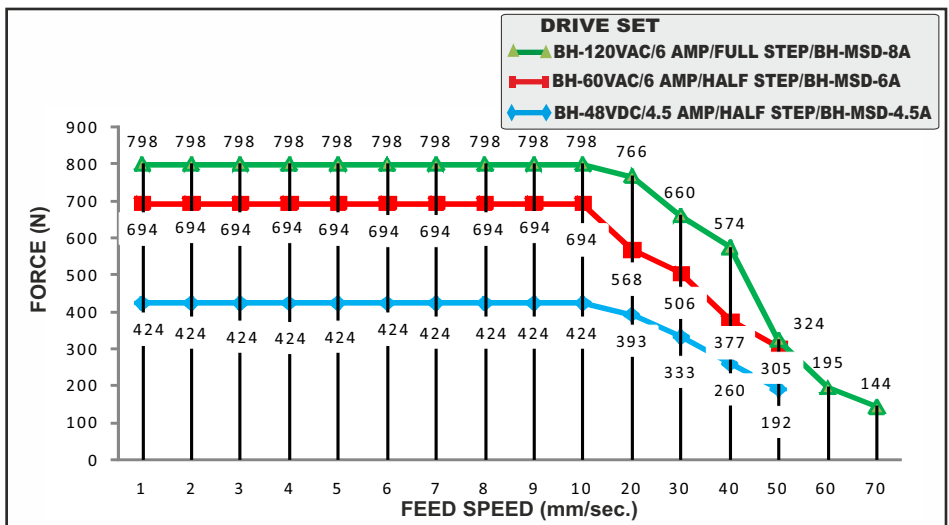
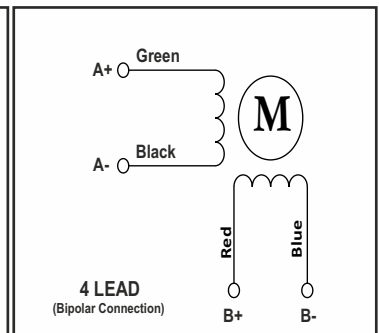
Characteristics

- Step Angle: 1.8°
- Step Angle Accuracy: ± 3 Arc Minute
- Insulation Class: H
- Ambient Temperature: - 20°C + 50°C
- Temperature Rise - 80° C Max. (Rated Current Phase 2 ON)
- Insulation Resistance: 100 M Ohms Min.500 VDC
- Dielectric Strength: 500 VAC For One Minute
- Shaft Radial Play: 0.02 Max. Play (450 G Load)
- Shaft Axial Play: 0.08 Max. Play (450 G Load)
- Max.Radial Force: 220 N (20MM From Front Flange)

SPECIFICATION BH86SH65-6004 LA(250/300/450) (M14X2)

	MODEL		Bipolar
1	Rated Voltage	V	1.86
2	Current / Phase	A	6
3	Resistance / Phase ± 10%	Ω	0.31
4	Inductance / Phase ± 20%	mH	1.35
5	Holding Torque	Nm	3.4
6	Rotor Inertia	G-CM ²	1470.8
7	Weight	KG.	2.2
8	No of Lead	N ^o	4
9	Operating Voltage	VDC	48 - 170
9	Operating Voltage	VAC	34 - 120
10	Linear Step size - 10 micron per full step		

Wiring Diagram



Bholanath Precision Engineering Pvt.Ltd.

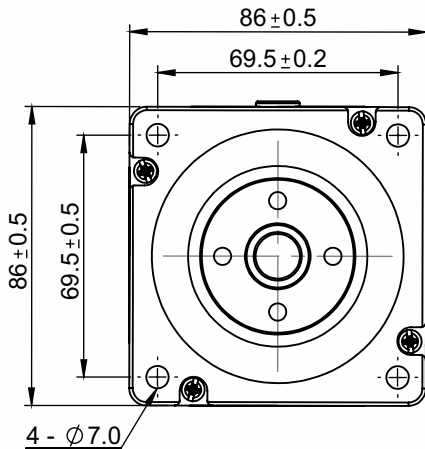
11,Kembros Ind.Estate , Sonapur Lane , Bhandup (W),Mumbai - 400078.
Telefax/Phone : 25662856/25664338/67993260 Email : support@bholanath.in
Mobile No : 9920903825/9821671733/9930514603/9819515543/9323166582.

SPECIFICATION SHEET
Bholanath

STEPPER MOTOR
BH86 SH 80 - 5504 LA(250/300/450)
(M14X2)
HIGH TORQUE HYBRID

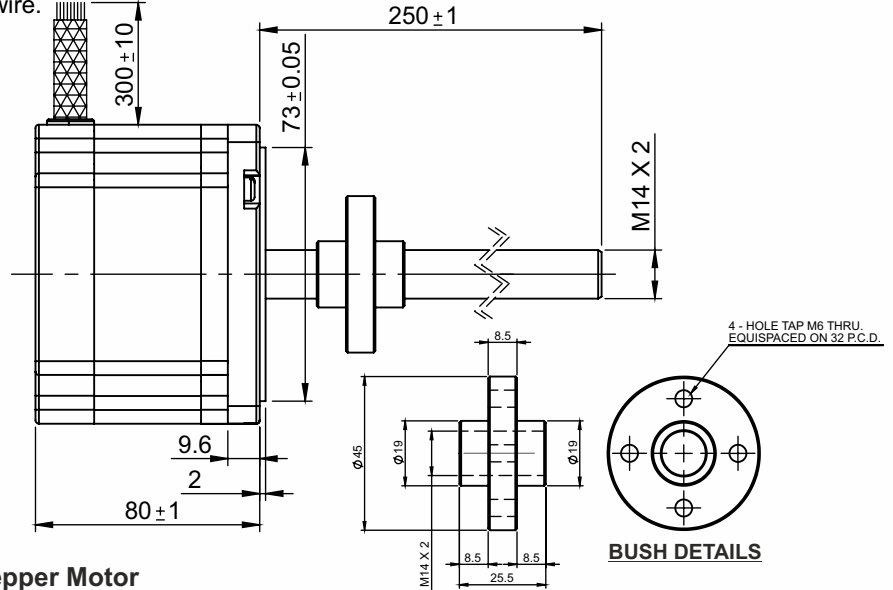


Single Core x 0.80 Sq mm
Multistrand P.V.C. Sheathed
flexible wire.



Standard Lead Length: 250mm
Available Lead Length: 300,450mm

Model Type : Linear Actuator Captive Stepper Motor



TECHNICAL DATA

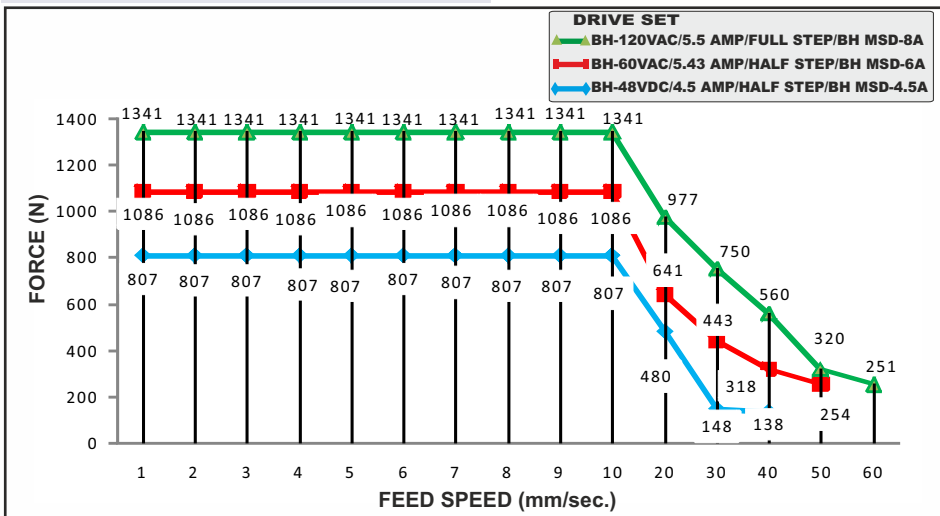
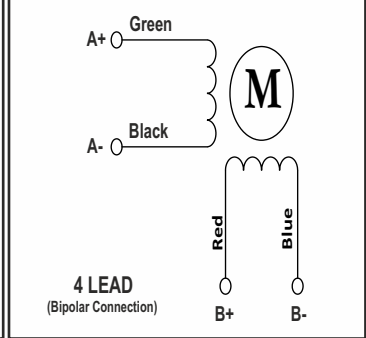
Characteristics

- Step Angle
1.8°
- Step Angle Accuracy
± 3 Arc Minute
- Insulation Class
H
- Ambient Temperature
-20°C + 50°C
- Temperature Rise - 80° C Max.
(Rated Current Phase 2 ON)
- Insulation Resistance
100 M Ohms Min.500 VDC
- Dielectric Strength
500 VAC For One Minute
- Shaft Radial Play
0.02 Max. Play (450 G Load)
- Shaft Axial Play
0.08 Max. Play (450 G Load)
- Max.Radial Force
220 N (20MM From Front Flange)

SPECIFICATION BH86SH65-6004 LA(250/300/450)
(M14X2)

MODEL	Bipolar	
1 Rated Voltage	V	2.31
2 Current / Phase	A	5.5
3 Resistance / Phase ± 10%	Ω	0.42
4 Inductance / Phase ± 20%	mH	2.8
5 Holding Torque	Nm	4.6
6 Rotor Inertia	G-CM ²	2311.87
7 Weight	KG.	2.75
8 No of Lead	N ^o	4
9 Operating Voltage	VDC	48 - 170
10 Operating Voltage	VAC	34 - 120
11 Linear Step size	- 10 micron per full step	

Wiring Diagram

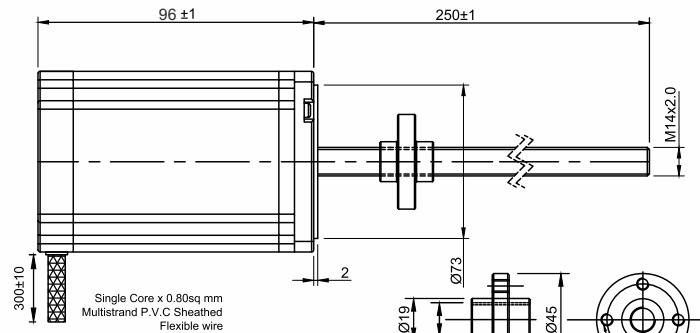
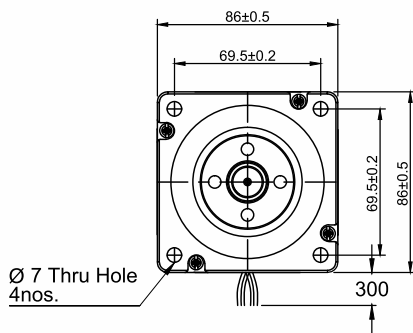


Bholanath Precision Engineering Pvt.Ltd.

11,Kembros Ind.Estate , Sonapur Lane , Bhandup (W),Mumbai - 400078.
Telefax/Phone : 25662856/25664338/67993260 Email : support@bholanath.in
Mobile No : 9920903825/9821671733/9930514603/9819515543/9323166582.

SPECIFICATION SHEET
Bholanath

STEPPER MOTOR
BH86SH96-5504LA(250/300/450)
(M14X2)
HIGH TORQUE HYBRID



Single Core x 0.80 Sq mm
Multistrand P.V.C. Sheathed
Flexible Wire

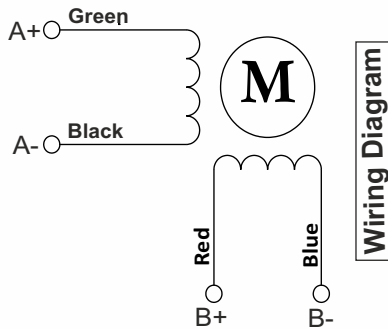
Standard Lead Length: 250mm
Available Lead Length: 300,450mm

BUSH DETAILS

TECHNICAL DATA

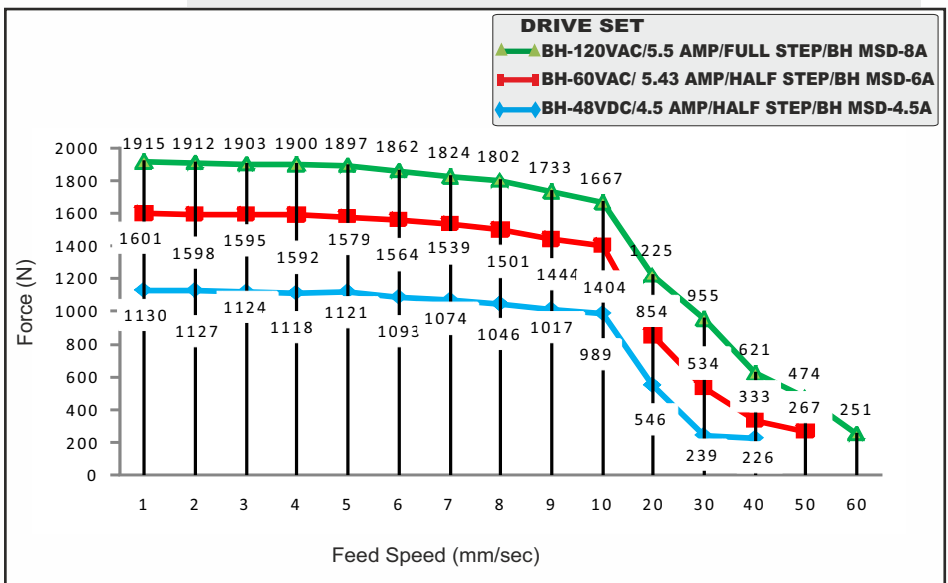
SPECIFICATION BH86SH96 - 5504 LA(250/300/450) (M14X2)

	MODEL		Bipolar
1	Rated Voltage	V	2.7
2	Current / Phase	A	5.5
3	Resistance / Phase	± 10% Ω	0.5
4	Inductance / Phase	± 20% mH	3.5
5	Holding Torque	Nm	7.00
6	Rotor Inertia	G-CM ²	2700
7	Weight	KG.	3.5
8	No of Lead	N ^o	4
9	Operating Voltage	VDC	48 - 170
10	Operating Voltage	VAC	34 - 120
11	Linear Step size - 10 micron per full step		



CHARACTERISTICS

Step Angle - 1.8°
Step Angle Accuracy - ± 3 Arc Minute
Insulation Class - H
Ambient Temperature - - 20°C + 50°C
Temperature Rise - 80°C Max. (Rated Current Phase 2 ON)
Insulation Resistance 100 M Ohms Min.500 VDC
Dielectric Strength 820 VAC For One Minute
Shaft Radial Play 0.02 Max. Play (450 G Load)
Shaft Axial Play 0.08 Max. Play (450 G Load)
Max.Radial Force 220 N (20MM From Front Flange)

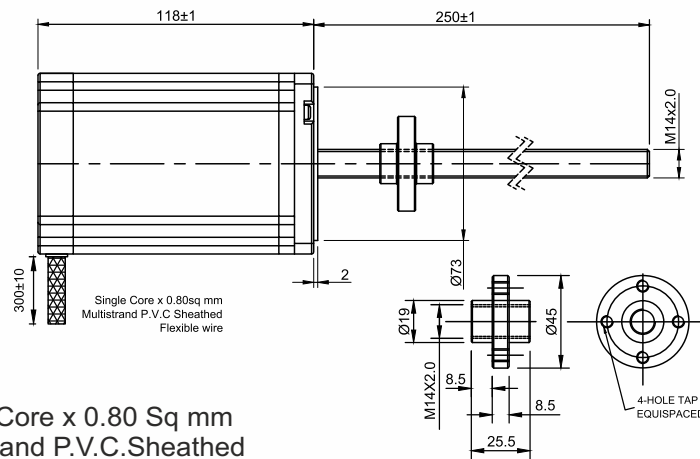
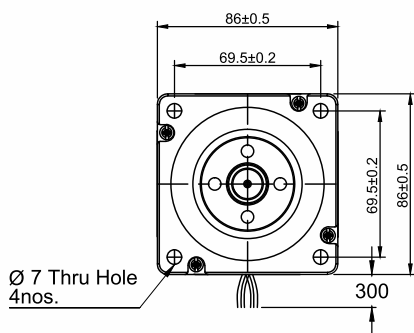


Bholanath Precision Engineering Pvt.Ltd.

11,Kembros Ind.Estate , Sonapur Lane , Bhandup (W),Mumbai - 400078.
Telefax/Phone : 25662856/25664338/67993260 Email : support@bholanath.in
Mobile No : 9920903825/9821671733/9930514603/9819515543/9323166582.

SPECIFICATION SHEET
Bholanath

STEPPER MOTOR
BH86 SH 118 - 6004LA(250/300/450)
(M14X2)
HIGH TORQUE HYBRID

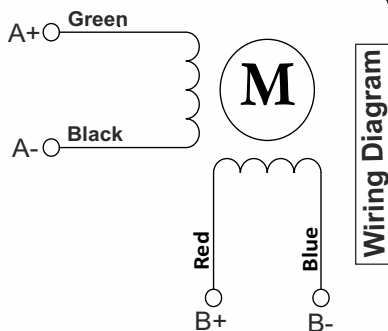


Standard Lead Length: 250mm
Available Lead Length: 300,450mm

Single Core x 0.80 Sq mm
Multistrand P.V.C. Sheathed
Flexibile Wire

BUSH DETAILS

TECHNICAL DATA



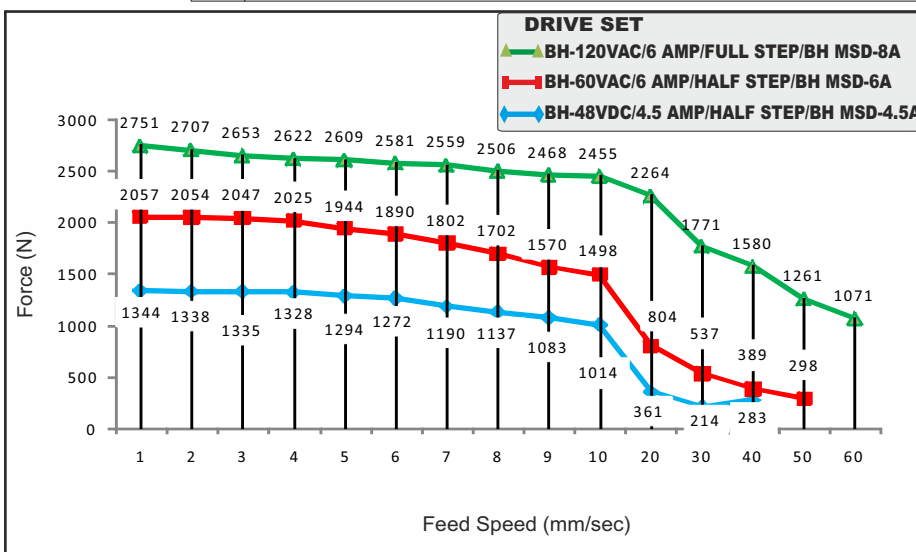
Wiring Diagram

SPECIFICATION BH 86SH 118 - 6004 LA(250/300/450) (M14X2)

	MODEL	Bipolar
1	Rated Voltage	V
2	Current / Phase	A
3	Resistance / Phase	± 10% Ω
4	Inductance / Phase	± 20% mH
5	Holding Torque	Nm
6	Rotor Inertia	G-CM ²
7	Weight	KG.
8	No of Lead	N ⁰
9	Operating Voltage	VDC
10	Operating Voltage	VAC
11	Linear Step size - 10 micron per full step	

CHARACTERISTICS

Step Angle - 1.8°
Step Angle Accuracy - ± 3 Arc Minute
Insulation Class - H
Ambient Temperature -
Temperature Rise - 80°C Max - 20°C + 50°C (Rated Current Phase 2 ON)
Insulation Resistance 100 M Ohms Min.500 VDC
Dielectric Strength 820 VAC For One Minute
Shaft Radial Play 0.02 Max. Play (450 G Load)
Shaft Axial Play 0.08 Max. Play (450 G Load)
Max.Radial Force 220 N (20MM From Front Flange)



Bholanath Precision Engineering Pvt.Ltd.

11,Kembros Ind.Estate , Sonapur Lane , Bhandup (W),Mumbai - 400078.
Telefax/Phone : 25662856/25664338/67993260 Email : support@bholanath.in
Mobile No : 9920903825/9821671733/9930514603/9819515543/9323166582.



SIZE NEMA 17, 23 (42, 57MM)
2 - phase Stepping Motor
1.8° High Torque Hybrid Stepper Motor

Non Captive Linear Actuator Stepper Motor

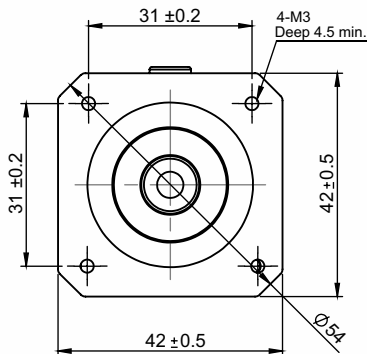


SPECIFICATION SHEET
Bholanath

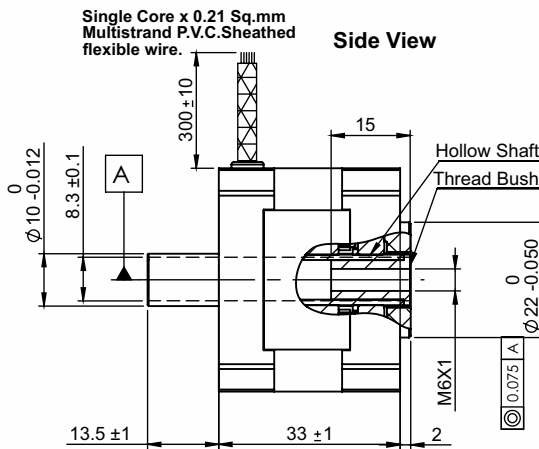
STEPPER MOTOR
BH 42 SH 33 - 1334 LA-NC(M6x1)
HIGH TORQUE HYBRID



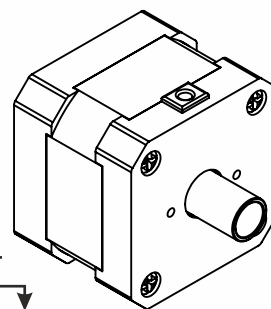
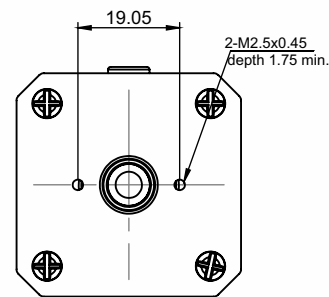
Front View & Mounting



Side View



Rear View



- **Screw Length : 200 mm.**
- **Model Type : Linear Actuator Non Captive Stepper Motor**

TECHNICAL DATA

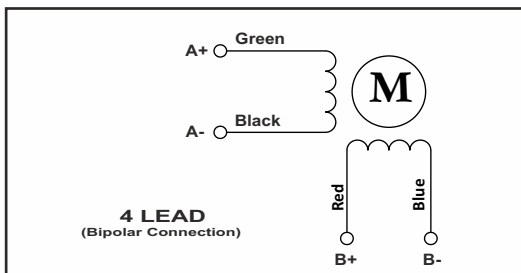
CHARACTERISTICS

- Step Angle - 1.8°
- Step Angle Accuracy - ± 3 Arc Minute
- Insulation Class - H
- Ambient Temperature - (- 20°C to + 50°C)
- Temperature Rise - 80°C Max. (Rated Current Phase 2 ON)
- Insulation Resistance
100 M Ohms Min.500 VDC
- Dielectric Strength
500 VAC For One Minute
- Shaft Radial Play
0.02 Max. Play (450 G Load)
- Shaft Axial Play
0.08 Max. Play (450 G Load)
- Max.Radial Force
28 N (20MM From Front Flange)

SPECIFICATION BH 42 SH 33 - 1334 LA-NC (M6x1)

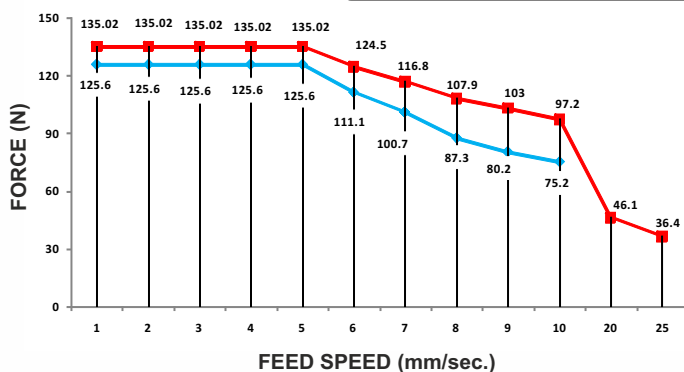
	MODEL		Bipolar
1	Rated Voltage	V	2.8
2	Current / Phase	A	1.33
3	Resistance / Phase	± 10% Ω	2.1
4	Inductance / Phase	± 20% mH	1.6
5	Holding Torque	Nm	0.22
6	Weight	KG.	0.27
7	No of Lead	N ⁰	4
8	Operating Voltage	VDC	12 - 24
9	Linear Step size - 5 micron per full step		

Wiring Diagram



DRIVE SET

- BH-24VDC/1.25 AMP/FULL STEP/BH MSD-2A
- BH-12VDC/1.25 AMP/FULL STEP/BH MSD-2A



Bholanath Precision Engineering Pvt.Ltd.

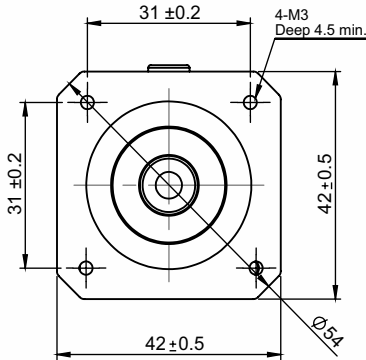
11, Kembros Ind.Estate , Sonapur Lane , Bhandup (W), Mumbai - 400078.
 Telefax/Phone : 25662856/25664338/67993260 Email : support@bholanath.in
 Mobile No : 9920903825/9821671733/9930514603/9819515543/9323166582.

SPECIFICATION SHEET
Bholanath

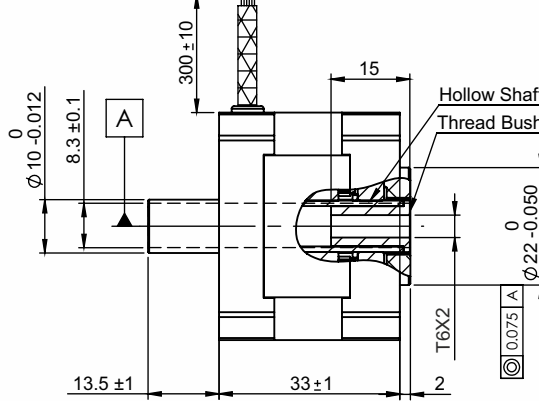
STEPPER MOTOR
BH 42 SH 33 - 1334 LA-NC (T6X2)
HIGH TORQUE HYBRID



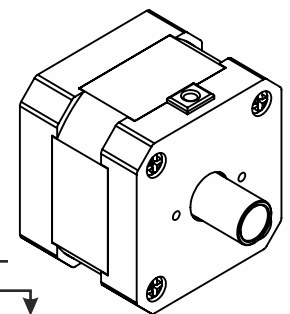
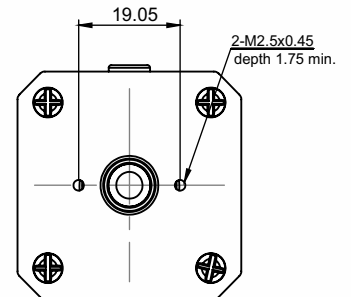
Front View & Mounting



Side View



Rear View



- **Screw Length : 200 mm.**
- **Model Type : Linear Actuator Non Captive Stepper Motor**

TECHNICAL DATA

CHARACTERISTICS

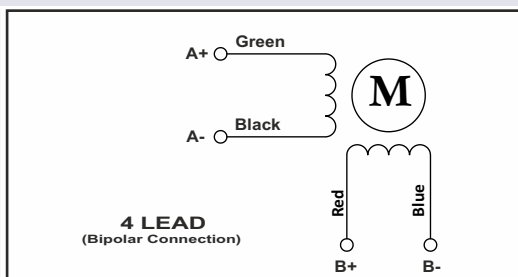
- Step Angle - 1.8°
- Step Angle Accuracy - ± 5%
- Insulation Class - H
- Ambient Temperature - (- 20°C to + 50°C)
- Temperature Rise - 80°C Max. (Rated Current Phase 2 ON)
- Insulation Resistance 100 M Ohms Min.500 VDC
- Dielectric Strength 500 VAC For One Minute
- Shaft Radial Play 0.02 Max. Play (450 G Load)
- Shaft Axial Play 0.08 Max. Play (450 G Load)
- Max.Radial Force 28 N (20MM From Front Flange)

SPECIFICATION

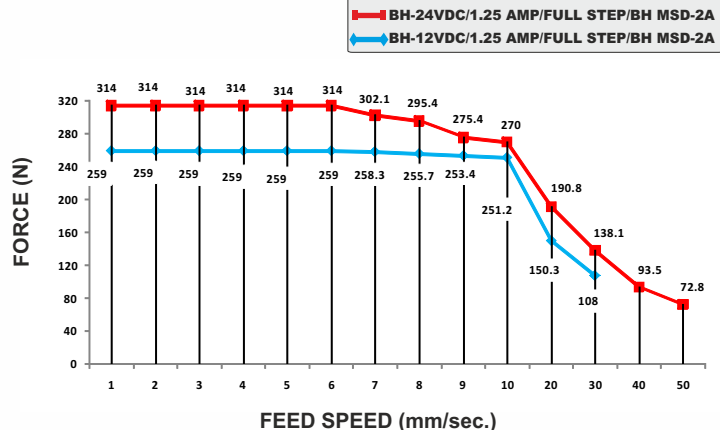
BH 42 SH 33 - 1334 LA-NC (T6X2)

MODEL		Bipolar
1	Rated Voltage	V 2.8
2	Current / Phase	A 1.33
3	Resistance / Phase	± 10% Ω 2.1
4	Inductance / Phase	± 20% mH 1.6
5	Holding Torque	Nm 0.22
6	Weight	KG. 0.27
7	No of Lead	N° 4
8	Operating Voltage	VDC 12 - 24
9	Linear Step size - 10 micron per full step	

Wiring Diagram



DRIVE SET



Bholanath Precision Engineering Pvt.Ltd.

COMMITTED TO PRECISION

11,Kembros Ind.Estate , Sonapur Lane , Bhandup (W),Mumbai - 400078.

BHOLANATH COOL STEPPERS™

Telefax/Phone : 25662856/25664338/67993260 Email : support@bholanath.in

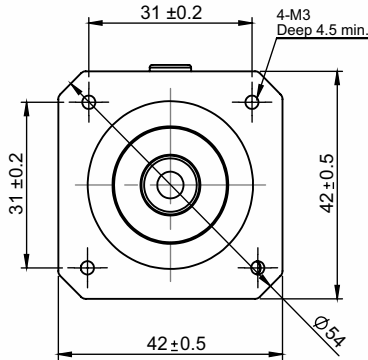
Mobile No : 9920903825/9821671733/9930514603/9819515543/9323166582.

SPECIFICATION SHEET
Bholanath

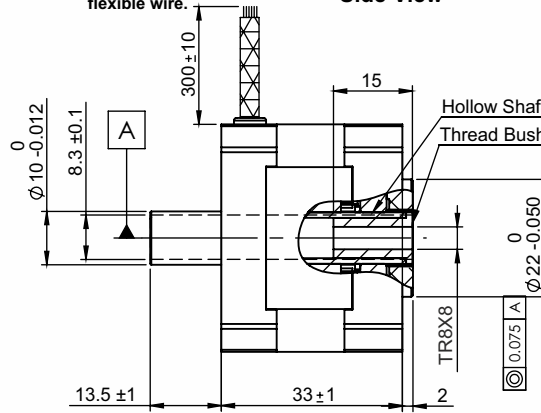
STEPPER MOTOR
BH 42 SH 33 - 1334 LA-NC (TR8 X 8)
HIGH TORQUE HYBRID



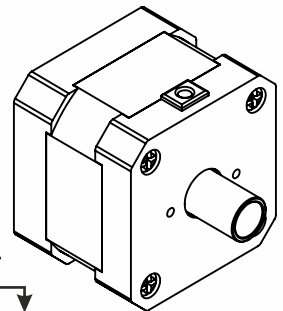
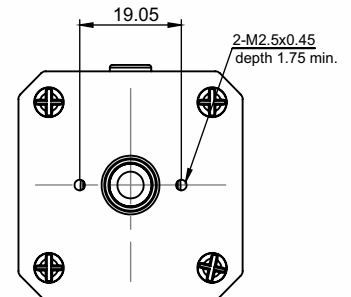
Front View & Mounting



Side View



Rear View



- Screw Length : 200 mm.
- Model Type : Linear Actuator Non Captive Stepper Motor

TECHNICAL DATA

CHARACTERISTICS

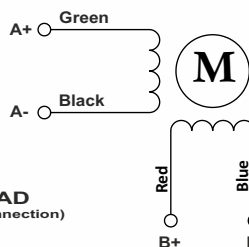
- Step Angle - 1.8°
- Step Angle Accuracy - ± 3 Arc Minute
- Insulation Class - H
- Ambient Temperature - (- 20°C to + 50°C)
- Temperature Rise - 80°C Max. (Rated Current Phase 2 ON)
- Insulation Resistance 100 M Ohms Min.500 VDC
- Dielectric Strength 500 VAC For One Minute
- Shaft Radial Play 0.02 Max. Play (450 G Load)
- Shaft Axial Play 0.08 Max. Play (450 G Load)
- Max.Radial Force 28 N (20MM From Front Flange)

SPECIFICATION

BH 42 SH 33 - 1334 LA-NC (TR8 X 8)

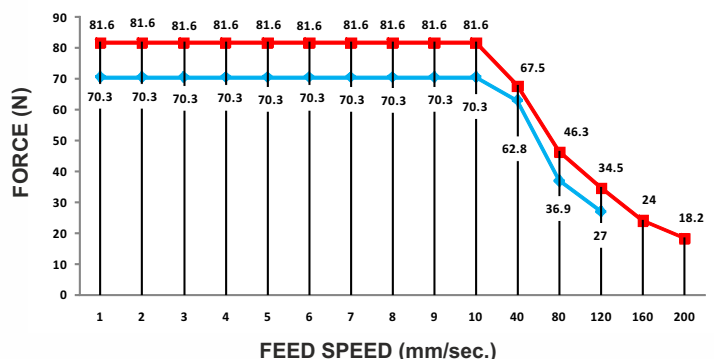
	MODEL		Bipolar
1	Rated Voltage	V	2.8
2	Current / Phase	A	1.33
3	Resistance / Phase	± 10% Ω	2.1
4	Inductance / Phase	± 20% mH	1.6
5	Holding Torque	Nm	0.22
6	Weight	KG.	0.27
7	No of Lead	N°	4
8	Operating Voltage	VDC	12 - 24
9	Linear Step size - 40 micron per full step		

Wiring Diagram



DRIVE SET

- BH-24VDC/1.25 AMP/FULL STEP/BH MSD-2A
- BH-12VDC/1.25 AMP/FULL STEP/BH MSD-2A



Bholanath Precision Engineering Pvt.Ltd.

11,Kembros Ind.Estate , Sonapur Lane , Bhandup (W),Mumbai - 400078.

Telefax/Phone : 25662856/25664338/67993260 Email : support@bholanath.in

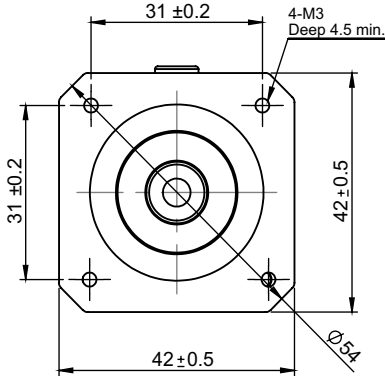
Mobile No : 9920903825/9821671733/9930514603/9819515543/9323166582.

SPECIFICATION SHEET
Bholanath

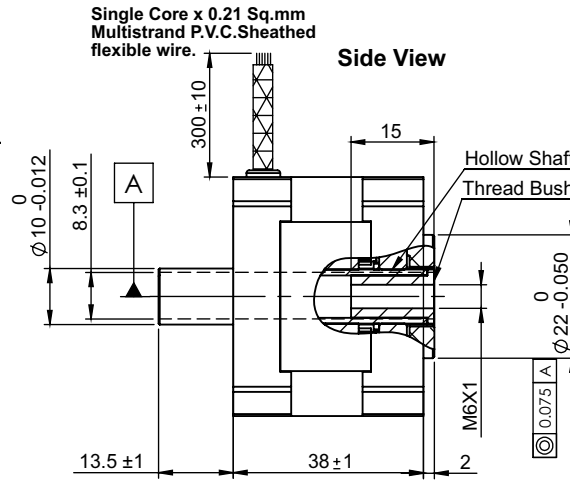
STEPPER MOTOR
BH 42 SH 38 - 1684 LA-NC (M6 X 1)
HIGH TORQUE HYBRID



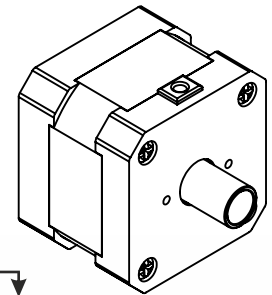
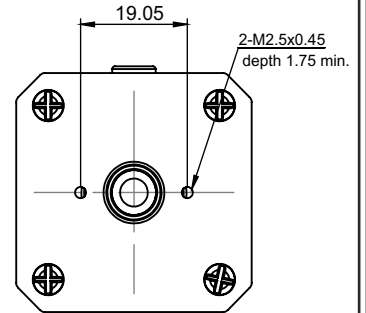
Front View & Mounting



Side View



Rear View



- Screw Length : 200 mm.
- Model Type : Linear Actuator Non Captive Stepper Motor

TECHNICAL DATA

CHARACTERISTICS

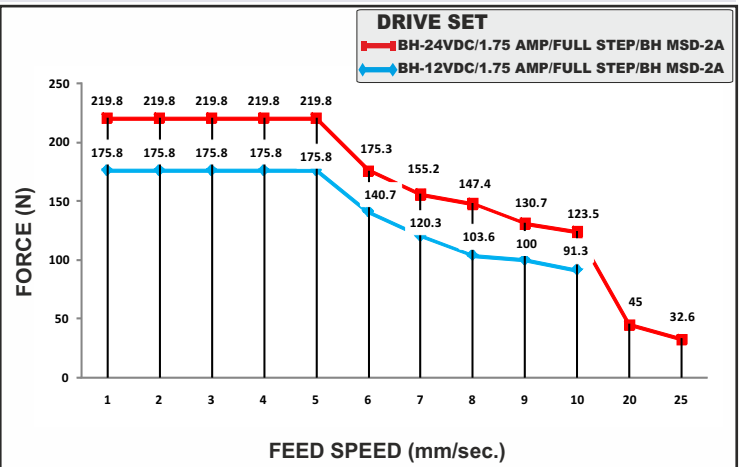
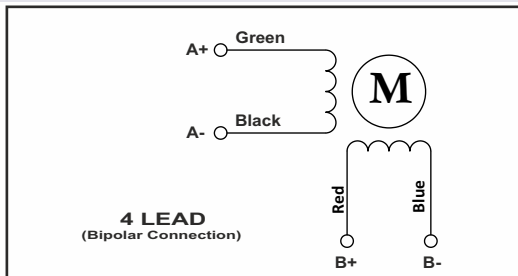
- Step Angle - 1.8°
- Step Angle Accuracy - ± 3 Arc Minute
- Insulation Class - H
- Ambient Temperature - (- 20°C to + 50°C)
- Temperature Rise - 80°C Max. (Rated Current Phase 2 ON)
- Insulation Resistance 100 M Ohms Min.500 VDC
- Dielectric Strength 500 VAC For One Minute
- Shaft Radial Play 0.02 Max. Play (450 G Load)
- Shaft Axial Play 0.08 Max. Play (450 G Load)
- Max.Radial Force 28 N (20MM From Front Flange)

SPECIFICATION

BH 42 SH 38 - 1684 LA-NC (M6 X 1)

	MODEL		Bipolar
1	Rated Voltage	V	3.53
2	Current / Phase	A	1.68
3	Resistance / Phase	± 10% Ω	2.1
4	Inductance / Phase	± 20% mH	1.80
5	Holding Torque	Nm	0.36
6	Weight	KG.	0.38
7	No of Lead	N°	4
8	Operating Voltage	VDC	12 - 24
9	Linear Step size - 5 micron per full step		

Wiring Diagram

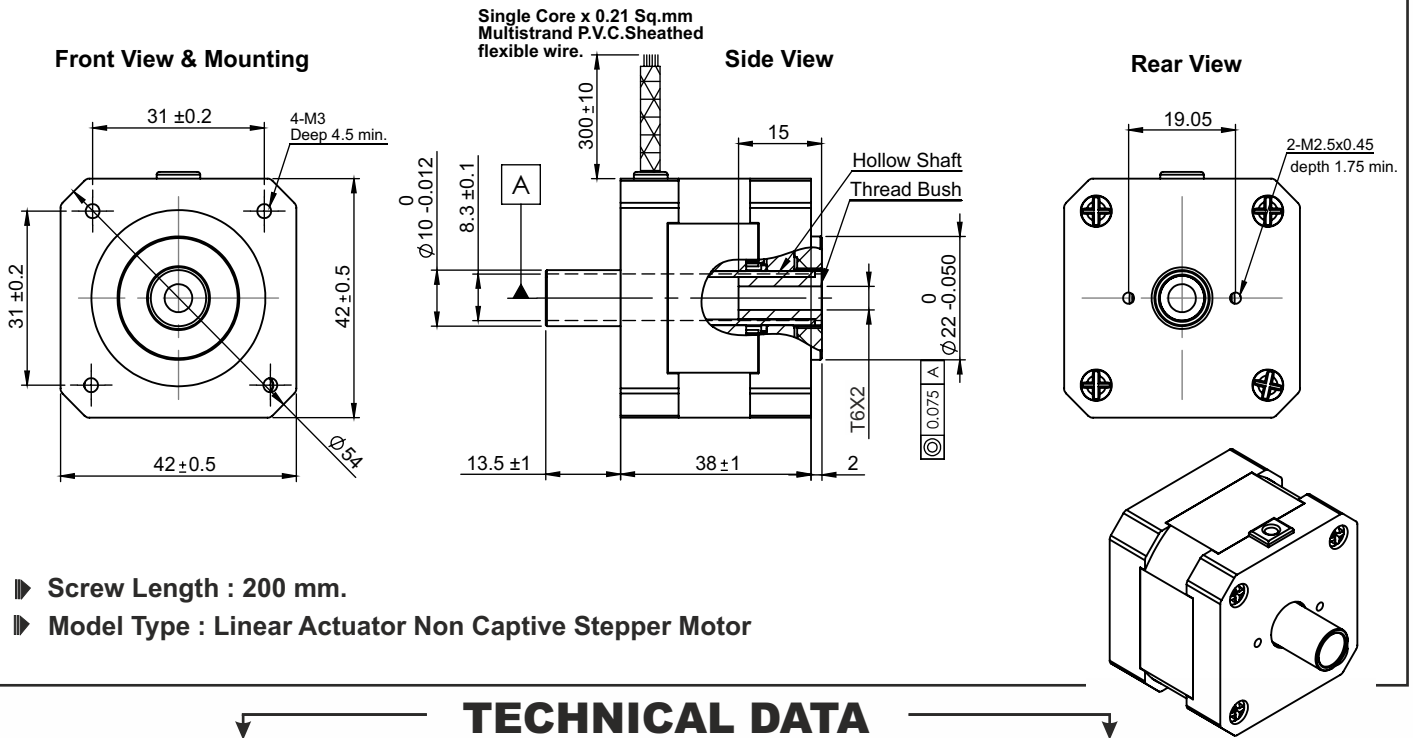


Bholanath Precision Engineering Pvt.Ltd.

11,Kembros Ind.Estate , Sonapur Lane , Bhandup (W),Mumbai - 400078.
Telefax/Phone : 25662856/25664338/67993260 Email : support@bholanath.in
Mobile No : 9920903825/9821671733/9930514603/9819515543/9323166582.

SPECIFICATION SHEET
Bholanath

STEPPER MOTOR
BH 42 SH 38 - 1684 LA-NC (T6 X 2)
HIGH TORQUE HYBRID



TECHNICAL DATA

CHARACTERISTICS

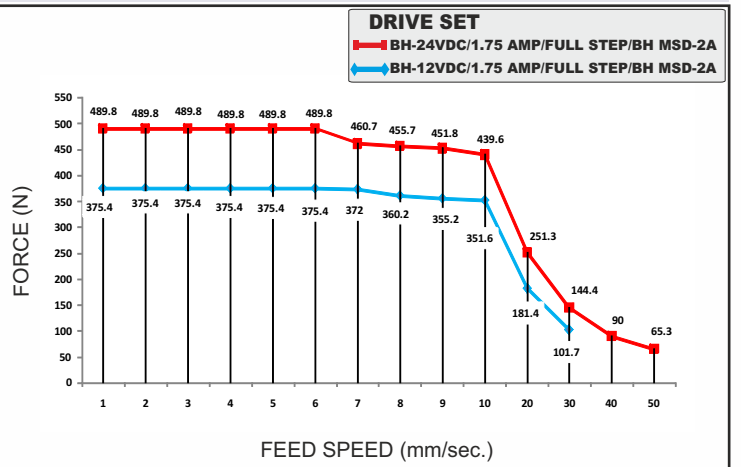
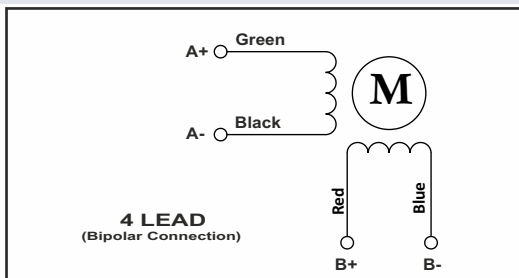
- Step Angle - 1.8°
- Step Angle Accuracy - ± 3 Arc Minute
- Insulation Class - H
- Ambient Temperature - (- 20°C to + 50°C)
- Temperature Rise - 80°C Max. (Rated Current Phase 2 ON)
- Insulation Resistance 100 M Ohms Min.500 VDC
- Dielectric Strength 500 VAC For One Minute
- Shaft Radial Play 0.02 Max. Play (450 G Load)
- Shaft Axial Play 0.08 Max. Play (450 G Load)
- Max.Radial Force 28 N (20MM From Front Flange)

SPECIFICATION

BH 42 SH 38 - 1684 LA-NC (T6 X 2)

	MODEL		Bipolar
1	Rated Voltage	V	3.53
2	Current / Phase	A	1.68
3	Resistance / Phase	± 10% Ω	2.1
4	Inductance / Phase	± 20% mH	1.80
5	Holding Torque	Nm	0.36
6	Weight	KG.	0.38
7	No of Lead	N°	4
8	Operating Voltage	VDC	12 - 24
9	Linear Step size - 10 micron per full step		

Wiring Diagram



Bholanath Precision Engineering Pvt.Ltd.

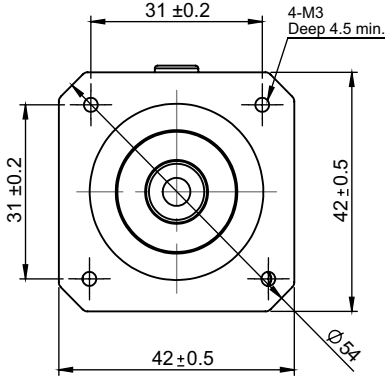
11,Kembros Ind.Estate , Sonapur Lane , Bhandup (W),Mumbai - 400078.
Telefax/Phone : 25662856/25664338/67993260 Email : support@bholanath.in
Mobile No : 9920903825/9821671733/9930514603/9819515543/9323166582.

SPECIFICATION SHEET
Bholanath

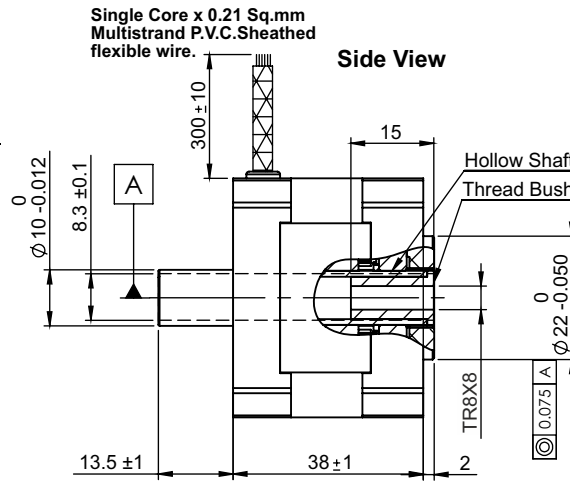
STEPPER MOTOR
BH 42 SH 38 - 1684 LA-NC (TR8 X 8)
HIGH TORQUE HYBRID



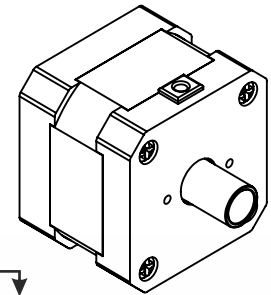
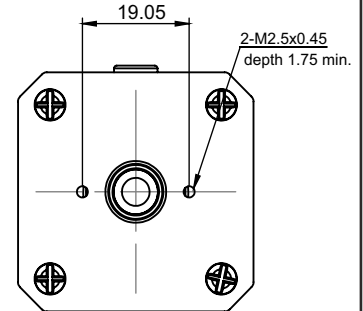
Front View & Mounting



Side View



Rear View



- Screw Length : 200 mm.
- Model Type : Linear Actuator Non Captive Stepper Motor

TECHNICAL DATA

CHARACTERISTICS

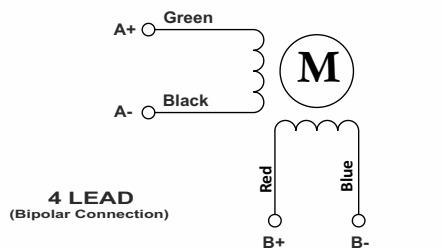
- Step Angle - 1.8°
- Step Angle Accuracy - ± 3 Arc Minute
- Insulation Class - H
- Ambient Temperature - (- 20°C to + 50°C)
- Temperature Rise - 80°C Max. (Rated Current Phase 2 ON)
- Insulation Resistance 100 M Ohms Min.500 VDC
- Dielectric Strength 500 VAC For One Minute
- Shaft Radial Play 0.02 Max. Play (450 G Load)
- Shaft Axial Play 0.08 Max. Play (450 G Load)
- Max.Radial Force 28 N (20MM From Front Flange)

SPECIFICATION

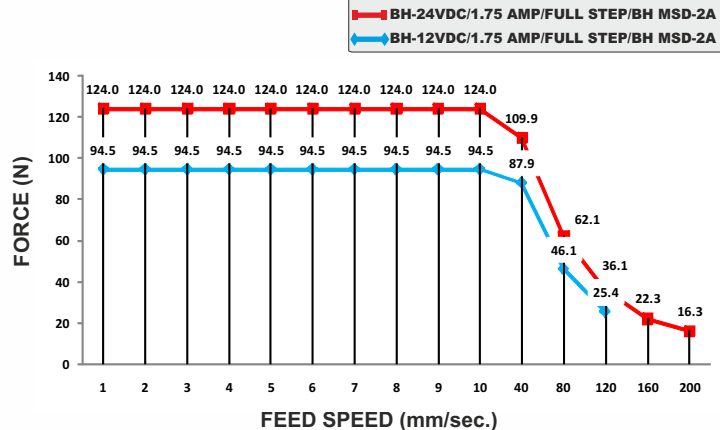
BH 42 SH 38 - 1684 LA-NC (TR8 X 8)

MODEL	Bipolar	
1 Rated Voltage	V	3.53
2 Current / Phase	A	1.68
3 Resistance / Phase ± 10%	Ω	2.1
4 Inductance / Phase ± 20%	mH	1.80
5 Holding Torque	Nm	0.36
6 Weight	KG.	0.38
7 No of Lead	N°	4
8 Operating Voltage	VDC	12 - 24
9 Linear Step size - 40 micron per full step		

Wiring Diagram



DRIVE SET



Bholanath Precision Engineering Pvt.Ltd.

COMMITTED TO PRECISION

11, Kembros Ind.Estate , Sonapur Lane , Bhandup (W), Mumbai - 400078.

BHOLANATH COOL STEPPERS™

Telefax/Phone : 25662856/25664338/67993260 Email : support@bholanath.in

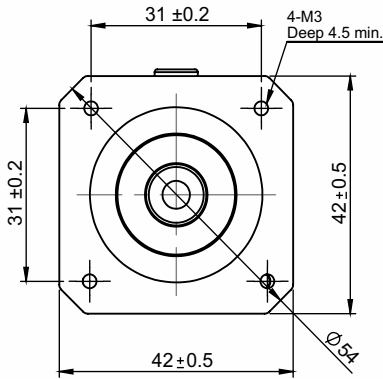
Mobile No : 9920903825/9821671733/9930514603/9819515543/9323166582.

SPECIFICATION SHEET
Bholanath

STEPPER MOTOR
BH 42 SH 47 - 1704 LA-NC (M6X1)
HIGH TORQUE HYBRID

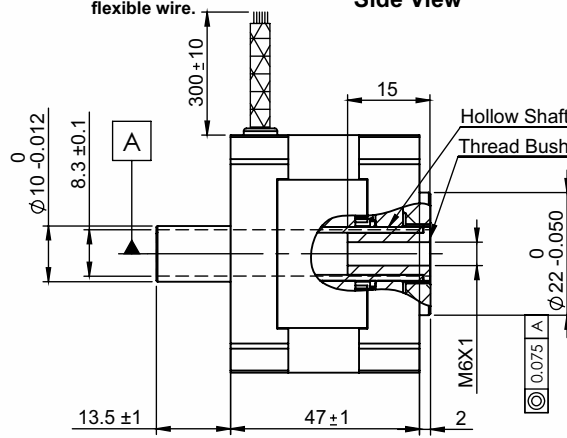


Front View & Mounting

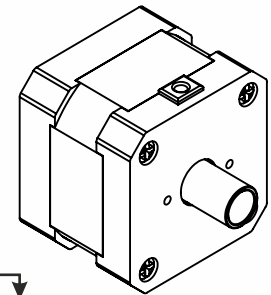
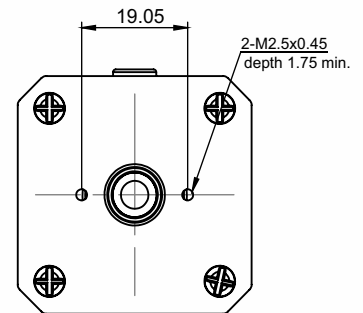


Single Core x 0.21 Sq.mm
Multistrand P.V.C. Sheathed
flexible wire.

Side View



Rear View



- Screw Length : 200 mm.
- Model Type : Linear Actuator Non Captive Stepper Motor

TECHNICAL DATA

CHARACTERISTICS

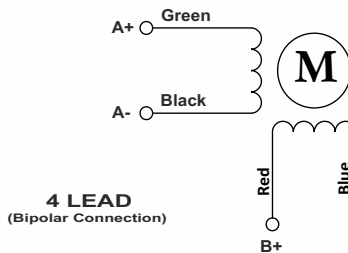
- Step Angle - 1.8°
- Step Angle Accuracy - ± 3 Arc Minute
- Insulation Class - H
- Ambient Temperature - (- 20°C to + 50°C)
- Temperature Rise - 80°C Max. (Rated Current Phase 2 ON)
- Insulation Resistance 100 M Ohms Min.500 VDC
- Dielectric Strength 500 VAC For One Minute
- Shaft Radial Play 0.02 Max. Play (450 G Load)
- Shaft Axial Play 0.08 Max. Play (450 G Load)
- Max.Radial Force 28 N (20MM From Front Flange)

SPECIFICATION

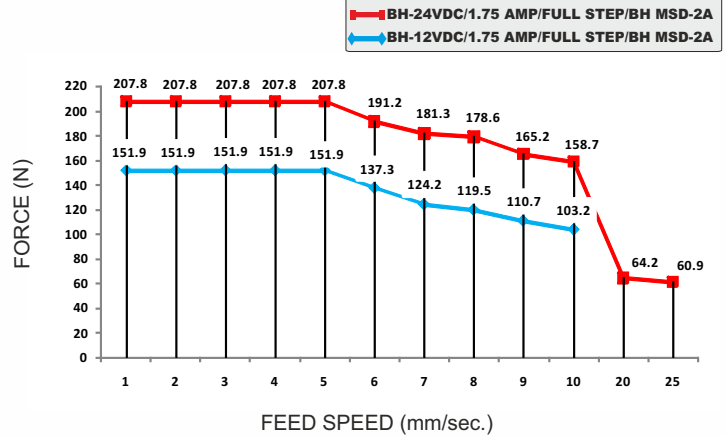
BH 42 SH 47 - 1704 LA-NC (M6X1)

MODEL		Bipolar
1	Rated Voltage	V 2.8
2	Current / Phase	A 1.7
3	Resistance / Phase	± 10% Ω 1.7
4	Inductance / Phase	± 20% mH 2.5
5	Holding Torque	Nm 0.44
6	Weight	KG. 0.475
7	No of Lead	N° 4
8	Operating Voltage	VDC 12 - 24
9	Linear Step size - 5 micron per full step	

Wiring Diagram



DRIVE SET



Bholanath Precision Engineering Pvt.Ltd.

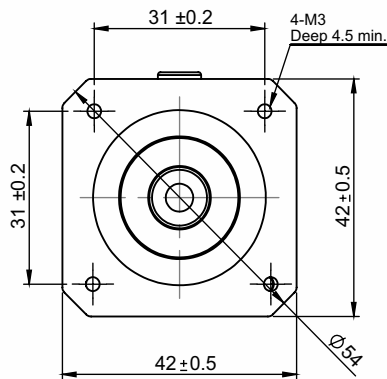
11,Kembros Ind.Estate , Sonapur Lane , Bhandup (W),Mumbai - 400078.
Telefax/Phone : 25662856/25664338/67993260 Email : support@bholanath.in
Mobile No : 9920903825/9821671733/9930514603/9819515543/9323166582.

SPECIFICATION SHEET
Bholanath

STEPPER MOTOR
BH 42 SH 47 - 1704 LA-NC (T6X2)
HIGH TORQUE HYBRID

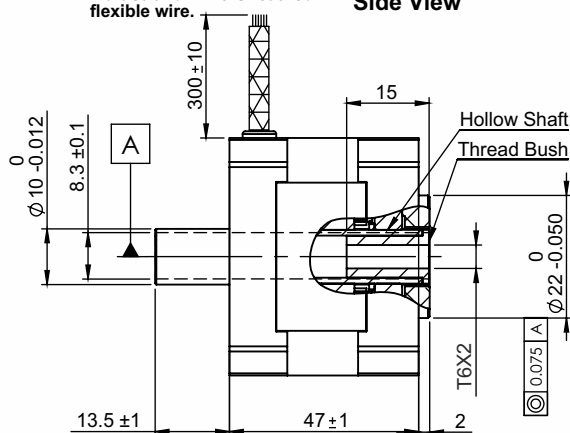


Front View & Mounting

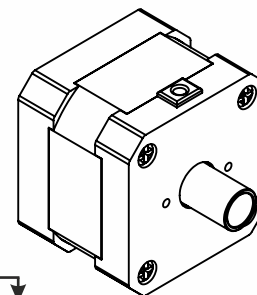
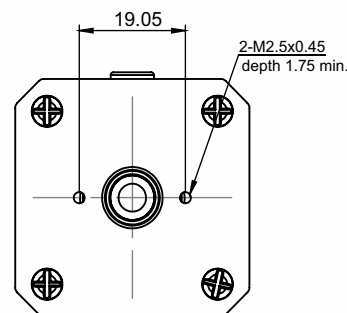


Single Core x 0.21 Sq.mm
Multistrand P.V.C. Sheathed
flexible wire.

Side View



Rear View



- Screw Length : 200 mm.
- Model Type : Linear Actuator Non Captive Stepper Motor

TECHNICAL DATA

CHARACTERISTICS

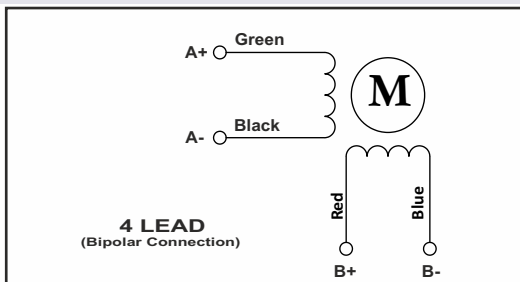
- Step Angle - 1.8°
- Step Angle Accuracy - ± 3 Arc Minute
- Insulation Class - H
- Ambient Temperature - (- 20°C to + 50°C)
- Temperature Rise - 80°C Max. (Rated Current Phase 2 ON)
- Insulation Resistance 100 M Ohms Min. 500 VDC
- Dielectric Strength 500 VAC For One Minute
- Shaft Radial Play 0.02 Max. Play (450 G Load)
- Shaft Axial Play 0.08 Max. Play (450 G Load)
- Max.Radial Force 28 N (20MM From Front Flange)

SPECIFICATION

BH 42 SH 47 - 1704 LA-NC (T6X2)

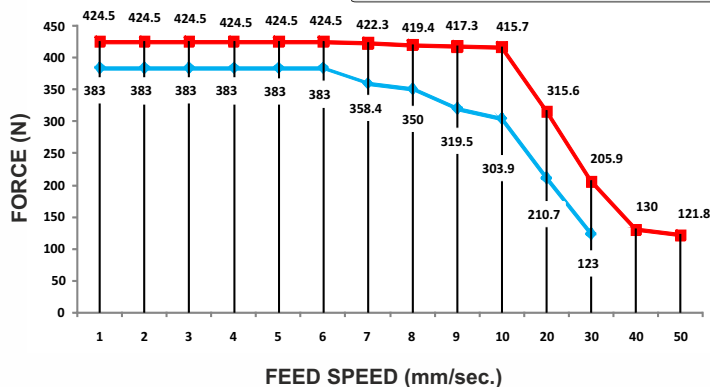
	MODEL		Bipolar
1	Rated Voltage	V	2.8
2	Current / Phase	A	1.7
3	Resistance / Phase	± 10% Ω	1.7
4	Inductance / Phase	± 20% mH	2.5
5	Holding Torque	Nm	0.44
6	Weight	KG.	0.475
7	No of Lead	N°	4
8	Operating Voltage	VDC	12 - 24
9	Linear Step size - 10 micron per full step		

Wiring Diagram



DRIVE SET

- BH-24VDC/1.75 AMP/FULL STEP/BH MSD-2A
- BH-12VDC/1.75 AMP/FULL STEP/BH MSD-2A



Bholanath Precision Engineering Pvt.Ltd.

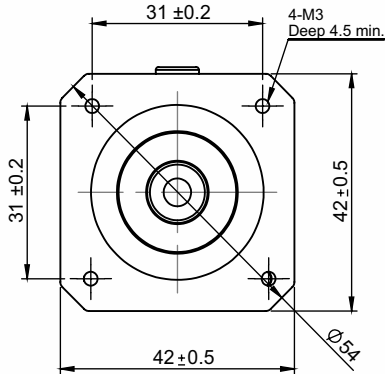
11,Kembros Ind.Estate , Sonapur Lane , Bhandup (W),Mumbai - 400078.
Telefax/Phone : 25662856/25664338/67993260 Email : support@bholanath.in
Mobile No : 9920903825/9821671733/9930514603/9819515543/9323166582.

SPECIFICATION SHEET
Bholanath

STEPPER MOTOR
BH 42 SH 47 - 1704 LA-NC (TR8X8)
HIGH TORQUE HYBRID

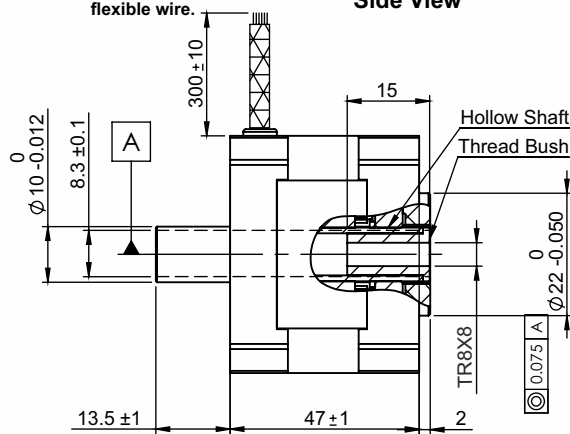


Front View & Mounting

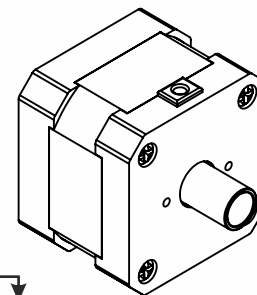
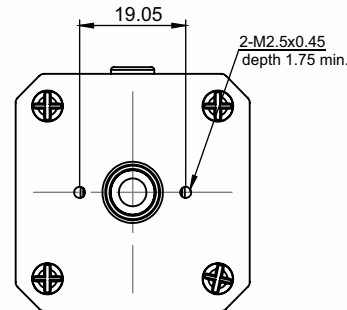


Single Core x 0.21 Sq.mm
Multistrand P.V.C.Sheathed
flexible wire.

Side View



Rear View



- ▶ **Screw Length : 200 mm.**
- ▶ **Model Type : Linear Actuator Non Captive Stepper Motor**

TECHNICAL DATA

CHARACTERISTICS

- Step Angle - 1.8°
- Step Angle Accuracy - ± 3 Arc Minute
- Insulation Class - H
- Ambient Temperature - (- 20°C to + 50°C)
- Temperature Rise - 80°C Max.
(Rated Current Phase 2 ON)
- Insulation Resistance
100 M Ohms Min.500 VDC
- Dielectric Strength
500 VAC For One Minute
- Shaft Radial Play
0.02 Max. Play (450 G Load)
- Shaft Axial Play
0.08 Max. Play (450 G Load)
- Max.Radial Force
28 N (20MM From Front Flange)

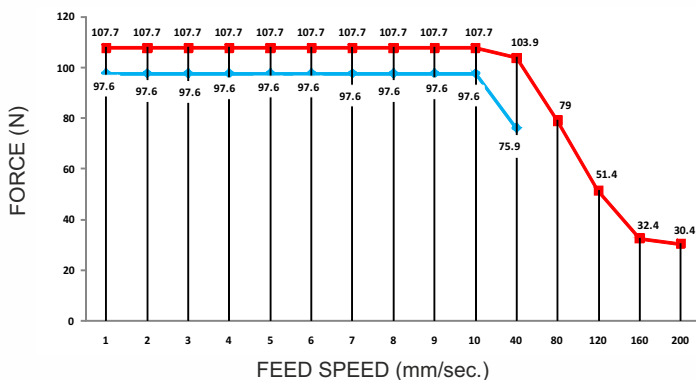
SPECIFICATION

BH 42 SH 47 - 1704 LA-NC (TR8X8)

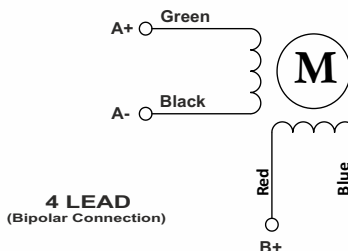
MODEL		Bipolar
1	Rated Voltage	V 2.8
2	Current / Phase	A 1.7
3	Resistance / Phase	± 10% Ω 1.7
4	Inductance / Phase	± 20% mH 2.5
5	Holding Torque	Nm 0.44
6	Weight	KG. 0.475
7	No of Lead	N° 4
8	Operating Voltage	VDC 12 - 24
9	Linear Step size - 40 micron per full step	

DRIVE SET

- BH-24VDC/1.75 AMP/FULL STEP/BH MSD-2A
- BH-12VDC/1.75 AMP/FULL STEP/BH MSD-2A



Wiring Diagram



Bholanath Precision Engineering Pvt.Ltd.

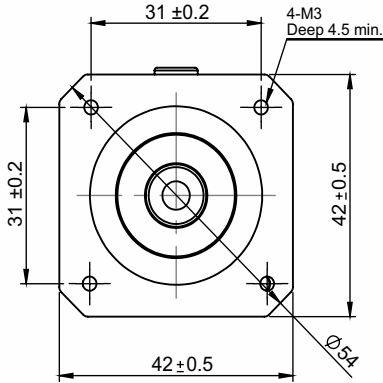
11,Kembros Ind.Estate , Sonapur Lane , Bhandup (W),Mumbai - 400078.
Telefax/Phone : 25662856/25664338/67993260 Email : support@bholanath.in
Mobile No : 9920903825/9821671733/9930514603/9819515543/9323166582.

SPECIFICATION SHEET
Bholanath

STEPPER MOTOR
BH 42 SH 47-1504 LA-NC(M6 X 1)
HIGH TORQUE HYBRID

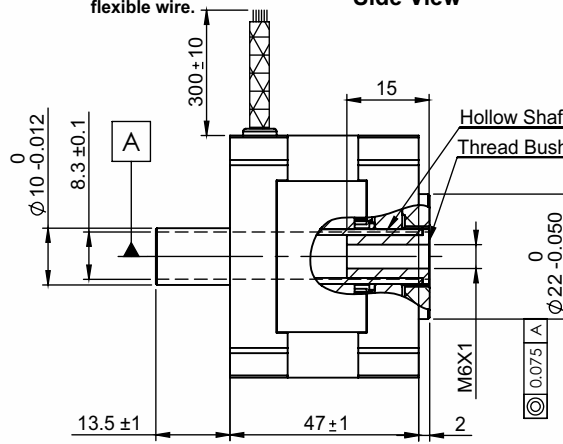


Front View & Mounting

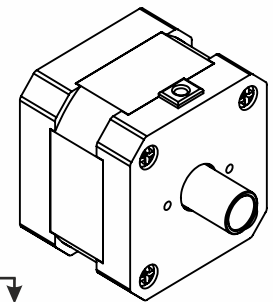
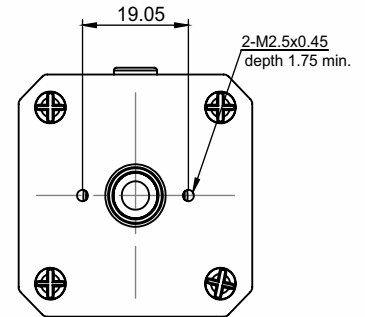


Single Core x 0.21 Sq.mm
Multistrand P.V.C. Sheathed
flexible wire.

Side View



Rear View



- ▶ Screw Length : 200 mm.
- ▶ Model Type : Linear Actuator Non Captive Stepper Motor

TECHNICAL DATA

CHARACTERISTICS

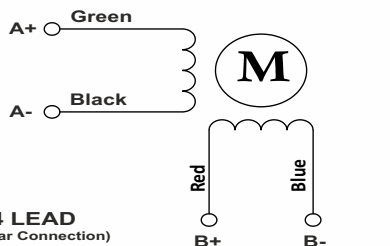
- Step Angle - 1.8°
- Step Angle Accuracy - ± 3 Arc Minute
- Insulation Class - H
- Ambient Temperature - (- 20°C to + 50°C)
- Temperature Rise - 80°C Max. (Rated Current Phase 2 ON)
- Insulation Resistance
100 M Ohms Min.500 VDC
- Dielectric Strength
500 VAC For One Minute
- Shaft Radial Play
0.02 Max. Play (450 G Load)
- Shaft Axial Play
0.08 Max. Play (450 G Load)
- Max.Radial Force
28 N (20MM From Front Flange)

SPECIFICATION

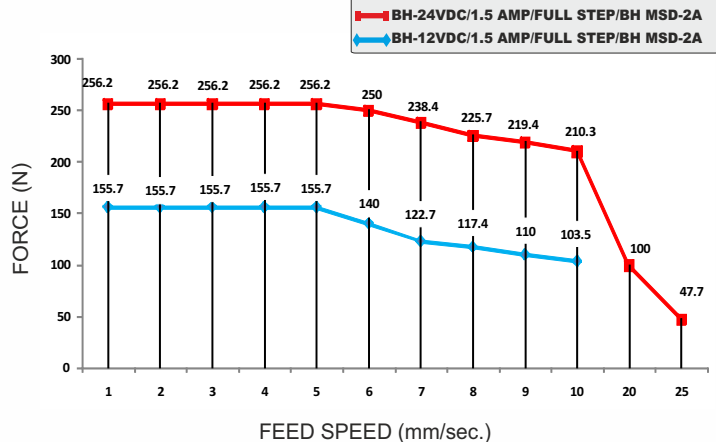
BH 42 SH 47-1504 LA-NC (M6 X 1)

	MODEL		Bipolar
1	Rated Voltage	V	4.2
2	Current / Phase	A	1.5
3	Resistance / Phase ± 10%	Ω	2.8
4	Inductance / Phase ± 20%	mH	5.7
5	Holding Torque	Nm	0.55
6	Weight	KG.	0.475
7	No of Lead	N°	4
8	Operating Voltage	VDC	12 - 24
9	Linear Step size - 5 micron per full step		

Wiring Diagram



DRIVE SET



Bholanath Precision Engineering Pvt.Ltd.

COMMITTED TO PRECISION

11,Kembros Ind.Estate , Sonapur Lane , Bhandup (W),Mumbai - 400078.

BHOLANATH COOL STEPPERS™

Telefax/Phone : 25662856/25664338/67993260 Email : support@bholanath.in

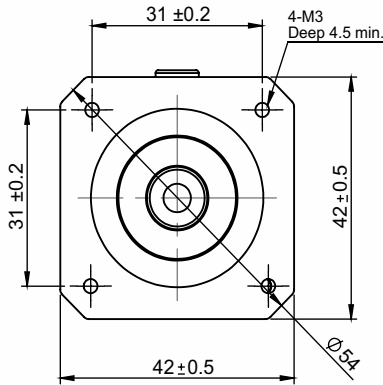
Mobile No : 9920903825/9821671733/9930514603/9819515543/9323166582.

SPECIFICATION SHEET
Bholanath

STEPPER MOTOR
BH 42 SH 47-1504 LA-NC(T6 X 2)
HIGH TORQUE HYBRID

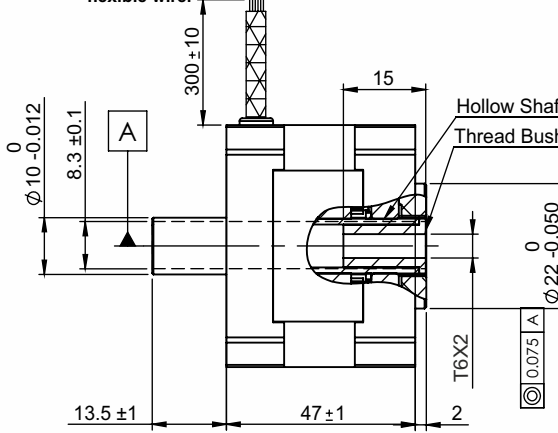


Front View & Mounting

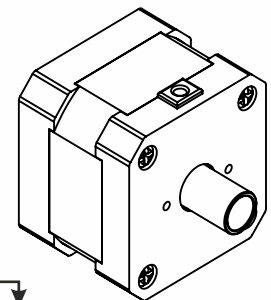
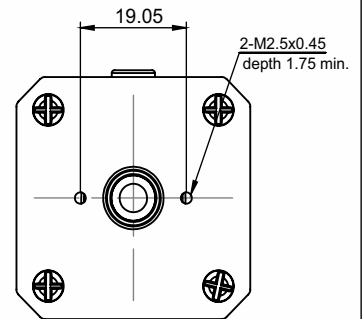


Single Core x 0.21 Sq.mm
Multistrand P.V.C. Sheathed
flexible wire.

Side View



Rear View



- Screw Length : 200 mm.
- Model Type : Linear Actuator Non Captive Stepper Motor

TECHNICAL DATA

CHARACTERISTICS

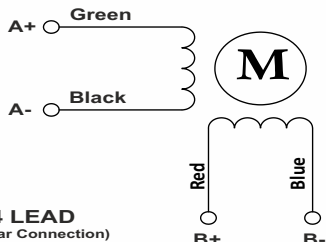
- Step Angle - 1.8°
- Step Angle Accuracy - ± 3 Arc Minute
- Insulation Class - H
- Ambient Temperature - (- 20°C to + 50°C)
- Temperature Rise - 80°C Max.
(Rated Current Phase 2 ON)
- Insulation Resistance
100 M Ohms Min.500 VDC
- Dielectric Strength
500 VAC For One Minute
- Shaft Radial Play
0.02 Max. Play (450 G Load)
- Shaft Axial Play
0.08 Max. Play (450 G Load)
- Max.Radial Force
28 N (20MM From Front Flange)

SPECIFICATION

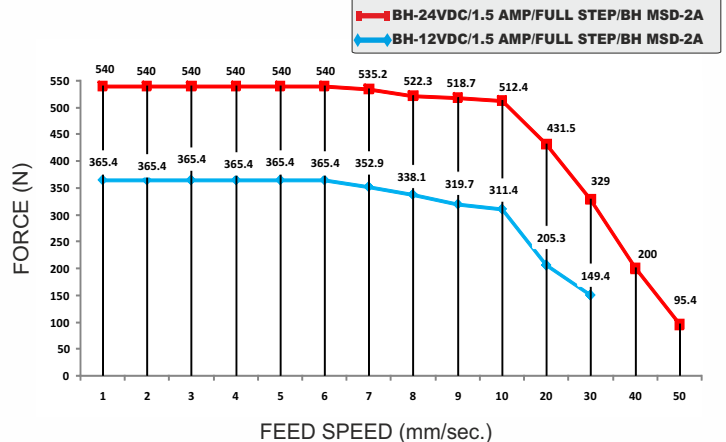
BH 42 SH 47-1504 LA-NC (T6 X 2)

MODEL		Bipolar
1	Rated Voltage	V 4.2
2	Current / Phase	A 1.5
3	Resistance / Phase ± 10%	Ω 2.8
4	Inductance / Phase ± 20%	mH 5.7
5	Holding Torque	Nm 0.55
6	Weight	KG. 0.475
7	No of Lead	N° 4
8	Operating Voltage	VDC 12 - 24
9	Linear Step size - 10 micron per full step	

Wiring Diagram



DRIVE SET



Bholanath Precision Engineering Pvt.Ltd.

COMMITTED TO PRECISION

11, Kembros Ind.Estate , Sonapur Lane , Bhandup (W), Mumbai - 400078.

BHOLANATH COOL STEPPERS™

Telefax/Phone : 25662856/25664338/67993260 Email : support@bholanath.in

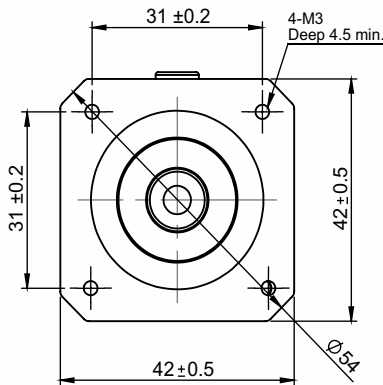
Mobile No : 9920903825/9821671733/9930514603/9819515543/9323166582.

SPECIFICATION SHEET
Bholanath

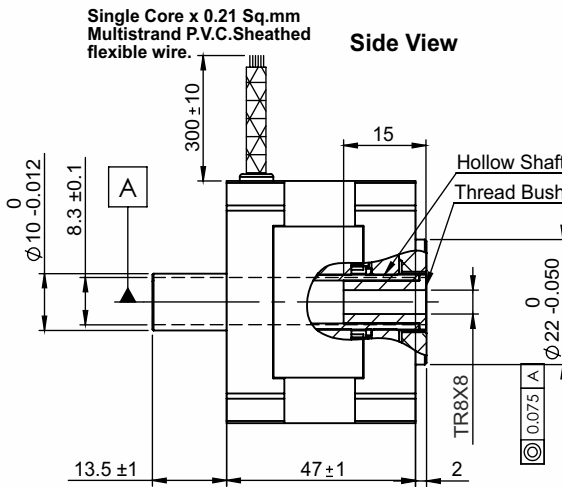
STEPPER MOTOR
BH 42 SH 47-1504 LA-NC(TR8 X 8)
HIGH TORQUE HYBRID



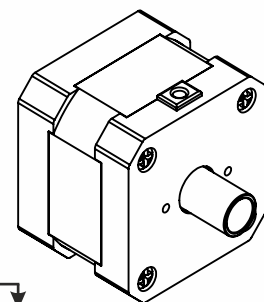
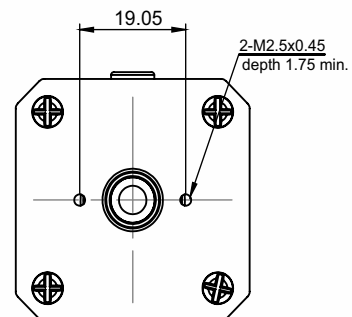
Front View & Mounting



Side View



Rear View



- ▶ Screw Length : 200 mm.
- ▶ Model Type : Linear Actuator Non Captive Stepper Motor

TECHNICAL DATA

CHARACTERISTICS

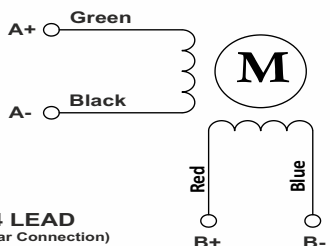
- Step Angle - 1.8°
- Step Angle Accuracy - ± 3 arc Minute
- Insulation Class - H
- Ambient Temperature - (- 20°C to + 50°C)
- Temperature Rise - 80°C Max. (Rated Current Phase 2 ON)
- Insulation Resistance
100 M Ohms Min.500 VDC
- Dielectric Strength
500 VAC For One Minute
- Shaft Radial Play
0.02 Max. Play (450 G Load)
- Shaft Axial Play
0.08 Max. Play (450 G Load)
- Max.Radial Force
28 N (20MM From Front Flange)

SPECIFICATION

BH 42 SH 47-1504 LA-NC(TR8 X 8)

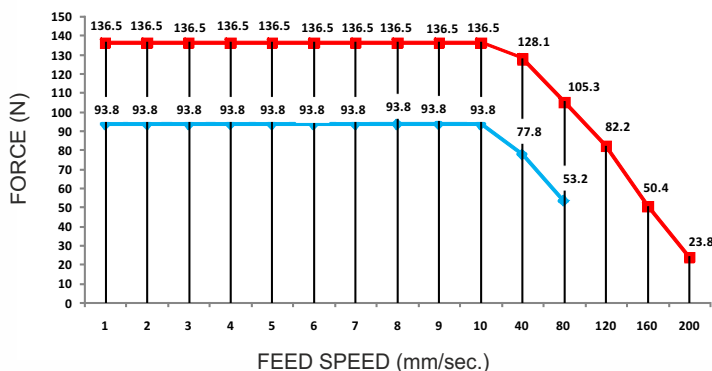
MODEL		Bipolar
1	Rated Voltage	V 4.2
2	Current / Phase	A 1.5
3	Resistance / Phase ± 10%	Ω 2.8
4	Inductance / Phase ± 20%	mH 5.7
5	Holding Torque	Nm 0.55
6	Weight	KG. 0.475
7	No of Lead	N° 4
8	Operating Voltage	VDC 12 - 24
9	Linear Step size - 40 micron per full step	

Wiring Diagram



DRIVE SET

- BH-24VDC/1.5 AMP/FULL STEP/BH MSD-2A
- BH-12VDC/1.5 AMP/FULL STEP/BH MSD-2A



Bholanath Precision Engineering Pvt.Ltd.

COMMITTED TO PRECISION

11,Kembros Ind.Estate , Sonapur Lane , Bhandup (W),Mumbai - 400078.

BHOLANATH COOL STEPPERS™

Telefax/Phone : 25662856/25664338/67993260 Email : support@bholanath.in

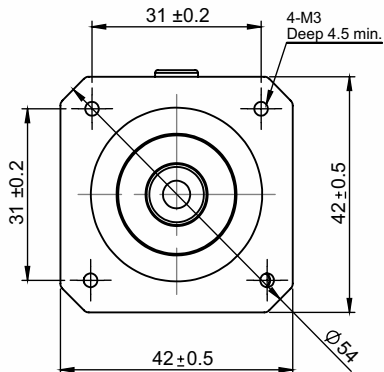
Mobile No : 9920903825/9821671733/9930514603/9819515543/9323166582.

SPECIFICATION SHEET
Bholanath

STEPPER MOTOR
BH 42 SH 60 - 0854 LA-NC(M6X1)
HIGH TORQUE HYBRID

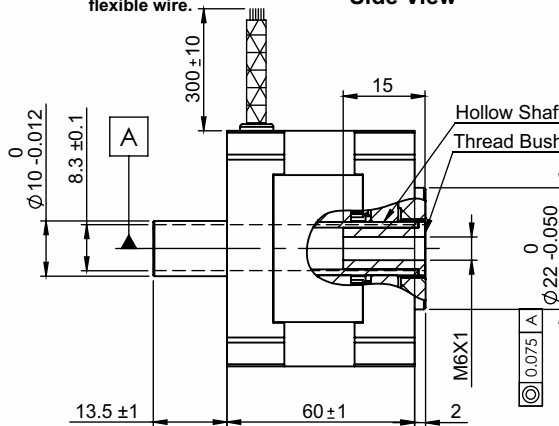


Front View & Mounting

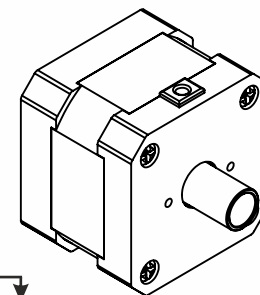
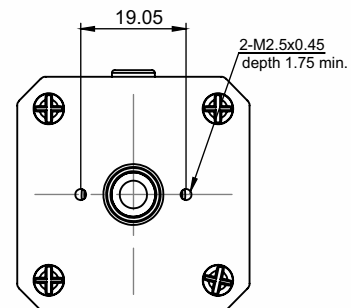


Single Core x 0.21 Sq.mm
Multistrand P.V.C.Sheathed
flexible wire.

Side View



Rear View



- Screw Length : 200 mm.
- Model Type : Linear Actuator Non Captive Stepper Motor

TECHNICAL DATA

CHARACTERISTICS

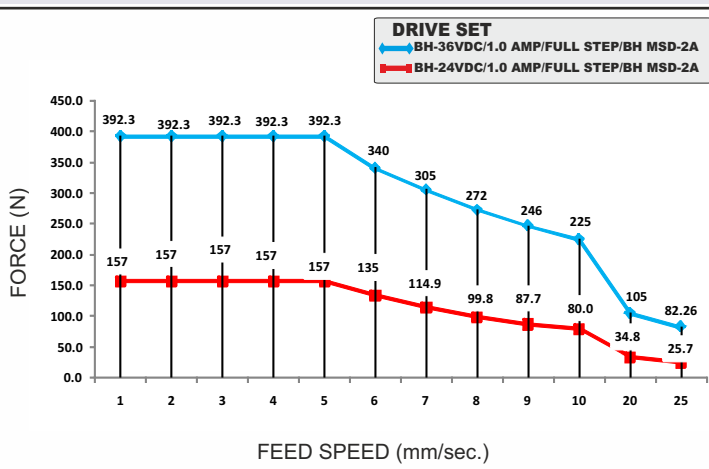
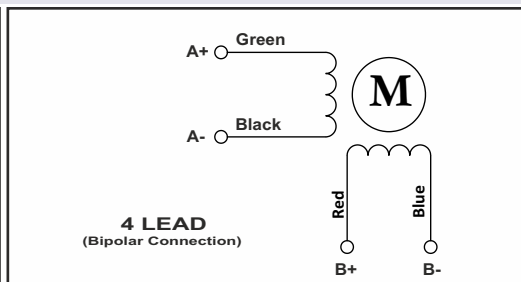
- Step Angle - 1.8°
- Step Angle Accuracy - ± 3 Arc Minute
- Insulation Class - H
- Ambient Temperature - (- 20°C to + 50°C)
- Temperature Rise - 80°C Max.
(Rated Current Phase 2 ON)
- Insulation Resistance
100 M Ohms Min.500 VDC
- Dielectric Strength
500 VAC For One Minute
- Shaft Radial Play
0.02 Max. Play (450 G Load)
- Shaft Axial Play
0.08 Max. Play (450 G Load)
- Max.Radial Force
28 N (20MM From Front Flange)

SPECIFICATION

BH 42 SH 60 - 0854 LA-NC(M6X1)

MODEL	Bipolar	
1 Rated Voltage	V	10.2
2 Current / Phase	A	0.85
3 Resistance / Phase ± 10% Ω		12
4 Inductance / Phase ± 20% mH		18
5 Holding Torque	Nm	0.9
6 Weight	KG.	0.590
7 No of Lead	N°	4
8 Operating Voltage	VDC	24 - 48
9 Linear Step size - 5 micron per full step		

Wiring Diagram



Bholanath Precision Engineering Pvt.Ltd.

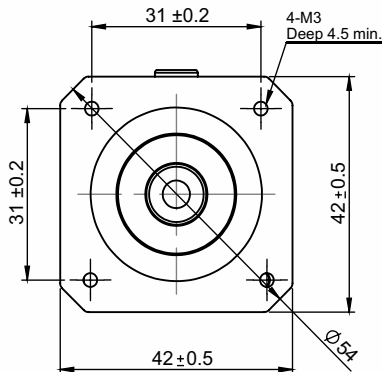
11,Kembros Ind.Estate , Sonapur Lane , Bhandup (W),Mumbai - 400078.
Telefax/Phone : 25662856/25664338/67993260 Email : support@bholanath.in
Mobile No : 9920903825/9821671733/9930514603/9819515543/9323166582.

SPECIFICATION SHEET
Bholanath

STEPPER MOTOR
BH 42 SH 60 - 0854 LA-NC(T6X2)
HIGH TORQUE HYBRID

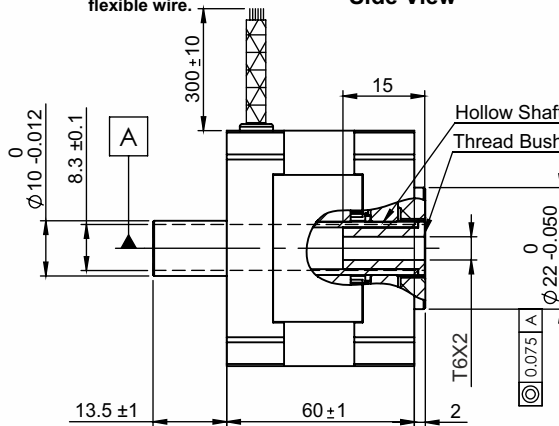


Front View & Mounting

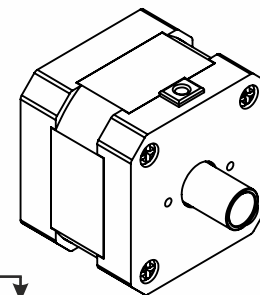
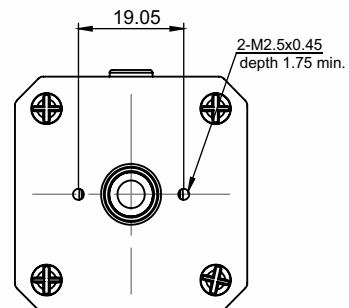


Single Core x 0.21 Sq.mm
Multistrand P.V.C. Sheathed
flexible wire.

Side View



Rear View



- Screw Length : 200 mm.
- Model Type : Linear Actuator Non Captive Stepper Motor

TECHNICAL DATA

CHARACTERISTICS

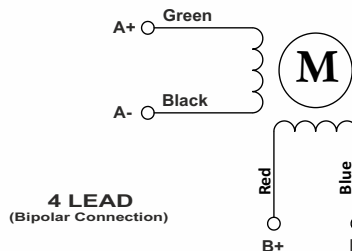
- Step Angle - 1.8°
- Step Angle Accuracy - ± 5%
- Insulation Class - H
- Ambient Temperature - (- 20°C to + 50°C)
- Temperature Rise - 80°C Max. (Rated Current Phase 2 ON)
- Insulation Resistance 100 M Ohms Min.500 VDC
- Dielectric Strength 500 VAC For One Minute
- Shaft Radial Play 0.02 Max. Play (450 G Load)
- Shaft Axial Play 0.08 Max. Play (450 G Load)
- Max.Radial Force 28 N (20MM From Front Flange)

SPECIFICATION

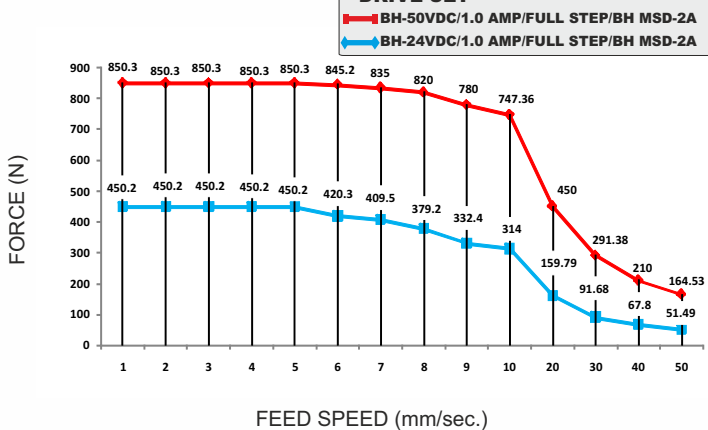
BH 42 SH 60 - 0854 LA-NC(T6X2)

MODEL	Bipolar	
1 Rated Voltage	V	10.2
2 Current / Phase	A	0.85
3 Resistance / Phase ± 10% Ω		12
4 Inductance / Phase ± 20% mH		18
5 Holding Torque	Nm	0.9
6 Weight	KG.	0.590
7 No of Lead	N°	4
8 Operating Voltage	VDC	24 - 50
9 Linear Step size - 10 micron per full step		

Wiring Diagram



DRIVE SET



Bholanath Precision Engineering Pvt.Ltd.

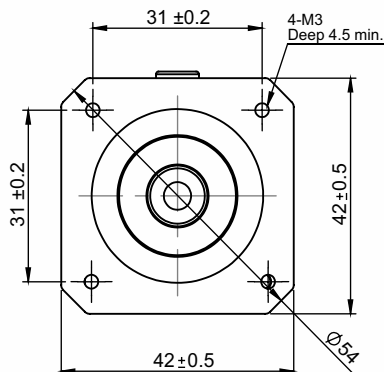
11,Kembros Ind.Estate , Sonapur Lane , Bhandup (W),Mumbai - 400078.
Telefax/Phone : 25662856/25664338/67993260 Email : support@bholanath.in
Mobile No : 9920903825/9821671733/9930514603/9819515543/9323166582.

SPECIFICATION SHEET
Bholanath

STEPPER MOTOR
BH 42 SH 60 - 0854 LA-NC(TR8 X 8)
HIGH TORQUE HYBRID

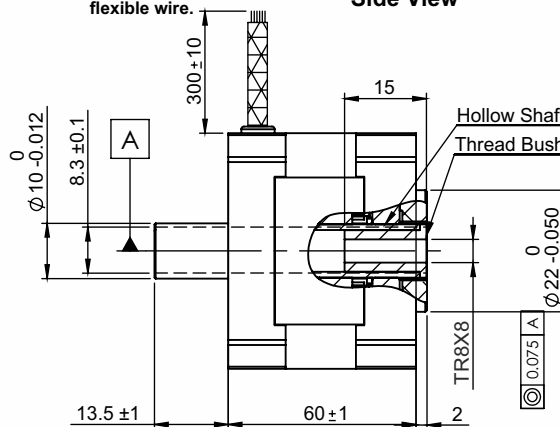


Front View & Mounting

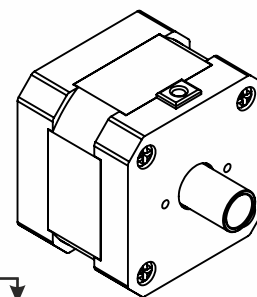
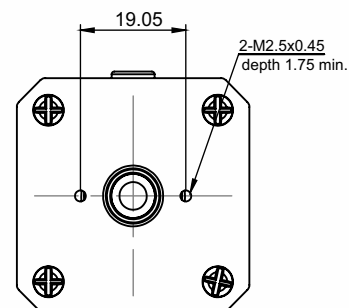


Single Core x 0.21 Sq.mm
Multistrand P.V.C. Sheathed
flexible wire.

Side View



Rear View



- ▶ Screw Length : 200 mm.
- ▶ Model Type : Linear Actuator Non Captive Stepper Motor

TECHNICAL DATA

CHARACTERISTICS

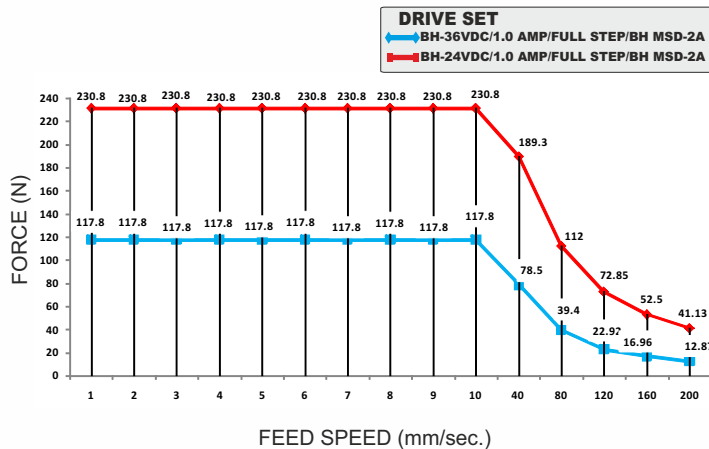
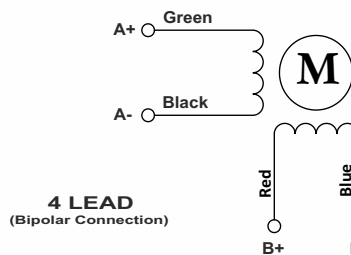
Step Angle - 1.8°
Step Angle Accuracy - ± 3 arc Minute
Insulation Class - H
Ambient Temperature - (- 20°C to + 50°C)
Temperature Rise - 80°C Max. (Rated Current Phase 2 ON)
Insulation Resistance 100 M Ohms Min.500 VDC
Dielectric Strength 500 VAC For One Minute
Shaft Radial Play 0.02 Max. Play (450 G Load)
Shaft Axial Play 0.08 Max. Play (450 G Load)
Max.Radial Force 28 N (20MM From Front Flange)

SPECIFICATION

BH 42 SH 60 - 0854 LA-NC(TR8 X 8)

MODEL	Bipolar	
1 Rated Voltage	V	10.2
2 Current / Phase	A	0.85
3 Resistance / Phase ± 10% Ω		12
4 Inductance / Phase ± 20% mH		18
5 Holding Torque	Nm	0.9
6 Weight	KG.	0.590
7 No of Lead	N°	4
8 Operating Voltage	VDC	24 - 48
9 Linear Step size - 40 micron per full step		

Wiring Diagram



COMMITTED TO PRECISION

BHOLANATH COOL STEPPERS™

Bholanath Precision Engineering Pvt.Ltd.

11,Kembros Ind.Estate , Sonapur Lane , Bhandup (W),Mumbai - 400078.

Telefax/Phone : 25662856/25664338/67993260 Email : support@bholanath.in

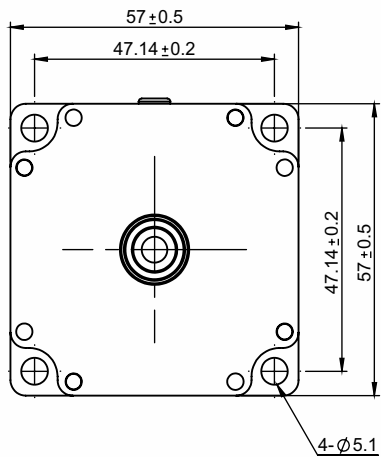
Mobile No : 9920903825/9821671733/9930514603/9819515543/9323166582.

SPECIFICATION SHEET
Bholanath

STEPPER MOTOR
BH 57 SH 51 - 2804 LA-NC(M10X1.5)
HIGH TORQUE HYBRID

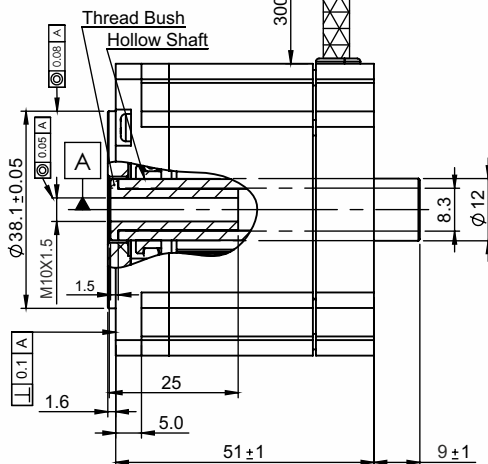


Front View & Mounting

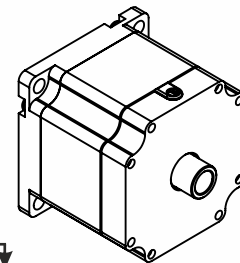
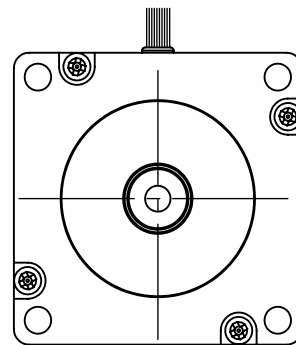


Single Core x 0.34 Sq.mm
Multistrand P.V.C.Sheathed
flexible wire.

Side View



Rear View



- Screw Length : 200 mm.
- Model Type : Linear Actuator Non Captive Stepper Motor

TECHNICAL DATA

CHARACTERISTICS

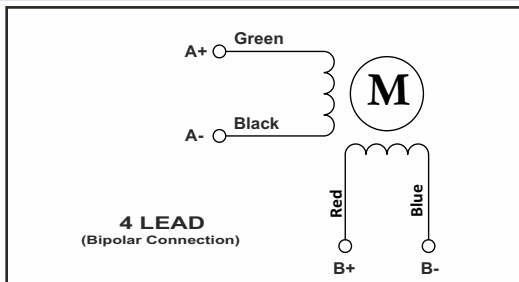
- Step Angle - 1.8°
- Step Angle Accuracy - ± 3 Arc Minute
- Insulation Class - H
- Ambient Temperature - (- 20°C to + 50°C)
- Temperature Rise - 80°C Max. (Rated Current Phase 2 ON)
- Insulation Resistance 100 M Ohms Min.500 VDC
- Dielectric Strength 500 VAC For One Minute
- Shaft Radial Play 0.02 Max. Play (450 G Load)
- Shaft Axial Play 0.08 Max. Play (450 G Load)
- Max.Radial Force 75 N (20MM From Front Flange)

SPECIFICATION

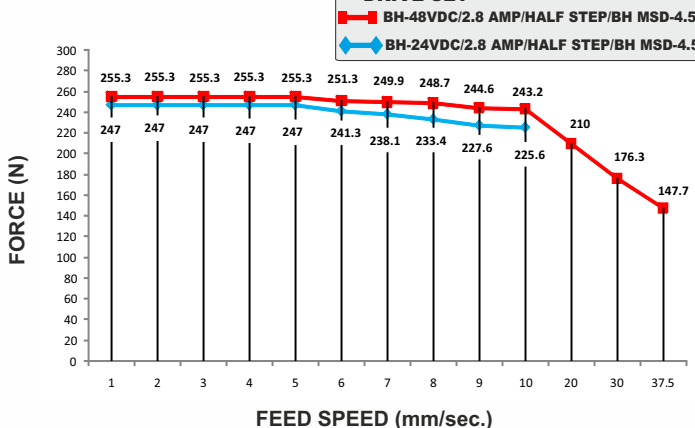
BH 57 SH 51 - 2804 LA-NC(M10X1.5)

MODEL	Bipolar	
1 Rated Voltage	V	2.46
2 Current / Phase	A	2.8
3 Resistance / Phase ± 10% Ω		0.88
4 Inductance / Phase ± 20% mH		2.2
5 Holding Torque	Nm	1.01
6 Weight	KG.	0.850
7 No of Lead	N°	4
8 Operating Voltage	VDC	24 - 48
9 Linear Step size - 7.5 micron per full step		

Wiring Diagram



DRIVE SET



Bholanath Precision Engineering Pvt.Ltd.

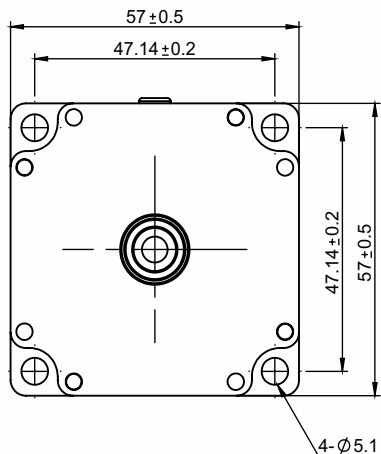
11,Kembros Ind.Estate , Sonapur Lane , Bhandup (W),Mumbai - 400078.
Telefax/Phone : 25662856/25664338/67993260 Email : support@bholanath.in
Mobile No : 9920903825/9821671733/9930514603/9819515543/9323166582.

SPECIFICATION SHEET
Bholanath

STEPPER MOTOR
BH 57 SH 51 - 2804 LA-NC(M10X2)
HIGH TORQUE HYBRID

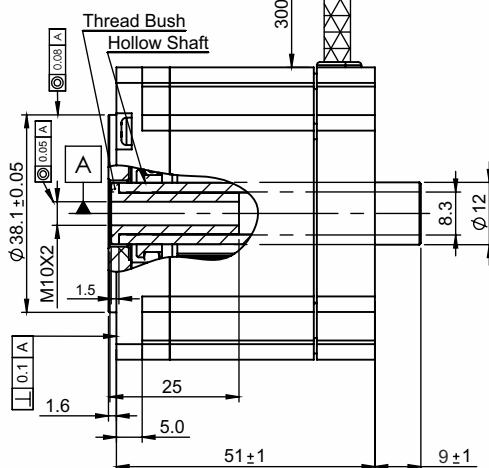


Front View & Mounting

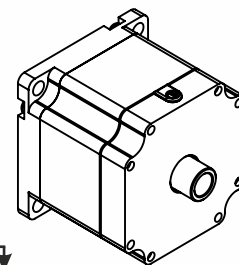
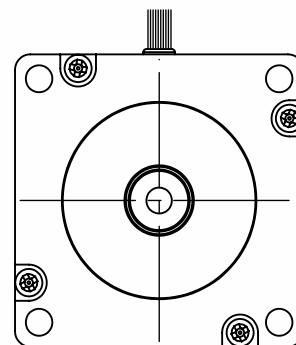


Single Core x 0.34 Sq.mm
Multistrand P.V.C.Sheathed
flexible wire.

Side View



Rear View



- Screw Length : 200 mm.
- Model Type : Linear Actuator Non Captive Stepper Motor

TECHNICAL DATA

CHARACTERISTICS

- Step Angle - 1.8°
- Step Angle Accuracy - ± 3 Arc Minute
- Insulation Class - H
- Ambient Temperature - (- 20°C to + 50°C)
- Temperature Rise - 80°C Max. (Rated Current Phase 2 ON)
- Insulation Resistance 100 M Ohms Min.500 VDC
- Dielectric Strength 500 VAC For One Minute
- Shaft Radial Play 0.02 Max. Play (450 G Load)
- Shaft Axial Play 0.08 Max. Play (450 G Load)
- Max.Radial Force 75 N (20MM From Front Flange)

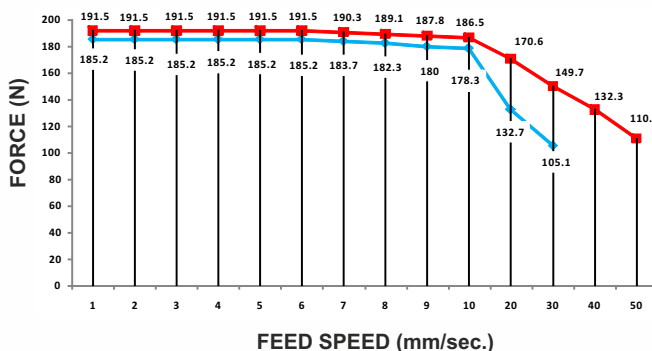
SPECIFICATION

BH 57 SH 51 - 2804 LA-NC(M10X2)

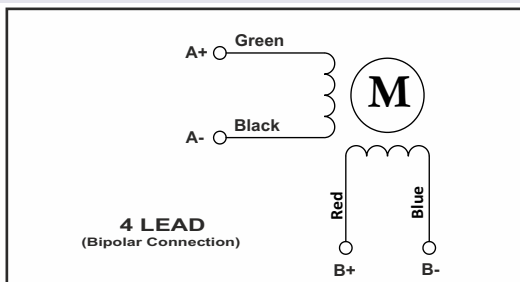
MODEL		Bipolar
1	Rated Voltage	V 2.46
2	Current / Phase	A 2.8
3	Resistance / Phase	± 10% Ω 0.88
4	Inductance / Phase	± 20% mH 2.2
5	Holding Torque	Nm 1.01
6	Weight	KG. 0.850
7	No of Lead	N° 4
8	Operating Voltage	VDC 24 - 48
9	Linear Step size - 10 micron per full step	

DRIVE SET

- BH-48VDC/2.8 AMP/HALF STEP/BH MSD-4.5A
- ◆ BH-24VDC/2.8 AMP/HALF STEP/BH MSD-4.5A



Wiring Diagram



COMMITTED TO PRECISION

BHOLANATH COOL STEPPERS™

Bholanath Precision Engineering Pvt.Ltd.

11,Kembros Ind.Estate , Sonapur Lane , Bhandup (W),Mumbai - 400078.

Telefax/Phone : 25662856/25664338/67993260 Email : support@bholanath.in

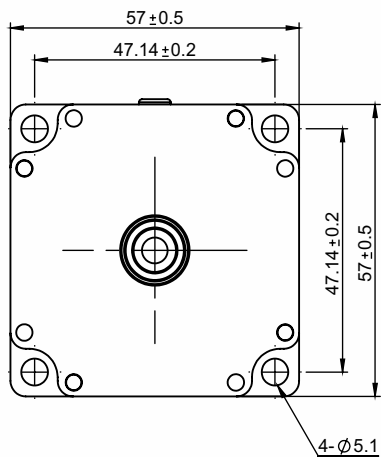
Mobile No : 9920903825/9821671733/9930514603/9819515543/9323166582.

SPECIFICATION SHEET
Bholanath

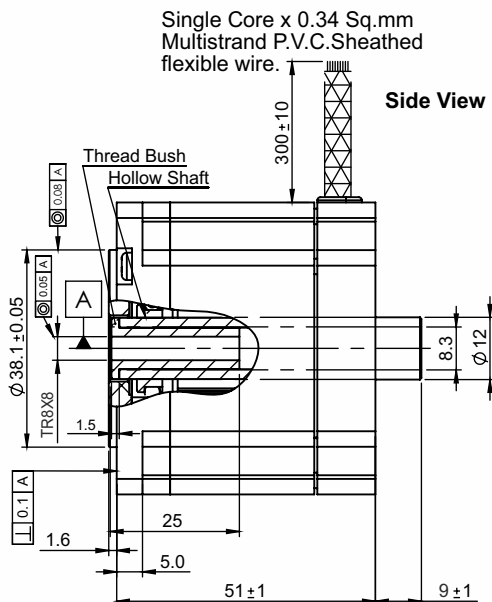
STEPPER MOTOR
BH 57 SH 51 - 2804 LA-NC(TR8 X 8)
HIGH TORQUE HYBRID



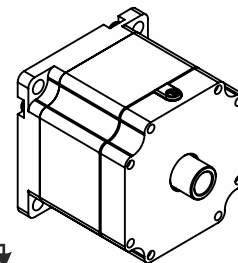
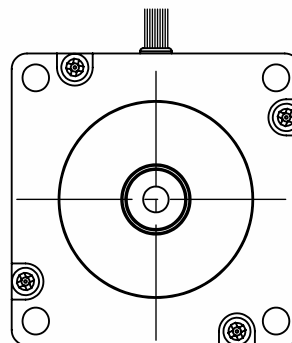
Front View & Mounting



Side View



Rear View



- **Screw Length : 200 mm.**
- **Model Type : Linear Actuator Non Captive Stepper Motor**

TECHNICAL DATA

CHARACTERISTICS

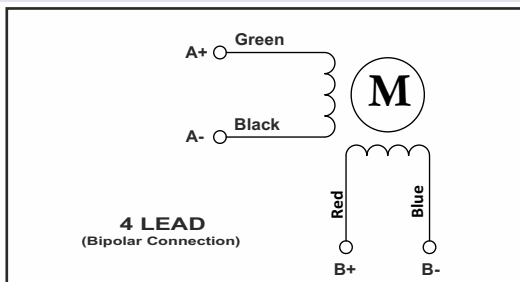
- Step Angle - 1.8°
- Step Angle Accuracy - ± 3 Arc Minute
- Insulation Class - H
- Ambient Temperature - (- 20°C to + 50°C)
- Temperature Rise - 80°C Max. (Rated Current Phase 2 ON)
- Insulation Resistance 100 M Ohms Min.500 VDC
- Dielectric Strength 500 VAC For One Minute
- Shaft Radial Play 0.02 Max. Play (450 G Load)
- Shaft Axial Play 0.08 Max. Play (450 G Load)
- Max.Radial Force 75 N (20MM From Front Flange)

SPECIFICATION

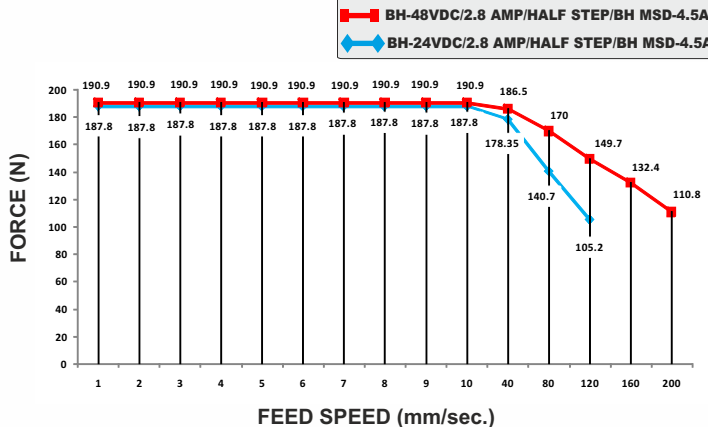
BH 57 SH 51 - 2804 LA-NC(TR8 X 8)

MODEL		Bipolar
1	Rated Voltage	V 2.46
2	Current / Phase	A 2.8
3	Resistance / Phase ± 10%	Ω 0.88
4	Inductance / Phase ± 20%	mH 2.2
5	Holding Torque	Nm 1.01
6	Weight	KG. 0.850
7	No of Lead	N° 4
8	Operating Voltage	VDC 24 - 48
9	Linear Step size - 40 micron per full step	

Wiring Diagram



DRIVE SET



Bholanath Precision Engineering Pvt.Ltd.

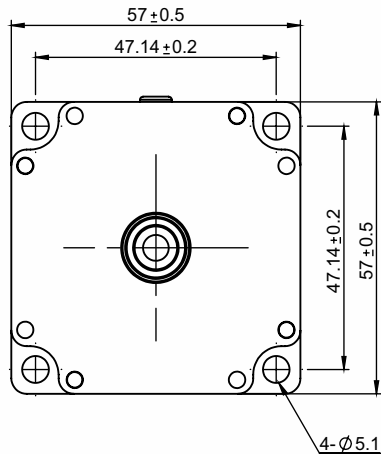
11,Kembros Ind.Estate , Sonapur Lane , Bhandup (W),Mumbai - 400078.
Telefax/Phone : 25662856/25664338/67993260 Email : support@bholanath.in
Mobile No : 9920903825/9821671733/9930514603/9819515543/9323166582.

SPECIFICATION SHEET
Bholanath

STEPPER MOTOR
BH 57 SH 76 - 2804 LA-NC (M10 X 1.5)
HIGH TORQUE HYBRID

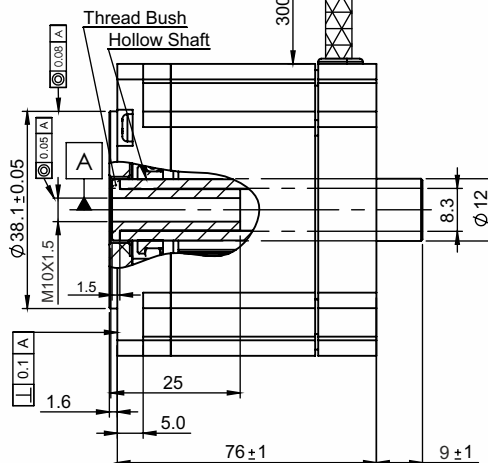


Front View & Mounting

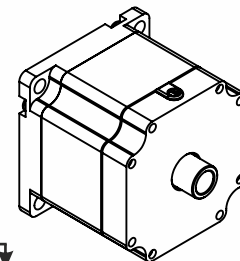
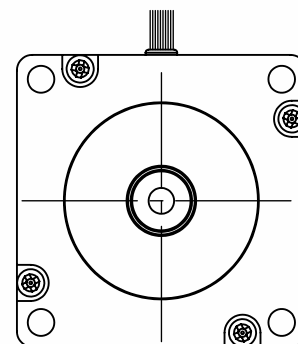


Single Core x 0.34 Sq.mm
Multistrand P.V.C.Sheathed
flexible wire.

Side View



Rear View



- Screw Length : 200 mm.
- Model Type : Linear Actuator Non Captive Stepper Motor

TECHNICAL DATA

CHARACTERISTICS

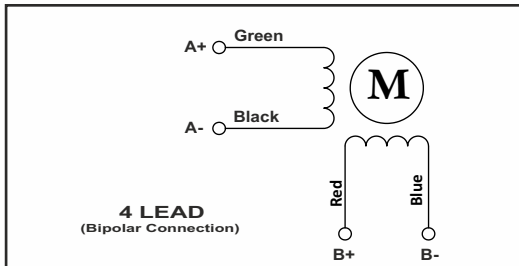
- Step Angle - 1.8°
- Step Angle Accuracy - ± 3 Arc Minute
- Insulation Class - H
- Ambient Temperature - (- 20°C to + 50°C)
- Temperature Rise - 80° C Max.
(Rated Current Phase 2 ON)
- Insulation Resistance
100 M Ohms Min.500 VDC
- Dielectric Strength
500 VAC For One Minute
- Shaft Radial Play
0.02 Max. Play (450 G Load)
- Shaft Axial Play
0.08 Max. Play (450 G Load)
- Max.Radial Force
75 N (20MM From Front Flange)

SPECIFICATION

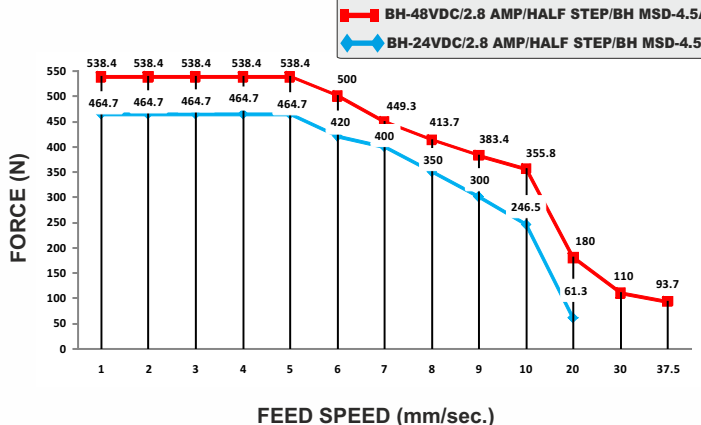
BH 57 SH 76 - 2804 LA-NC (M10 X 1.5)

	MODEL		Bipolar
1	Rated Voltage	V	3.36
2	Current / Phase	A	2.8
3	Resistance / Phase ± 10%	Ω	1.2
4	Inductance / Phase ± 20%	mH	4.5
5	Holding Torque	Nm	1.89
6	Weight	KG.	1.250
7	No of Lead	N°	4
8	Operating Voltage	VDC	24 - 48
9	Linear Step size - 7.5 micron per full step		

Wiring Diagram



DRIVE SET



Bholanath Precision Engineering Pvt.Ltd.

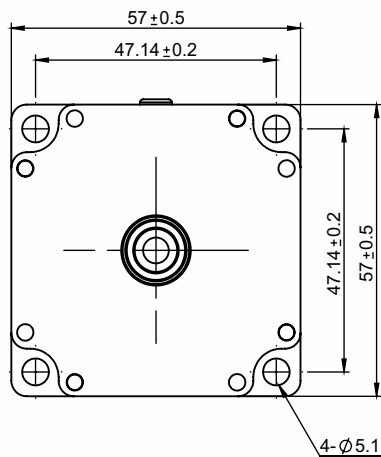
11,Kembros Ind.Estate , Sonapur Lane , Bhandup (W),Mumbai - 400078.
Telefax/Phone : 25662856/25664338/67993260 Email : support@bholanath.in
Mobile No : 9920903825/9821671733/9930514603/9819515543/9323166582.

SPECIFICATION SHEET
Bholanath

STEPPER MOTOR
BH 57 SH 76 - 2804 LA-NC (M10 X 2)
HIGH TORQUE HYBRID

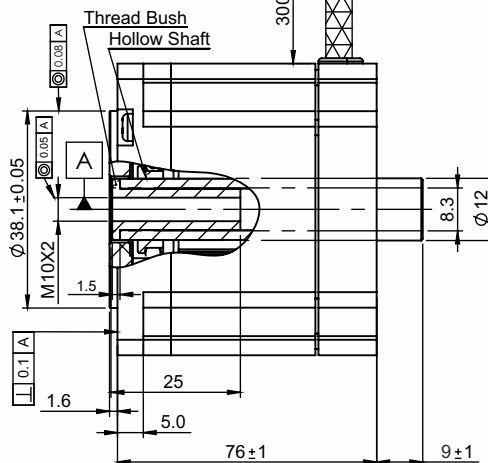


Front View & Mounting

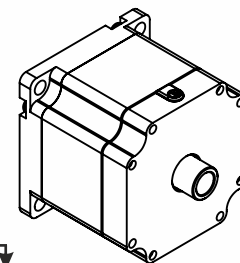
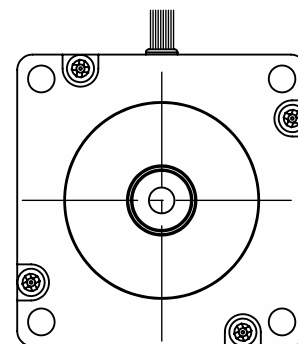


Single Core x 0.34 Sq.mm
Multistrand P.V.C. Sheathed
flexible wire.

Side View



Rear View



- Screw Length : 200 mm.
- Model Type : Linear Actuator Non Captive Stepper Motor

TECHNICAL DATA

CHARACTERISTICS

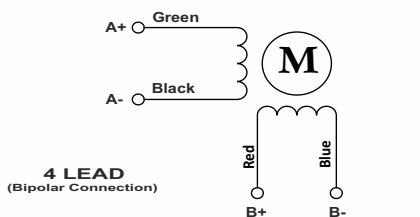
- Step Angle - 1.8°
- Step Angle Accuracy - ± 3 Arc Minute
- Insulation Class - H
- Ambient Temperature - (- 20°C to + 50°C)
- Temperature Rise - 80°C Max. (Rated Current Phase 2 ON)
- Insulation Resistance
100 M Ohms Min.500 VDC
- Dielectric Strength
500 VAC For One Minute
- Shaft Radial Play
0.02 Max. Play (450 G Load)
- Shaft Axial Play
0.08 Max. Play (450 G Load)
- Max.Radial Force
75 N (20MM From Front Flange)

SPECIFICATION

BH 57 SH 76 - 2804 LA-NC (M10 X 2)

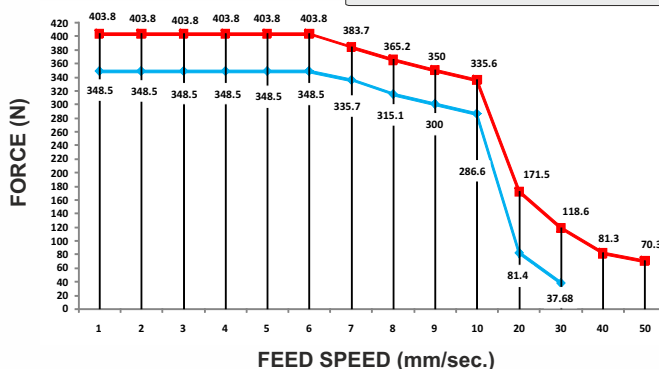
	MODEL		Bipolar
1	Rated Voltage	V	3.36
2	Current / Phase	A	2.8
3	Resistance / Phase ± 10%	Ω	1.2
4	Inductance / Phase ± 20%	mH	4.5
5	Holding Torque	Nm	1.89
6	Weight	KG.	1.250
7	No of Lead	N ^o	4
8	Operating Voltage	VDC	24 - 48
9	Linear Step size - 10 micron per full step		

Wiring Diagram



DRIVE SET

- BH-48VDC/2.8 AMP/HALF STEP/BH MSD-4.5A
- ◆ BH-24VDC/2.8 AMP/HALF STEP/BH MSD-4.5A



Bholanath Precision Engineering Pvt.Ltd.

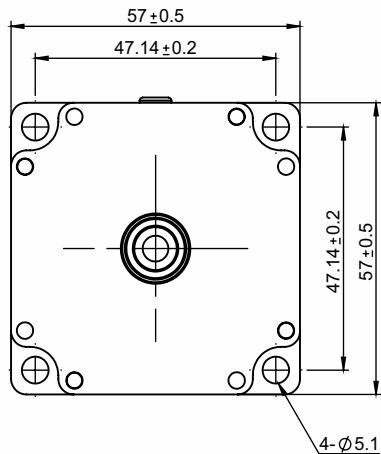
11,Kembros Ind.Estate , Sonapur Lane , Bhandup (W),Mumbai - 400078.
Telefax/Phone : 25662856/25664338/67993260 Email : support@bholanath.in
Mobile No : 9920903825/9821671733/9930514603/9819515543/9323166582.

SPECIFICATION SHEET
Bholanath

STEPPER MOTOR
BH 57 SH 76 - 2804 LA-NC (TR8 X8)
HIGH TORQUE HYBRID

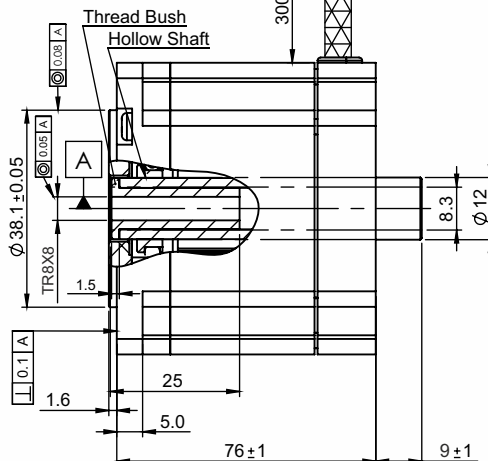


Front View & Mounting

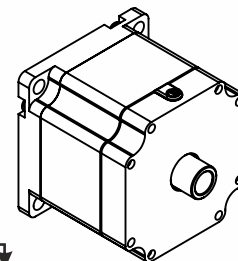
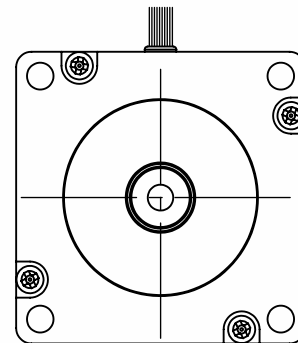


Single Core x 0.34 Sq.mm
Multistrand P.V.C. Sheathed
flexible wire.

Side View



Rear View



- **Screw Length : 200 mm.**
- **Model Type : Linear Actuator Non Captive Stepper Motor**

TECHNICAL DATA

CHARACTERISTICS

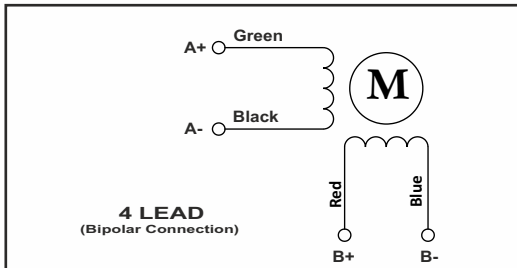
- Step Angle - 1.8°
- Step Angle Accuracy - ± 3 Arc Minute
- Insulation Class - H
- Ambient Temperature - (- 20°C to + 50°C)
- Temperature Rise - 80°C Max.
(Rated Current Phase 2 ON)
- Insulation Resistance
100 M Ohms Min.500 VDC
- Dielectric Strength
500 VAC For One Minute
- Shaft Radial Play
0.02 Max. Play (450 G Load)
- Shaft Axial Play
0.08 Max. Play (450 G Load)
- Max.Radial Force
75 N (20MM From Front Flange)

SPECIFICATION

BH 57 SH 76 - 2804 LA-NC (TR8 X 8)

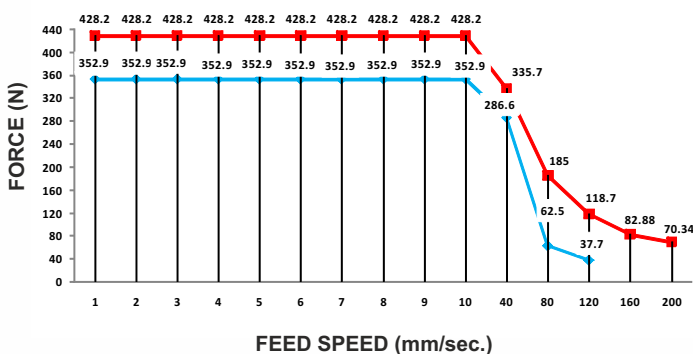
	MODEL	Bipolar
1	Rated Voltage	V 3.36
2	Current / Phase	A 2.8
3	Resistance / Phase ± 10%	Ω 1.2
4	Inductance / Phase ± 20%	mH 4.5
5	Holding Torque	Nm 1.89
6	Weight	KG. 1.250
7	No of Lead	N° 4
8	Operating Voltage	VDC 24 - 48
9	Linear Step size - 40 micron per full step	

Wiring Diagram



DRIVE SET

- BH-48VDC/2.8 AMP/HALF STEP/BH MSD-4.5A
- ◆ BH-24VDC/2.8 AMP/HALF STEP/BH MSD-4.5A

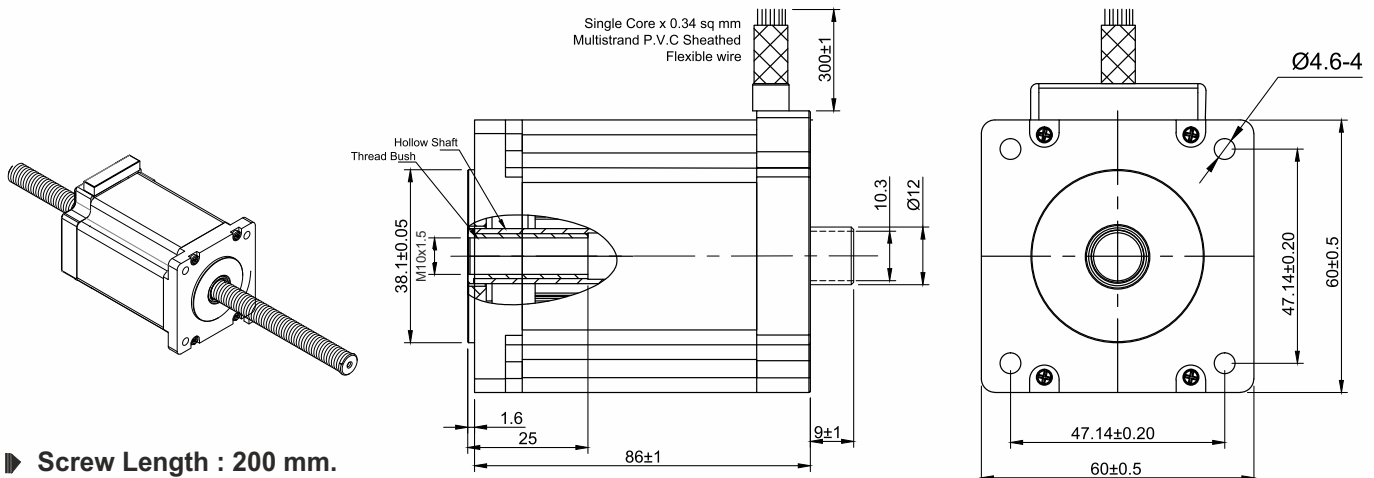


Bholanath Precision Engineering Pvt.Ltd.

11,Kembros Ind.Estate , Sonapur Lane , Bhandup (W),Mumbai - 400078.
Telefax/Phone : 25662856/25664338/67993260 Email : support@bholanath.in
Mobile No : 9920903825/9821671733/9930514603/9819515543/9323166582.

SPECIFICATION SHEET
Bholanath

STEPPER MOTOR
BH60 SH 86 - 4004LA-NC (M10X1.5)
HIGH TORQUE HYBRID



► Screw Length : 200 mm.

► Model Type : Linear Actuator Non Captive Stepper Motor

TECHNICAL DATA

CHARACTERISTICS

Step Angle - 1.8°

Step Angle Accuracy - ± 3 Arc Minute

Insulation Class - H

Ambient Temperature - - 20°C + 50°C

Temperature Rise - 80°C Max.
(Rated Current Phase 2 ON)

Insulation Resistance
100 M Ohms Min.500 VDC

Dielectric Strength
500 VAC For One Minute

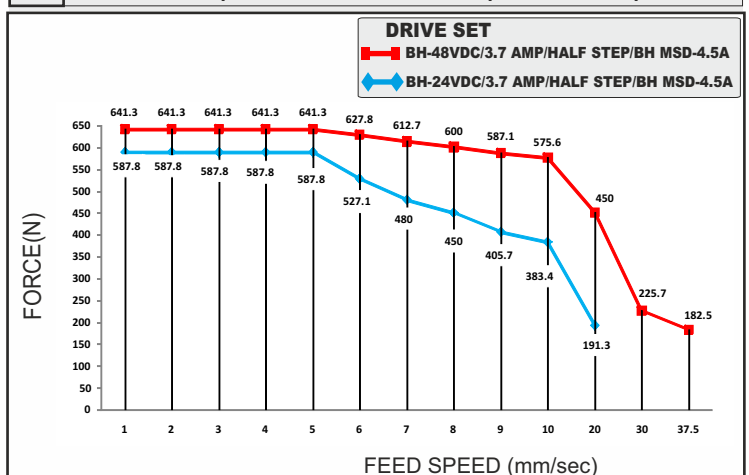
Shaft Radial Play
0.02 Max. Play (450 G Load)

Shaft Axial Play
0.08 Max. Play (450 G Load)

Max.Radial Force
75 N (20MM From Front Flange)

SPECIFICATION BH60SH86 - 4004 LA-NC(M101.5)

	MODEL		Bipolar
1	Rated Voltage	V	2.76
2	Current / Phase	A	4
3	Resistance / Phase	± 10% Ω	0.69
4	Inductance / Phase	± 20% mH	2.65
5	Holding Torque	Nm	3.1
6	Rotor Inertia	G-CM ²	840
7	Weight	KG.	1.4
8	No of Lead	N ⁰	4
9	Operating Voltage	VDC	24 - 48
10	Linear Step size - 7.5 micron per full step		



STEPPER MOTOR - BH60SH86-4004LA-NC(M10X1.5)



Bholanath Precision Engineering Pvt.Ltd.

11,Kembros Ind.Estate , Sonapur Lane , Bhandup (W),Mumbai - 400078.

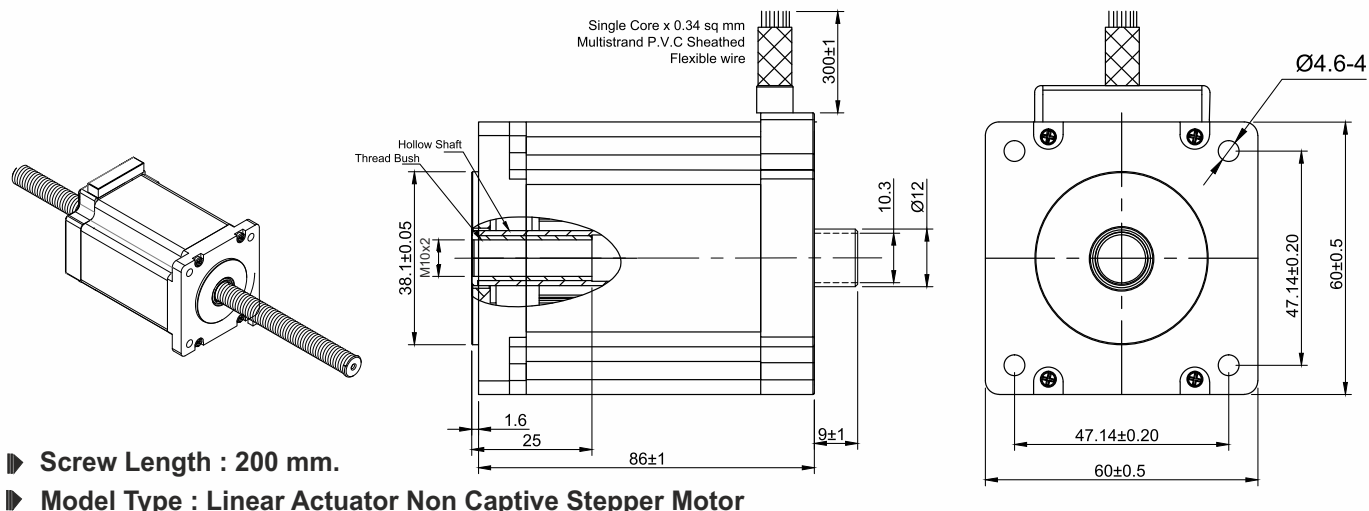
Telefax/Phone : 25662856/25664338/67993260 Email : support@bholanath.in

Mobile No : 9920903825/9821671733/9930514603/9819515543/9323166582.

SPECIFICATION SHEET
Bholanath

STEPPER MOTOR
BH60 SH 86 - 4004LA-NC (M10X2)
HIGH TORQUE HYBRID

Bholanath™
COMMITTED TO PRECISION



TECHNICAL DATA

CHARACTERISTICS

Step Angle - 1.8°

Step Angle Accuracy - ± 3 Arc Minute

Insulation Class - H

Ambient Temperature - - 20°C + 50°C

Temperature Rise - 80°C Max.
(Rated Current Phase 2 ON)

Insulation Resistance
100 M Ohms Min.500 VDC

Dielectric Strength
500 VAC For One Minute

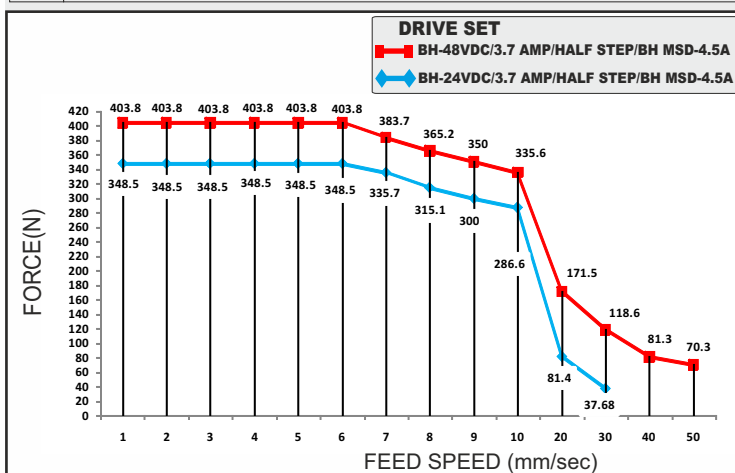
Shaft Radial Play
0.02 Max. Play (450 G Load)

Shaft Axial Play
0.08 Max. Play (450 G Load)

Max.Radial Force
75 N (20MM From Front Flange)

SPECIFICATION BH60SH86 - 4004 LA-NC(M10X2)

	MODEL		Bipolar
1	Rated Voltage	V	2.76
2	Current / Phase	A	4
3	Resistance / Phase	± 10% Ω	0.69
4	Inductance / Phase	± 20% mH	2.65
5	Holding Torque	Nm	3.1
6	Rotor Inertia	G-CM ²	840
7	Weight	KG.	1.4
8	No of Lead	N ^o	4
9	Operating Voltage	VDC	24 - 48
10	Linear Step size - 10 micron per full step		



STEPPER MOTOR - BH60SH86-4004LA-NC(M10X2)

Bholanath™

COMMITTED TO PRECISION

BHOLANATH COOL STEPPERS™

Bholanath Precision Engineering Pvt.Ltd.

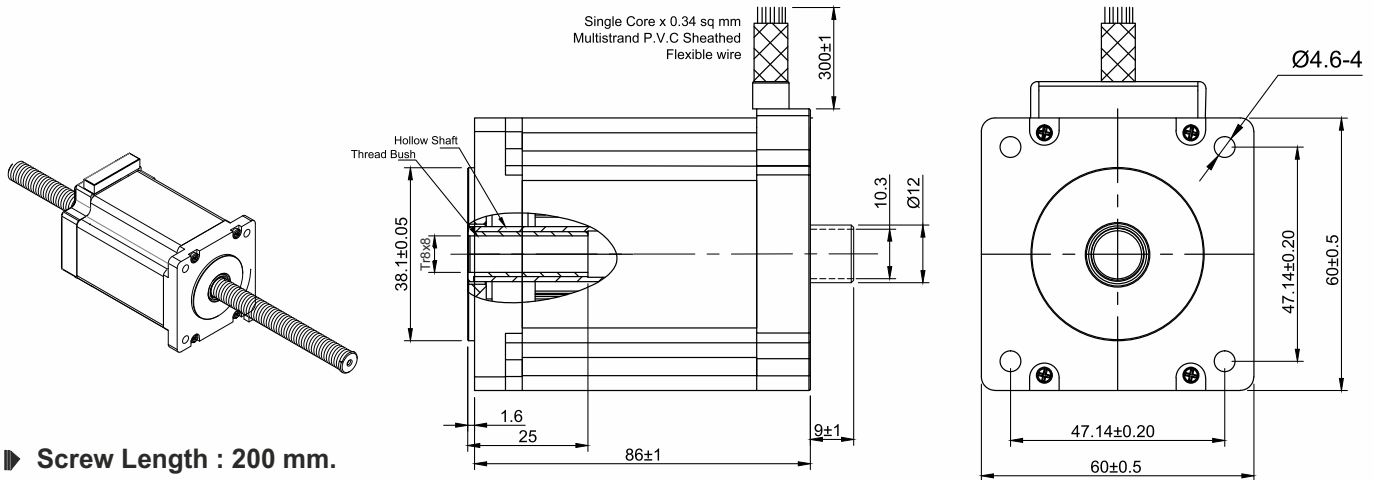
11,Kembros Ind.Estate , Sonapur Lane , Bhandup (W),Mumbai - 400078.

Telefax/Phone : 25662856/25664338/67993260 Email : support@bholanath.in

Mobile No : 9920903825/9821671733/9930514603/9819515543/9323166582.

SPECIFICATION SHEET
Bholanath

STEPPER MOTOR
BH60 SH 86 - 4004LA-NC (TR8X8)
HIGH TORQUE HYBRID



- ▶ Screw Length : 200 mm.
- ▶ Model Type : Linear Actuator Non Captive Stepper Motor

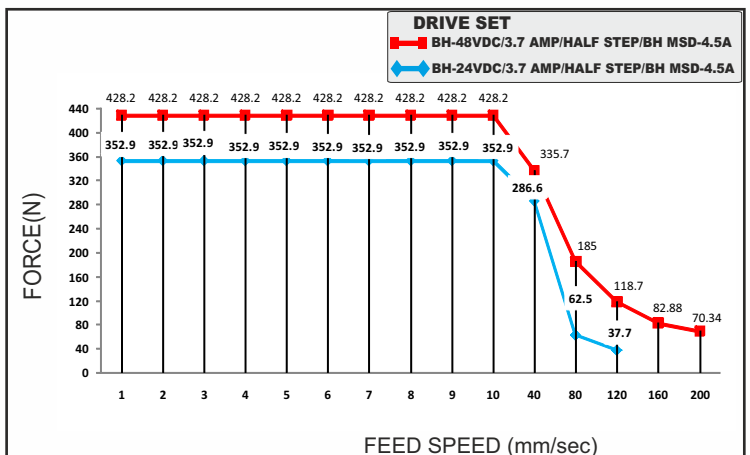
TECHNICAL DATA

CHARACTERISTICS

Step Angle - 1.8°
Step Angle Accuracy - ± 5%
Insulation Class - H
Ambient Temperature - - 20°C + 50°C
Temperature Rise - 80°C Max. (Rated Current Phase 2 ON)
Insulation Resistance 100 M Ohms Min.500 VDC
Dielectric Strength 500 VAC For One Minute
Shaft Radial Play 0.02 Max. Play (450 G Load)
Shaft Axial Play 0.08 Max. Play (450 G Load)
Max.Radial Force 75 N (20MM From Front Flange)

SPECIFICATION BH60SH86 - 4004 LA-NC(TR8X8)

	MODEL		Bipolar
1	Rated Voltage	V	2.76
2	Current / Phase	A	4
3	Resistance / Phase	± 10% Ω	0.69
4	Inductance / Phase	± 20% mH	2.65
5	Holding Torque	Nm	3.1
6	Rotor Inertia	G-CM ²	840
7	Weight	KG.	1.4
8	No of Lead	N ⁰	4
9	Operating Voltage	VDC	24 - 48
10	Linear Step size - 40 micron per full step		



STEPPER MOTOR - BH60SH86-4004LA-NC(TR8X8)

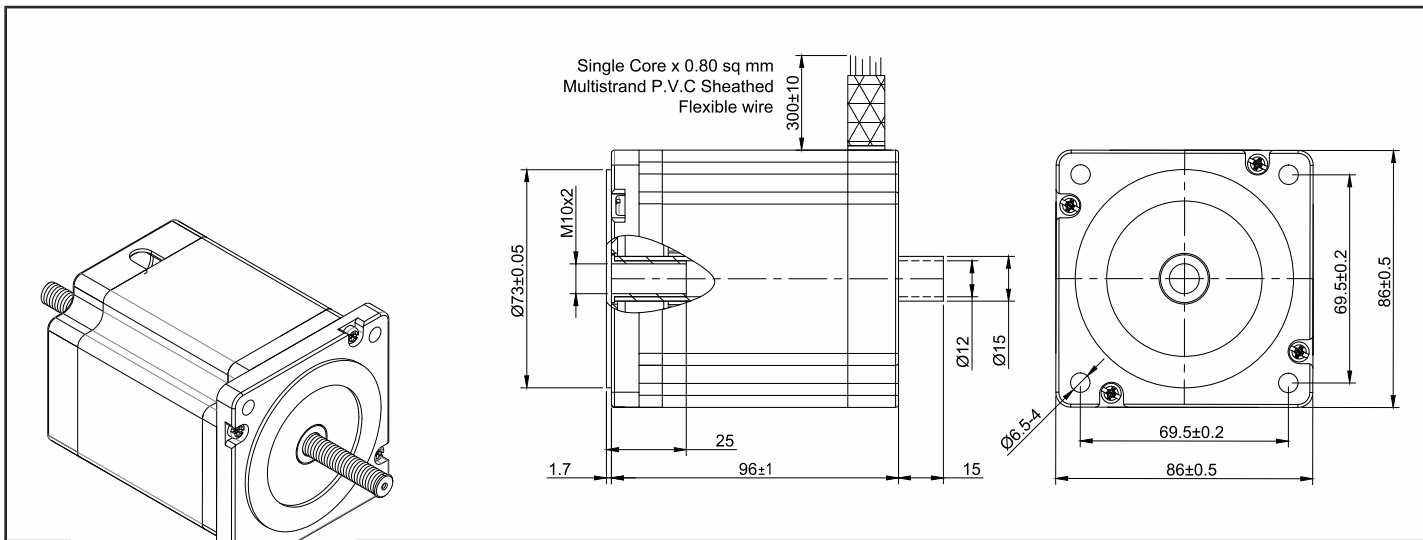


Bholanath Precision Engineering Pvt.Ltd.

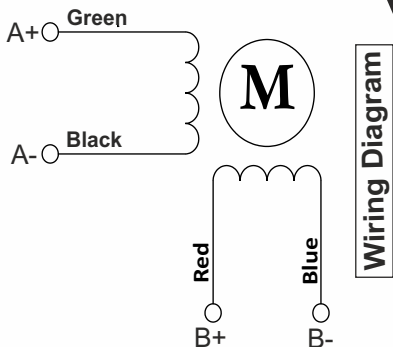
11,Kembros Ind.Estate , Sonapur Lane , Bhandup (W),Mumbai - 400078.
Telefax/Phone : 25662856/25664338/67993260 Email : support@bholanath.in
Mobile No : 9920903825/9821671733/9930514603/9819515543/9323166582.

SPECIFICATION SHEET
Bholanath

STEPPER MOTOR
BH86 SH 96 - 5504LA-NC(M10X2)
HIGH TORQUE HYBRID

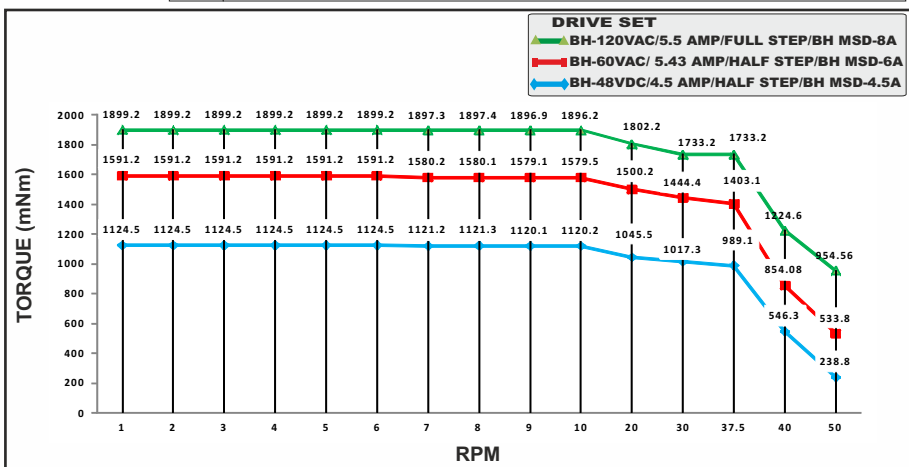


TECHNICAL DATA



SPECIFICATION BH86SH96 - 5504 LA-NC(M10X2)		
	MODEL	Bipolar
1	Rated Voltage	V
2	Current / Phase	A
3	Resistance / Phase	± 10% Ω
4	Inductance / Phase	± 20% mH
5	Holding Torque	Nm
6	Rotor Inertia	G-CM ²
7	Weight	KG.
8	No of Lead	N ⁰
9	Operating Voltage	VDC
10	Operating Voltage	VAC
11	Linear Step size - 10 micron per full step	

CHARACTERISTICS
Step Angle - 1.8°
Step Angle Accuracy - ± 3 Arc Minute
Insulation Class - H
Ambient Temperature - - 20°C + 50
Temperature Rise - 80°C Max. (Rated Current Phase 2 ON)
Insulation Resistance 100 M Ohms Min.500 VDC
Dielectric Strength 820 VAC For One Minute
Shaft Radial Play 0.02 Max. Play (450 G Load)
Shaft Axial Play 0.08 Max. Play (450 G Load)
Max.Radial Force 220 N (20MM From Front Flange)



STEPPER MOTOR - BH86SH96 - 5504LA-NC(M10X2)

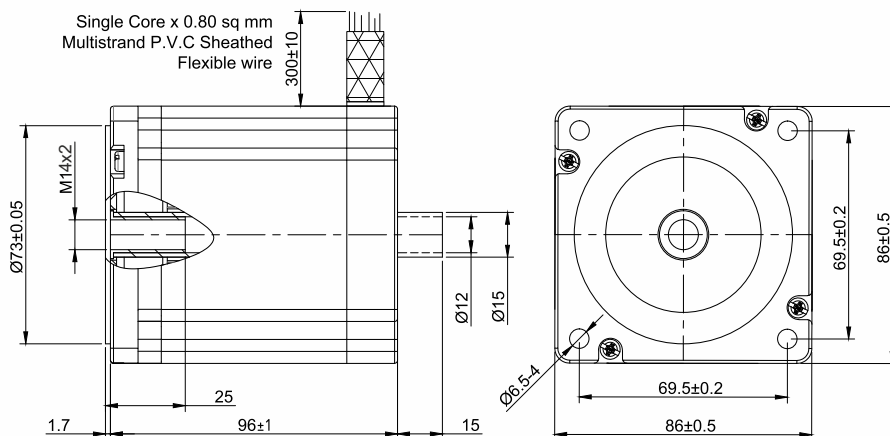
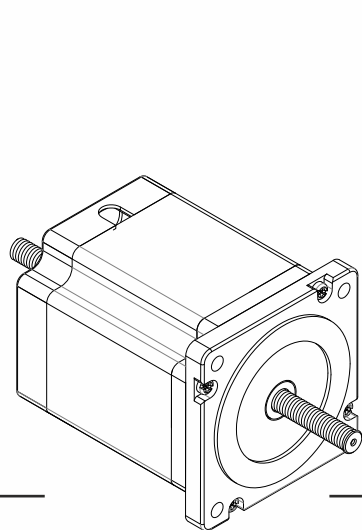


Bholanath Precision Engineering Pvt.Ltd.

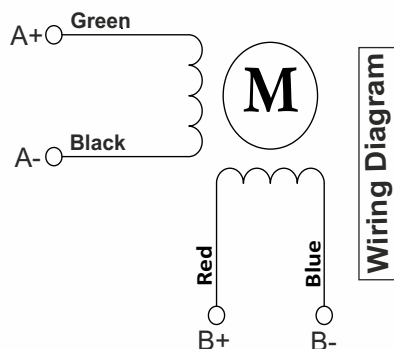
11,Kembros Ind.Estate , Sonapur Lane , Bhandup (W),Mumbai - 400078.
Telefax/Phone : 25662856/25664338/67993260 Email : support@bholanath.in
Mobile No : 9920903825/9821671733/9930514603/9819515543/9323166582.

SPECIFICATION SHEET
Bholanath

STEPPER MOTOR
BH86 SH 96 - 5504LA-NC(M14X2)
HIGH TORQUE HYBRID



TECHNICAL DATA



Wiring Diagram

SPECIFICATION BH86SH96 - 5504 LA-NC(M14X2)			
	MODEL		Bipolar
1	Rated Voltage	V	2.75
2	Current / Phase	A	5.5
3	Resistance / Phase	± 10% Ω	0.5
4	Inductance / Phase	± 20% mH	3.55
5	Holding Torque	Nm	7.00
6	Rotor Inertia	G-CM ²	2700
7	Weight	KG.	3.1
8	No of Lead	N ⁰	4
9	Operating Voltage	VDC	48 - 170
10	Operating Voltage	VAC	34 - 120
11	Linear Step size - 10 micron per full step		

CHARACTERISTICS

Step Angle - 1.8°

Step Angle Accuracy - ± 3 Arc Minute

Insulation Class - H

Ambient Temperature - - 20 C₀+ 50°C

Temperature Rise - 80°C Max.
(Rated Current Phase 2 ON)

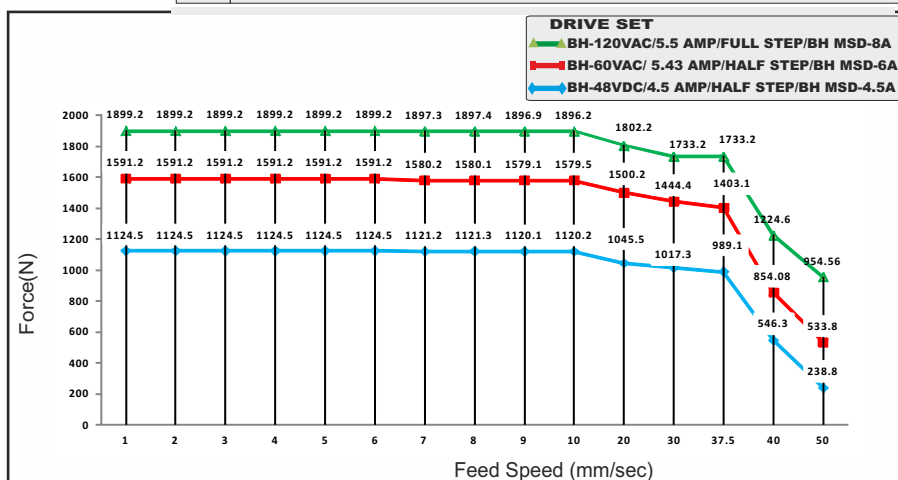
Insulation Resistance
100 M Ohms Min.500 VDC

Dielectric Strength
820 VAC For One Minute

Shaft Radial Play
0.02 Max. Play (450 G Load)

Shaft Axial Play
0.08 Max. Play (450 G Load)

Max.Radial Force
220 N (20MM From Front Flange)



STEPPER MOTOR - BH86SH96 - 5504LA-NC(M14X2)



COMMITTED TO PRECISION

BHOLANATH COOL STEPPERS™

Bholanath Precision Engineering Pvt.Ltd.

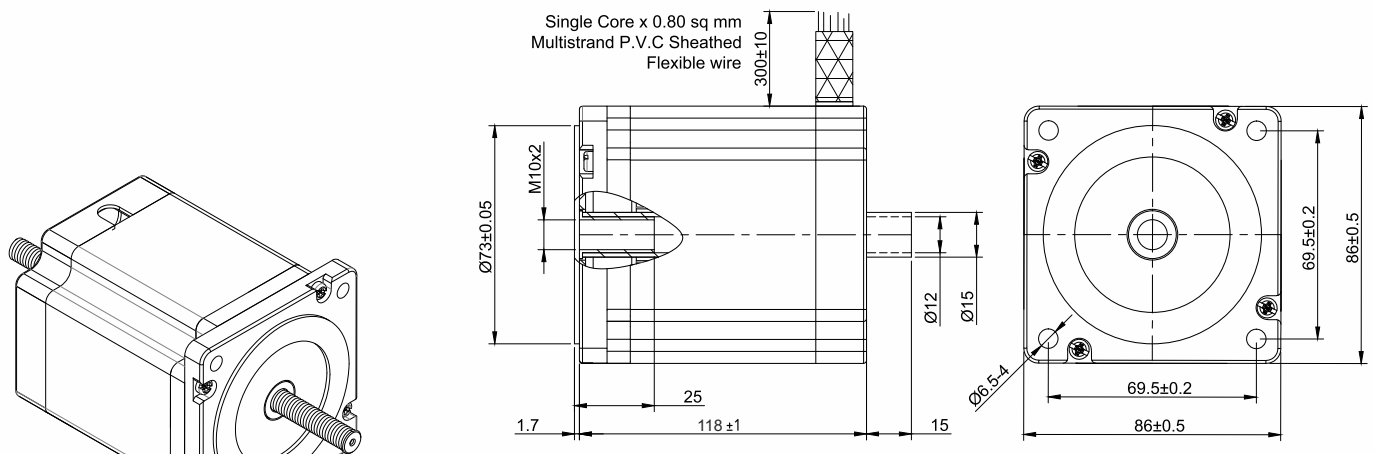
11,Kembros Ind.Estate , Sonapur Lane , Bhandup (W),Mumbai - 400078.

Telefax/Phone : 25662856/25664338/67993260 Email : support@bholanath.in

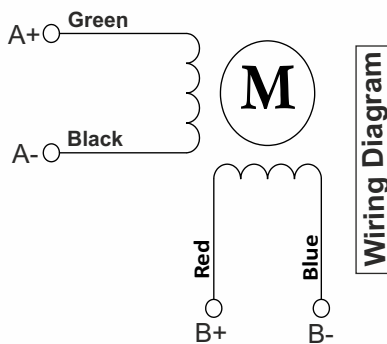
Mobile No : 9920903825/9821671733/9930514603/9819515543/9323166582.

SPECIFICATION SHEET
Bholanath

STEPPER MOTOR
BH86 SH 118 - 6004LA-NC(M10X2)
HIGH TORQUE HYBRID



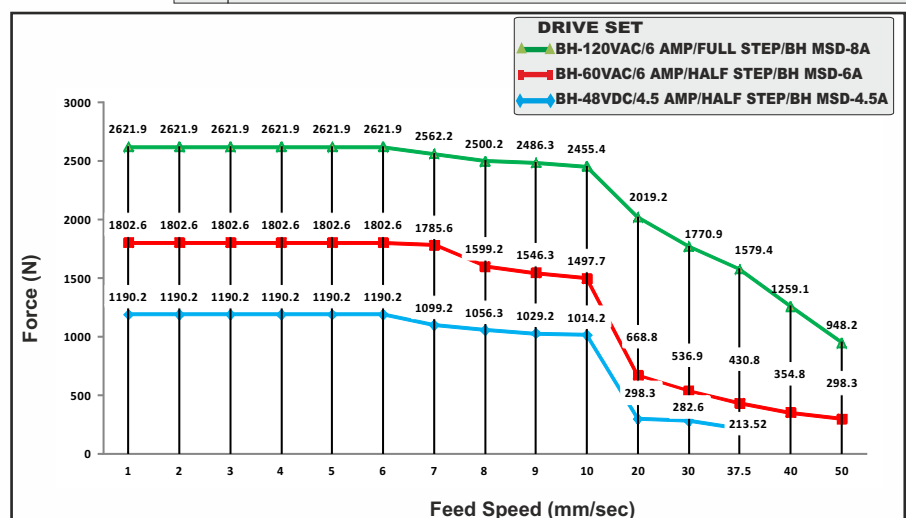
TECHNICAL DATA



SPECIFICATION BH 86SH 118 - 6004 LA-NC(M10X2)			
	MODEL		Bipolar
1	Rated Voltage	V	2.52
2	Current / Phase	A	6
3	Resistance / Phase	± 10% Ω	0.42
4	Inductance / Phase	± 20% mH	4.25
5	Holding Torque	Nm	8.70
6	Rotor Inertia	G-CM ²	2700
7	Weight	KG.	4
8	No of Lead	N ⁰	4
9	Operating Voltage	VDC	48 - 170
10	Operating Voltage	VAC	34 - 120
11	Linear Step size - 10 micron per full step		

CHARACTERISTICS

Step Angle - 1.8°
Step Angle Accuracy - ± 3 arc Minute
Insulation Class - H
Ambient Temperature - - 20°C + 50 °C
Temperature Rise - 80°C Max. (Rated Current Phase 2 ON)
Insulation Resistance 100 M Ohms Min.500 VDC
Dielectric Strength 820 VAC For One Minute
Shaft Radial Play 0.02 Max. Play (450 G Load)
Shaft Axial Play 0.08 Max. Play (450 G Load)
Max.Radial Force 220 N (20MM From Front Flange)



STEPPER MOTOR - BH86SH118- 6004 LA-NC(M10X2)



Bholanath Precision Engineering Pvt.Ltd.

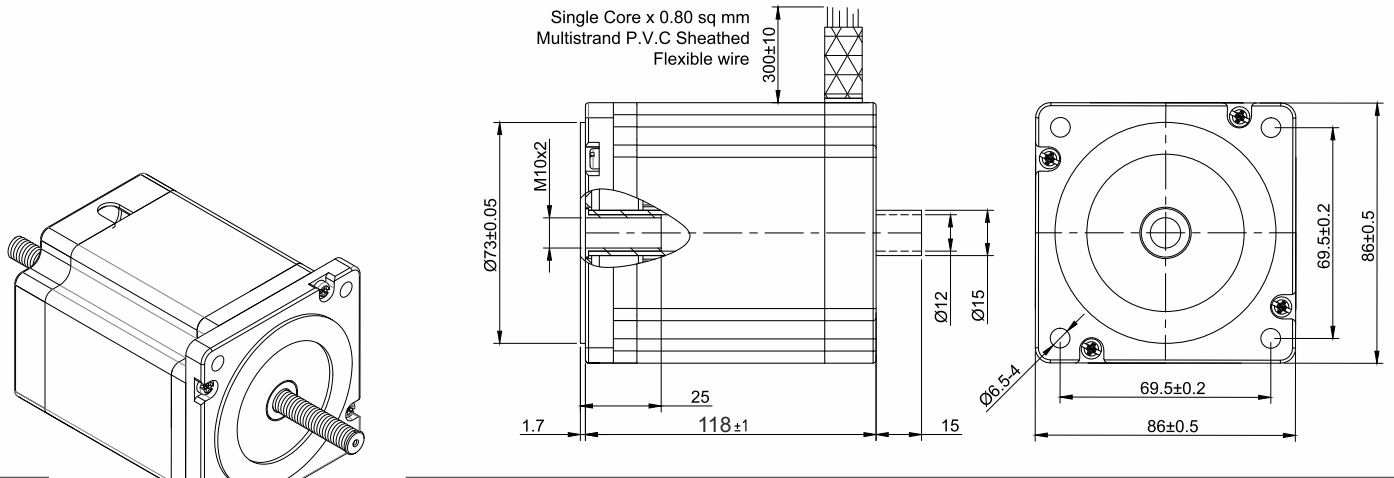
11,Kembros Ind.Estate , Sonapur Lane , Bhandup (W),Mumbai - 400078.

Telefax/Phone : 25662856/25664338/67993260 Email : support@bholanath.in

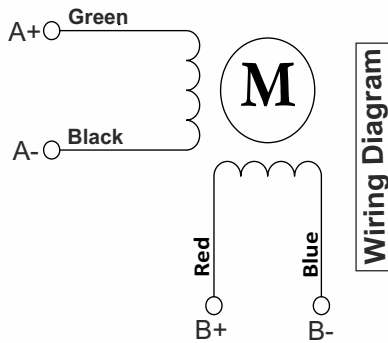
Mobile No : 9920903825/9821671733/9930514603/9819515543/9323166582.

SPECIFICATION SHEET
Bholanath

STEPPER MOTOR
BH86 SH 118 - 6004LA-NC(M14X2)
HIGH TORQUE HYBRID



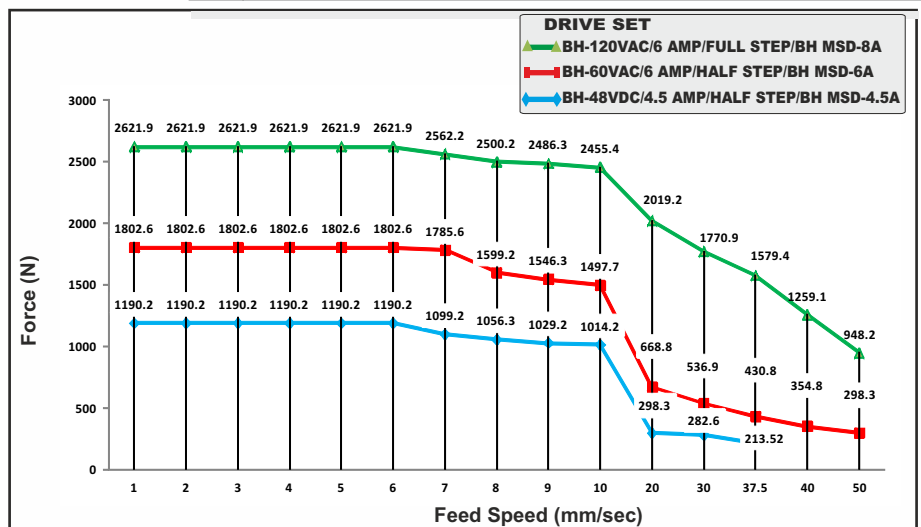
TECHNICAL DATA



SPECIFICATION BH 86SH 118 - 6004 LA-NC(M14X2)		
	MODEL	Bipolar
1	Rated Voltage	V
2	Current / Phase	A
3	Resistance / Phase	± 10% Ω
4	Inductance / Phase	± 20% mH
5	Holding Torque	Nm
6	Rotor Inertia	G-CM ²
7	Weight	KG.
8	No of Lead	N ⁰
9	Operating Voltage	VdC
9	Operating Voltage	VaC
10	Linear Step size - 10 micron per full step	

CHARACTERISTICS

Step Angle - 1.8°
Step Angle Accuracy - ± 3 Arc Minute
Insulation Class - H
Ambient Temperature - - 20°C + 50°C
Temperature Rise - 80°C Max. (Rated Current Phase 2 ON)
Insulation Resistance 100 M Ohms Min.500 VDC
Dielectric Strength 820 VAC For One Minute
Shaft Radial Play 0.02 Max. Play (450 G Load)
Shaft Axial Play 0.08 Max. Play (450 G Load)
Max.Radial Force 220 N (20MM From Front Flange)



STEPPER MOTOR - BH86SH118- 6004 LA-NC(M14X2)



Bholanath Precision Engineering Pvt.Ltd.

11,Kembros Ind.Estate , Sonapur Lane , Bhandup (W),Mumbai - 400078.
Telefax/Phone : 25662856/25664338/67993260 Email : support@bholanath.in
Mobile No : 9920903825/9821671733/9930514603/9819515543/9323166582.

**SPECIFICATION
SHEET**
Bholanath

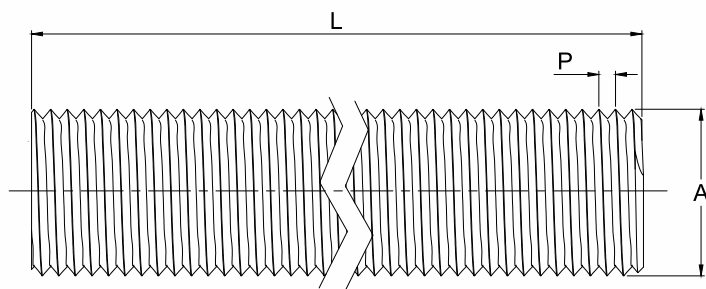
LEAD SCREW



COMMITTED TO PRECISION
www.bholanath.in

LEAD SCREW THREADS - METRIC, TRAPEZOIDAL, SQUARE THREADS

BHOLANATH Lead Screws (**BH-LS**) are an excellent economical solution for linear motion requirements. Our precise rolling machines ensure accurate positioning to 0.07mm/300mm and our Teflon (**PTFE**) coatings ensure reduced drag torque and last longer. Accurate movement from 0.5mm to 8 mm is available to suit fine adjustments to high feed linear motion. **BH-LS** are made of stainless steel 303 and Alloy steel material. The **BH-LS** can be used in any kind of linear motion, 3d printers, machine slides, automation assemblies etc.



Model No.	THREAD SIZE (A)	PITCH (P)	LEAD	THREAD FORM	MATERIAL	LENGTH (L)
		mm	mm			mm
BH - LS-M5.5X0.5	M5.5X0.5	0.5	0.5	Metric	SS 303	50 to1500
BH - LS-TR6X2	TR6X2	1.0	2.0	Trapezoidal	SS 303	50 to1500
BH - LS-M8X1.25	M8X1.25	1.25	1.25	Metric	SS 303	50 to1500
BH - LS-M8X2.0	M8X2.0	2.0	2.0	Metric	SS 303	50 to1500
BH -LS-TR8X8	TR8X8	2.0	8.0	Trapezoidal	SS 303	50 to1500
BH -LS-M10X1.50	M10X1.50	1.50	1.50	Metric	SS 303	50 to1500
BH -LS-M10X2.0	M10X2.0	2.0	2.0	Metric	SS 303	50 to1500
BH -LS-M10X3.0	M10X3.0	1.50	3.0	Metric	SS 303	50 to120
BH -LS-M12X1.5	M12X1.5	1.50	1.50	Metric	SS 303	50 to1500
BH -LS-M12X2.0	M12X2.0	2.0	2.0	Metric	SS 303	50 to1500
BH -LS-M14X2.0	M14X2.0	2.0	2.0	Metric	Alloy Steel	50 to1500
BH -LS-M16X2.0	M16X2.0	2.0	2.0	Metric	Alloy Steel	50 to1500
BH -LS-M18X4.0	M18X4.0	4.0	4.0	Square	Alloy Steel	50 to1500
BH -LS-M20X4.0	M20X4.0	4.0	4.0	Square	Alloy Steel	50 to1500



Bholanath Precision Engineering Pvt.Ltd.

11,Kembros Ind.Estate , Sonapur Lane , Bhandup (W),Mumbai - 400078.

Telefax/Phone : 25662856/25664338/67993260 Email : support@bholanath.in

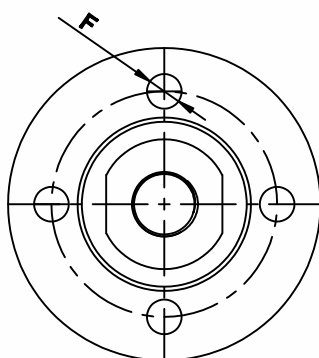
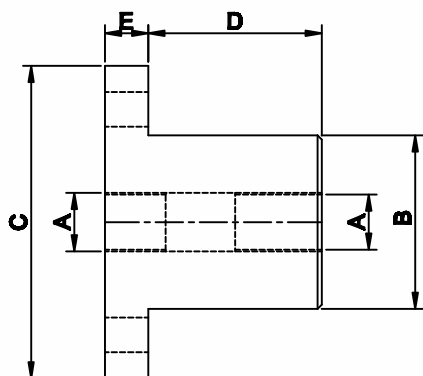
Mobile No : 9920903825/9821671733/9930514603/9819515543/9323166582.

**SPECIFICATION
SHEET**
Bholanath

**ANTI BACKLASH
BRASS NUT**

BholanathTM
COMMITTED TO PRECISION
www.bholanath.in

BHOLANATH Anti Backlash Nuts (BH-ABN) eliminates the play when direction is reversed in Nut and Screw assembly. **BH-ABN** is made of brass and has a built in loaded spring assembly. It is self-adjusting, low noise, long life and of Robust design. The **BH-ABN** can be used in any kind of linear motion, 3d printers, CNC slides, robotic applications etc.



**ANTI BACKLASH
BRASS NUT**

Model No.	Bore Thread Size (A)	B	C	D	E	F
	mm	mm	mm	mm	mm	mm
BH -ABN-M5.5X0.5	M5.5X0.5	Ø20	Ø36	20	5	Ø4.0-2nos.-PCD-Ø26
BH -ABN-TR6X2	TR6X2	Ø20	Ø36	20	5	Ø4.0-2nos.-PCD-Ø26
BH -ABN-M8X1.25	M8X1.25	Ø20	Ø36	20	5	Ø4.0-2nos.-PCD-Ø26
BH -ABN-M8X2	M8X2	Ø20	Ø36	20	5	Ø4.0-2nos.-PCD-Ø26
BH -ABN-TR8X8	TR8X8	Ø20	Ø36	20	5	Ø4.0-2nos.-PCD-Ø26
BH -ABN-M10X1.50	M10X1.50	Ø20	Ø36	20	5	Ø4.0-2nos.-PCD-Ø26
BH -ABN-M10X2	M10X2	Ø20	Ø36	20	5	Ø4.0-2nos.-PCD-Ø26
BH -ABN-M10X3	M10X3	Ø20	Ø36	20	5	Ø4.0-2nos.-PCD-Ø26
BH -ABN-M12X1.5	M12X1.5	Ø25	Ø41	25	5	Ø4.2-4nos.-PCD-Ø30
BH -ABN-M12X2.0	M12X2	Ø25	Ø41	25	5	Ø4.2-4nos.-PCD-Ø30
BH -ABN-M14X2.0	M14X2	Ø25	Ø41	25	5	Ø4.2-4nos.-PCD-Ø30
BH -ABN-M16X2.0	M16X2	Ø25	Ø41	25	5	Ø4.2-4nos.-PCD-Ø30
BH -ABN-M18X4.0	M18X4	Ø32	Ø55	33	7	Ø6.5-4nos.-PCD-Ø42.3
BH -ABN-M20X4.0	M20X4	Ø32	Ø55	33	7	Ø6.5-4nos.-PCD-Ø42.3

BholanathTM
COMMITTED TO PRECISION
BHOLANATH COOL STEPPERSTM

Bholanath Precision Engineering Pvt.Ltd.

11, Kembros Ind. Estate, Sonapur Lane, Bhandup (W), Mumbai - 400078.

Telefax/Phone : 25662856/25664338/67993260 Email : support@bholanath.in

Mobile No : 9920903825/9821671733/9930514603/9819515543/9323166582.

BholanathTM

COMMITTED TO PRECISION

TRANSFORMERS

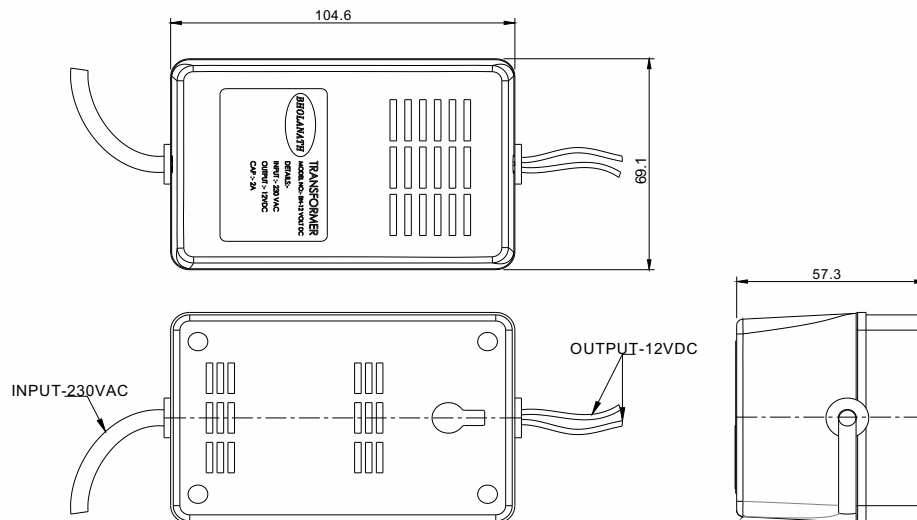
(POWER SUPPLY)



**SPECIFICATION
SHEET**
Bholanath

POWER SUPPLY
BH-12 Volts DC

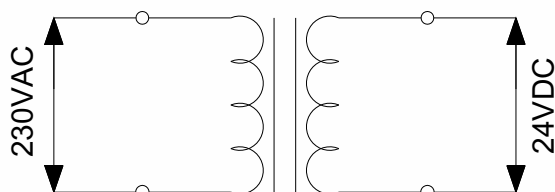
Bholanath™
COMMITTED TO PRECISION



All Dimensions are in mm.

► **Wiring Diagram**

INPUT OUTPUT



► **Transformer Details :-**

► **INPUT : 230 VAC**

► **OUTPUT : 12 VDC**

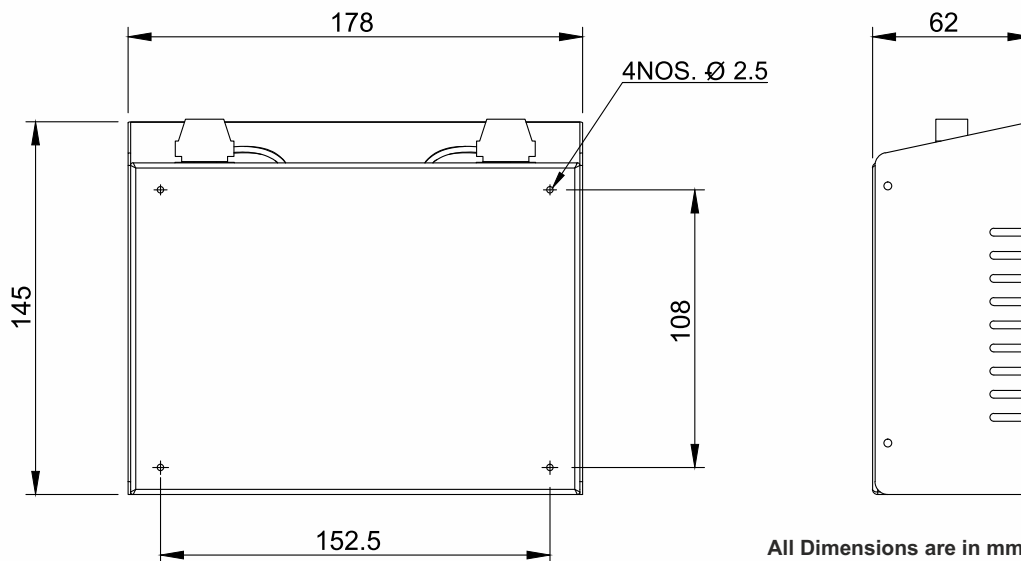
► **CAP : 2 AMP**

► **WEIGHT : 0.84 Kg**



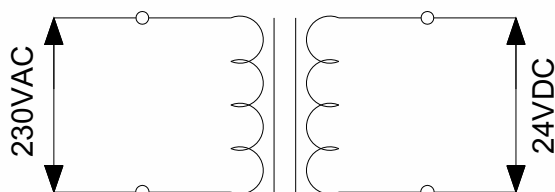
**SPECIFICATION
SHEET**
Bholanath

POWER SUPPLY
BH-24 Volts DC



► **Wiring Diagram**

INPUT OUTPUT



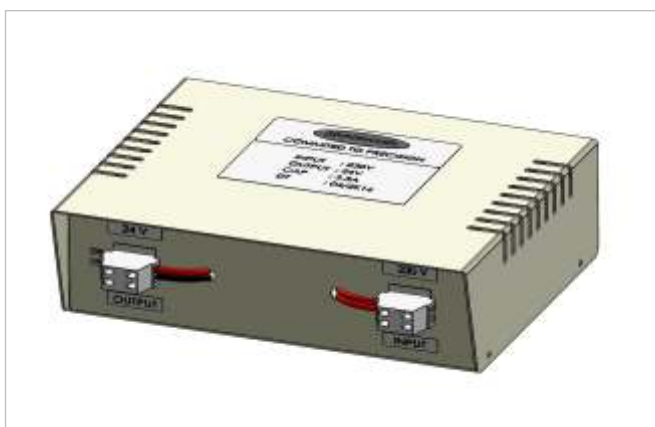
► **Transformer Details :-**

► **INPUT : 230 VAC**

► **OUTPUT : 24 VDC**

► **CAP : 3.5 AMP**

► **WEIGHT : 2.1 Kg**



Bholanath Precision Engineering Pvt.Ltd.

11, Kembros Ind.Estate , Sonapur Lane , Bhandup (W), Mumbai - 400078.

Telefax/Phone : 25662856/25664338/67993260 Email : support@bholanath.in

Mobile No : 9920903825/9821671733/9930514603/9819515543/9323166582.

SPECIFICATION SHEET
Bholanath

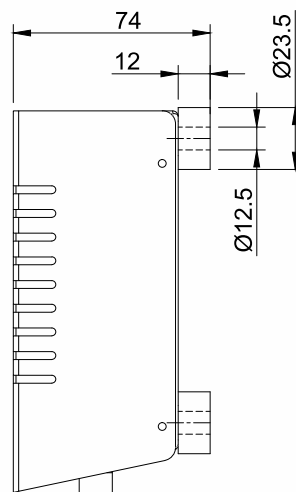
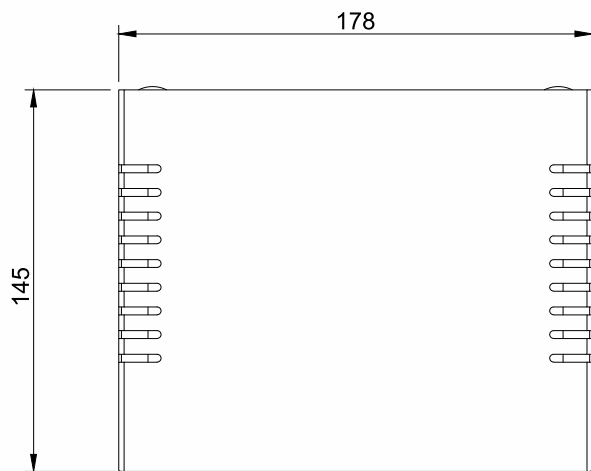
POWER SUPPLY
BH-48 Volts DC

Bholanath™

COMMITTED TO PRECISION

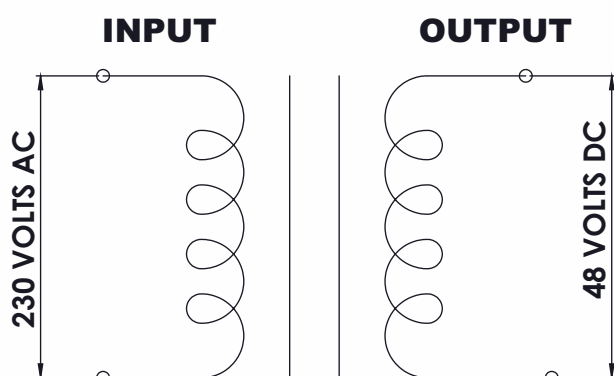
www.bholanath.in

DRAWING UPDATED-1.0



All Dimensions are in mm.

► **Wiring Diagram**



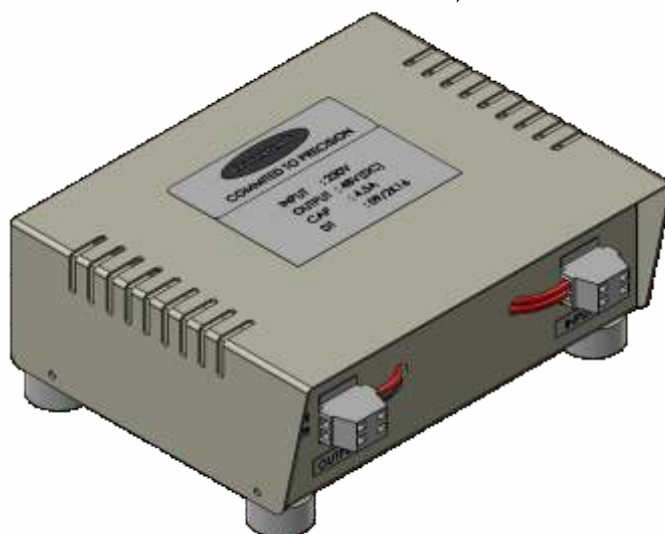
► **Transformer Details :-**

► **INPUT : 230 VAC**

► **OUTPUT : 48 VDC**

► **CAP : 4.5 AMP**

► **WEIGHT : 2.900 Kg**



Revision-01, Dated:- 20/10/2016

Bholanath™

COMMITTED TO PRECISION

BHOLANATH COOL STEPPERS™

Bholanath Precision Engineering Pvt.Ltd.

11, Kembros Ind. Estate, Sonapur Lane, Bhandup (W), Mumbai - 400078.

Telefax/Phone : 25662856/25664338/67993260 Email : support@bholanath.in

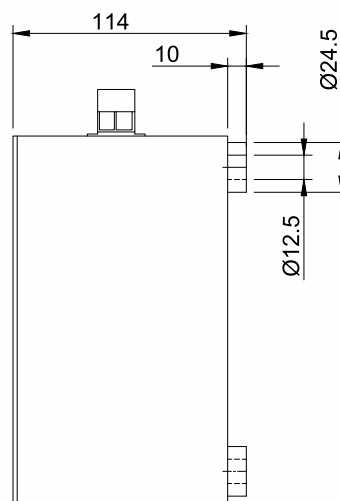
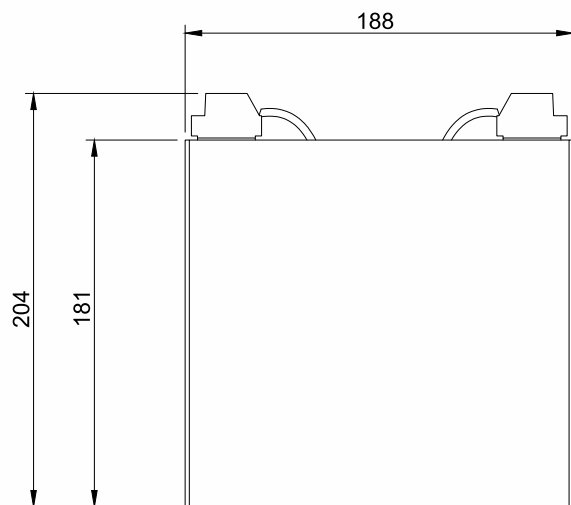
Mobile No : 9920903825/9821671733/9930514603/9819515543/9323166582.

SPECIFICATION SHEET
Bholanath

POWER SUPPLY
BH-60 Volts AC

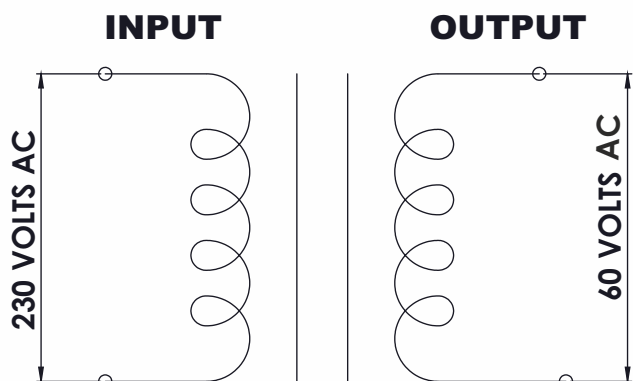
BholanathTM

COMMITTED TO PRECISION
www.bholanath.in



All Dimensions are in mm.

► **Wiring Diagram**



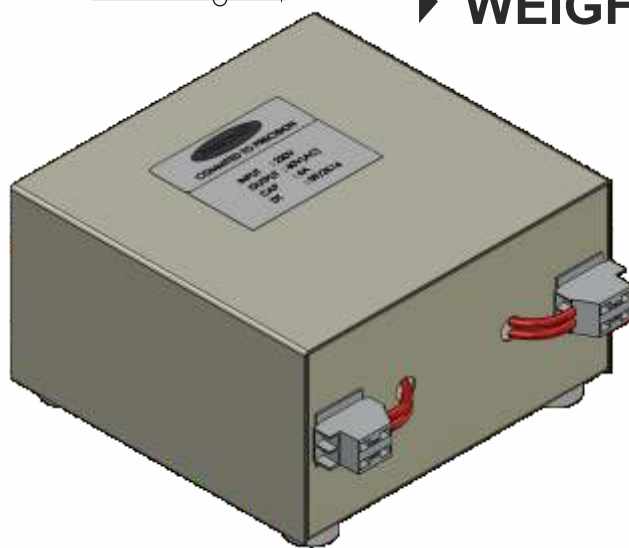
► **Transformer Details :-**

► **INPUT : 230 VAC**

► **OUTPUT : 60 VAC**

► **CAP : 6 AMP**

► **WEIGHT : 4.650 Kg**



Revision-02, Dated:- 11/05/2017

BholanathTM
COMMITTED TO PRECISION
BHOLANATH COOL STEPPERSTM

Bholanath Precision Engineering Pvt.Ltd.

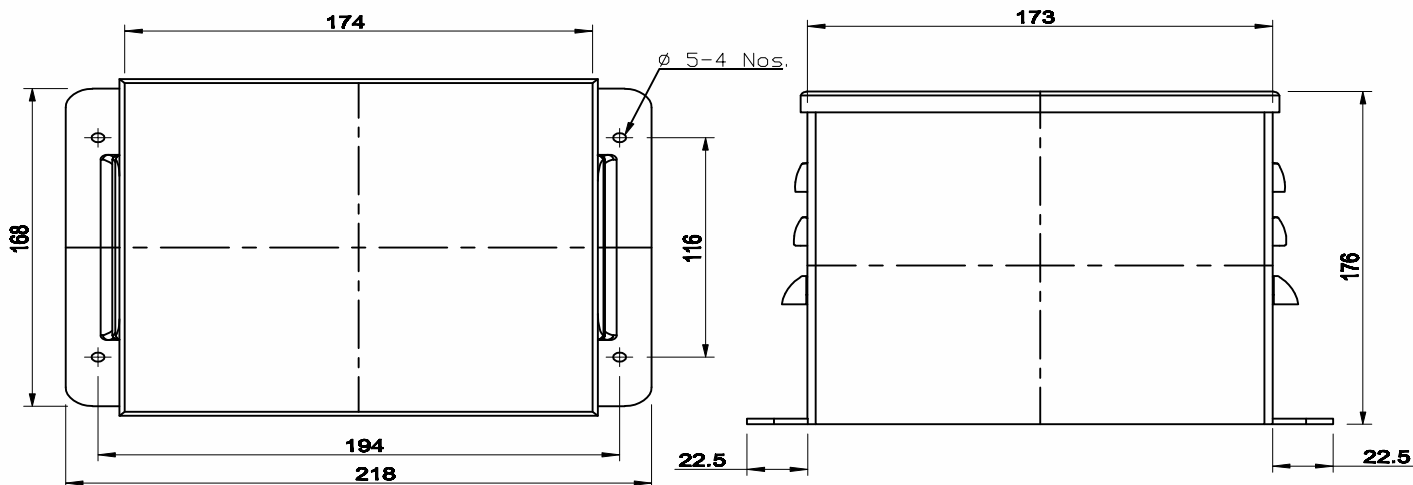
11, Kembros Ind. Estate, Sonapur Lane, Bhandup (W), Mumbai - 400078.

Telefax/Phone : 25662856/25664338/67993260 Email : support@bholanath.in

Mobile No : 9920903825/9821671733/9930514603/9819515543/9323166582.

**SPECIFICATION
SHEET**
Bholanath

POWER SUPPLY
BH-120 Volts AC

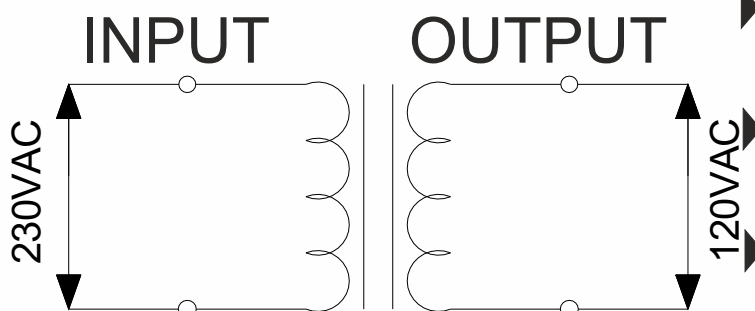


TOP VIEW

SIDE VIEW

All Dimensions are in mm.

► **Wiring Diagram**



► **Transformer Details :-**

► **INPUT : 230 VAC**

► **OUTPUT : 120 VAC**

► **CAP : 8 AMP**

► **WEIGHT : 13.25 Kg**



Bholanath Precision Engineering Pvt.Ltd.

11, Kembros Ind.Estate , Sonapur Lane , Bhandup (W), Mumbai - 400078.

Telefax/Phone : 25662856/25664338/67993260 Email : support@bholanath.in

Mobile No : 9920903825/9821671733/9930514603/9819515543/9323166582.

1.8⁰ High Performance Stepper Drives

Stepper Drives



BH-MSD-2A
CURRENT-0.25-2A
Microstep Driver



BH-MSD-4.5A
Microstep Driver

**Bholanath
Stepper Drives**



BH-MSD-6A
Microstep Driver



BH-MSD-8A
Microstep Driver

Bipolar Models

Drive Model	Type	Resolution	Power Supply	Max. Cur/ phase	Specifications
BH - MSD - 2A	High Performance 2A Microstepping Bipolar Drive	1 - 1/128	Supply Voltage 12 VDC to 36 VDC	Output current 0.25 A - 2 A	Microstepping : 1, 1/2, 1/4, 1/8, 1/16, 1/32, 1/64 1/128. Dimensions : 96mm x 60mm x 24.5mm. Weight : < 180 g.
BH - MSD - 4.5A	High Performance 4.5 Amp Microstepping Bipolar Drive	1/2 - 1/256	Supply Voltage 24 V to 50 VDC	Output current 1.5 A - 4.5 A	Microstepping : 1/2, 1/4, 1/8, 1/16, 1/32, 1/64, 1/128, 1/256, 1/5, 1/10, 1/25, 1/50, 1/125, 1/250 Dimensions : 118mm x 76mm x 33mm. Weight : < 300 g.
BH - MSD - 4.5A-4L					
BH - MSD - 6A	High Performance 6 Amp Microstepping Bipolar Drive	1/2 - 1/256	Supply Voltage 20 VAC to 60 VAC or from 24 VDC to 80 VDC	Output current 2 A - 6 A	Microstepping : 1/2, 1/4, 1/8, 1/16, 1/32, 1/64, 1/128, 1/256, 1/5, 1/10, 1/25, 1/40, 1/50, 1/100, 1/200, 1/250 Dimensions : 150mm x 99mm x 48mm. Weight : < 700 g.
BH - MSD - 6A-4L					
BH - MSD - 8A	High Performance 8 Amp Microstepping Bipolar Drive	1 - 1/256	Supply Voltage 110 VAC to 220 VAC	Output current 0.5 A - 8 A	Microstepping : 1, 1/2, 1/4, 1/8, 1/16, 1/32, 1/64, 1/128, 1/256, 1/5, 1/10, 1/20, 1/25, 1/40, 1/50, 1/100, 1/200, 1/256 Dimensions : 195mm x 107mm x 81mm. Weight : < 1500 g.


 Product code No
1090

 Product code No
1091

Bholanath Stepper Drive Controller is a state of art Product with the power of Cortex-ARM Controller and the latest technologies like Touch sense Rotary Switch. BH-SDC-01 is a single Motor controller And BH-SDC-2 is a two Motor controller.

Ideal for Controlling Stepper Motor Through Driver for Linear Motion, Rotary Motion, speed (RPM) direction and Duration of operation, Labeling and Cut to length operations. The product gives the user the power to control the stepper drive and in turn the stepper motor with accuracy

Technical Specifications

- Universal Power Supply – 85 to 265 V ACDC with 2KV Isolation between Supply and other I/Os.
- Touch Key pad- water proof and long life as there is no wear and tear.
- 16 x 2 Alphanumeric Colour LCD Display for Programmer Interface.
- Various Operating Modes – Manual, Automatic, Jog and Homing.
- In Auto Mode up to 50 programmable Cycles in sequence of operation.
- Every cycle has unique Start; Stop triggers (i.e. any Switch or Delay).
- Sequence of Cycles can be terminated or kept in infinite loop. (helpful for many operations like conveyor or winding machines)
- Manual Mode for checking the parameters at the time of programming or Manual Control.
- JOG Mode gives a simple control through Rotary switch. Motor shaft rotates with the finger touch over Rotary switch.
- Movement controlled by Time or input Switches or both as per programmed setup.
- Up to 8 inputs from external switches for position feedback control or Limit Switch.
- No need for external supply for switches.
- Pulse, Direction and Enable outputs as separate Supply (+) and Open collector (-) terminations.
- Programmable Acceleration and Deceleration Control for every movement.
- Inputs and Units Programmable i.e. RPM, Steps/sec, Angle and Steps.

List of Programmable Parameters

Sr. No	Parameter	Options for Programming
1	Rotary Movement	Steps, kSteps (i.e. 1000 steps), Angle
2	Linear Movement	Length (mm), Pitch of Screw, Total Length of actuator.
3	Speed	RPM, Steps/sec, kSteps/sec
4	Time	Second, Minute
5	Acceleration	Settable (to achieve peak speed)
6	Cycle	Start, Stop, Delay, Trigger of action

Please refer website www.bholanath.in for complete technical details.



TM

COMMITTED TO PRECISION

RIGID COUPLINGS



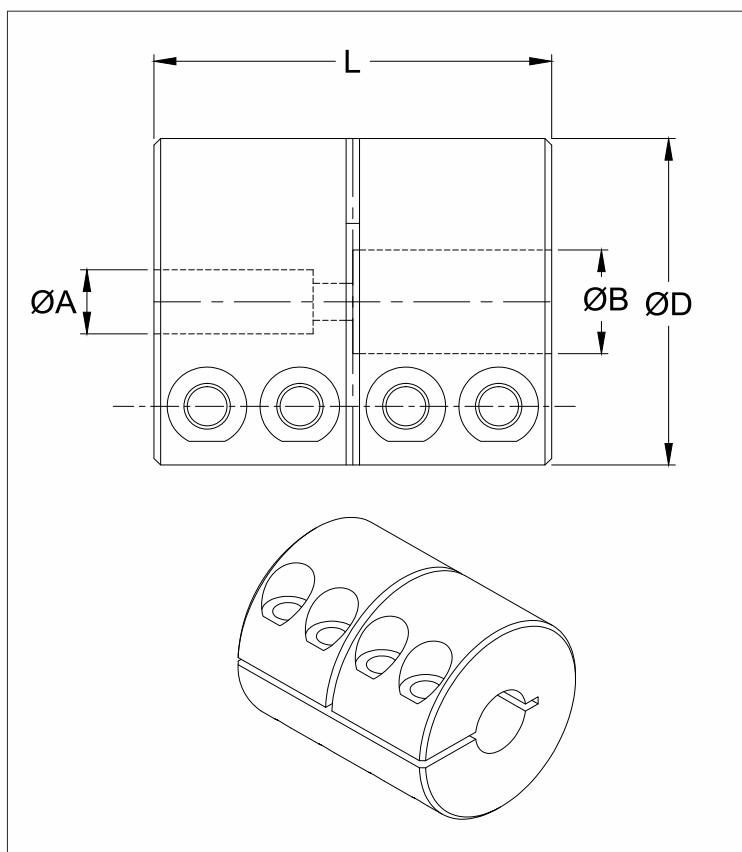
**SPECIFICATION
SHEET
Bholanath**

**NEMA 17(42MM)
RIGID COUPLING
BH42-RC -5X5
BH42-RC -5X6.35
BH42-RC -5X8**



BHOLANATH Rigid Coupling BH42-RC, Suitable For All NEMA 17(42 mm) Frame Size Stepper Motors Offers High Transmittable Torque Special Grade Aluminium Which Can Absorb Angular And Axial Misalignment Compact Dimension Backlash And Maintenance Free.

Suitable For All Motion Control Application.



Sr No	Rigid Coupling Model No	Bore size (mm)A- Motor End	Bore size (mm) B	Diameter (mm) D	Length (mm) L	Weight (Gms)
1	BH42-RC -5X5	Ø5	Ø5	Ø25	30	38
2	BH42-RC -5X6.35	Ø5	Ø6.35	Ø25	30	35
3	BH42-RC -5X8	Ø5	Ø8	Ø25	30	30



Bholanath Precision Engineering Pvt.Ltd.

11, Kembros Ind. Estate, Sonapur Lane, Bhandup (W), Mumbai - 400078.
Telefax/Phone : 25662856/25664338/67993260 Email : support@bholanath.in
Mobile No : 9920903825/9821671733/9930514603/9819515543/9323166582.

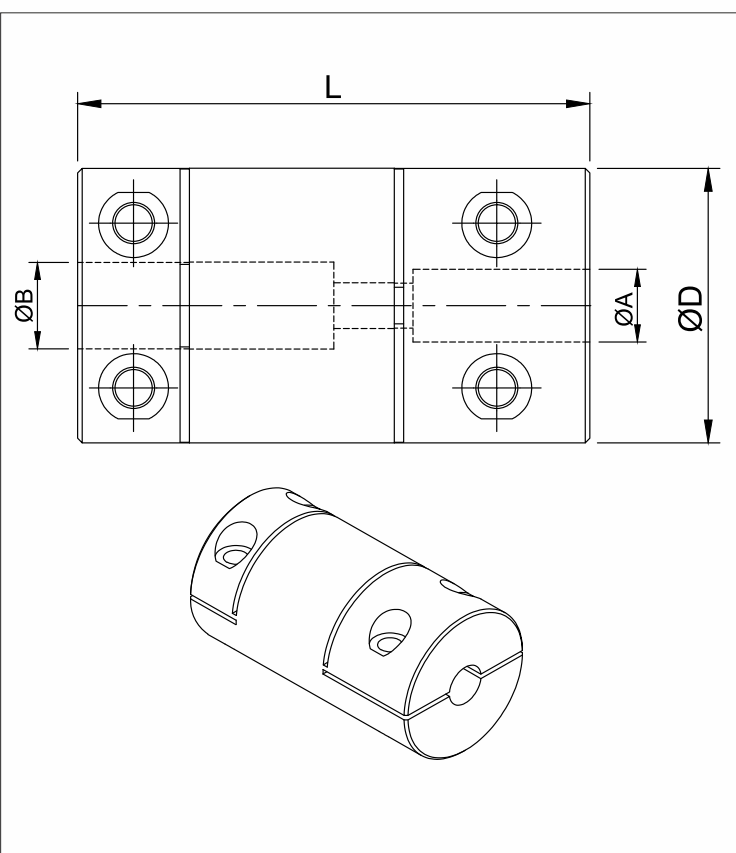
**SPECIFICATION
SHEET
Bholanath**

**NEMA 23(57MM)
RIGID COUPLING
BH57-RC-6.35X8, BH57-RC-8X8
BH57-RC-8X9.5, BH57-RC-10X10**



BHOLANATH Rigid Coupling BH57-RC, Suitable For All NEMA 23(57 mm) Frame Size Stepper Motors Offers High Transmittable Torque Special Grade Aluminium Which Can Absorb Angular And Axial Misalignment Compact Dimension Backlash And Maintenance Free.

Suitable For All Motion Control Application.



Sr No	Rigid Coupling Model No	Bore size (mm)A- Motor End	Bore size (mm) B	Diameter (mm) D	Length (mm) L	Weight (gm)
1	BH57-RC -6.35X8	Ø6.35	Ø8	Ø30	55	112
2	BH57-RC -8X8	Ø8	Ø8	Ø30	55	100
3	BH57-RC -8X9.5	Ø8	Ø9.5	Ø30	55	87
4	BH57-RC -10X10	Ø10	Ø10	Ø30	55	80



Bholanath Precision Engineering Pvt.Ltd.

11,Kembros Ind.Estate , Sonapur Lane , Bhandup (W),Mumbai - 400078.

Telefax/Phone : 25662856/25664338/67993260 Email : support@bholanath.in

Mobile No : 9920903825/9821671733/9930514603/9819515543/9323166582.

**SPECIFICATION
SHEET
Bholanath**

**NEMA 24(60MM)
RIGID COUPLING
BH60-RC-8X8
BH60-RC-8X9.5**

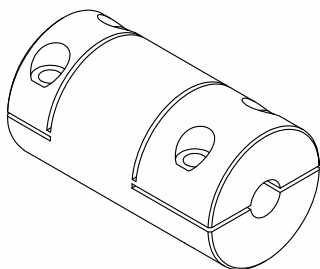
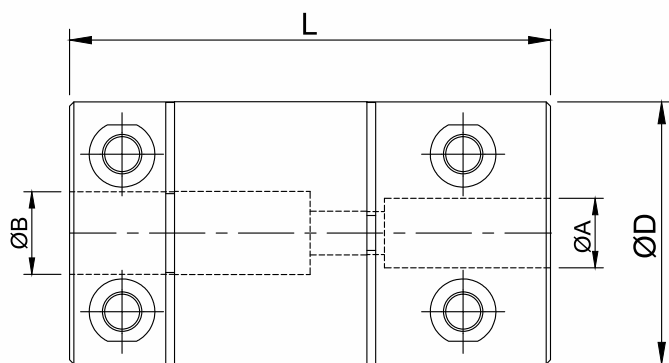


COMMITTED TO PRECISION

www.bholanath.in

BHOLANATH Rigid Coupling BH60-RC, Suitable For All NEMA 24(60 mm) Frame Size Stepper Motors Offers High Transmittable Torque Special Grade Aluminium Which Can Absorb Angular And Axial Misalignment Compact Dimension Backlash And Maintenance Free.

Suitable For All Motion Control Application.



Sr No	Rigid Coupling Model No	Bore size (mm)A- Motor End	Bore size (mm) B	Diameter (mm) D	Length (mm) L	Weight (gm)
1	BH60-RC -8X8	Ø8	8	Ø30	55	100
2	BH60-RC -8X9.5	Ø8	9.5	Ø30	55	87



COMMITTED TO PRECISION

BHOLANATH COOL STEPPERS™

Bholanath Precision Engineering Pvt.Ltd.

11,Kembros Ind.Estate , Sonapur Lane , Bhandup (W),Mumbai - 400078.

Telefax/Phone : 25662856/25664338/67993260 Email : support@bholanath.in

Mobile No : 9920903825/9821671733/9930514603/9819515543/9323166582.

SPECIFICATION SHEET
Bholanath

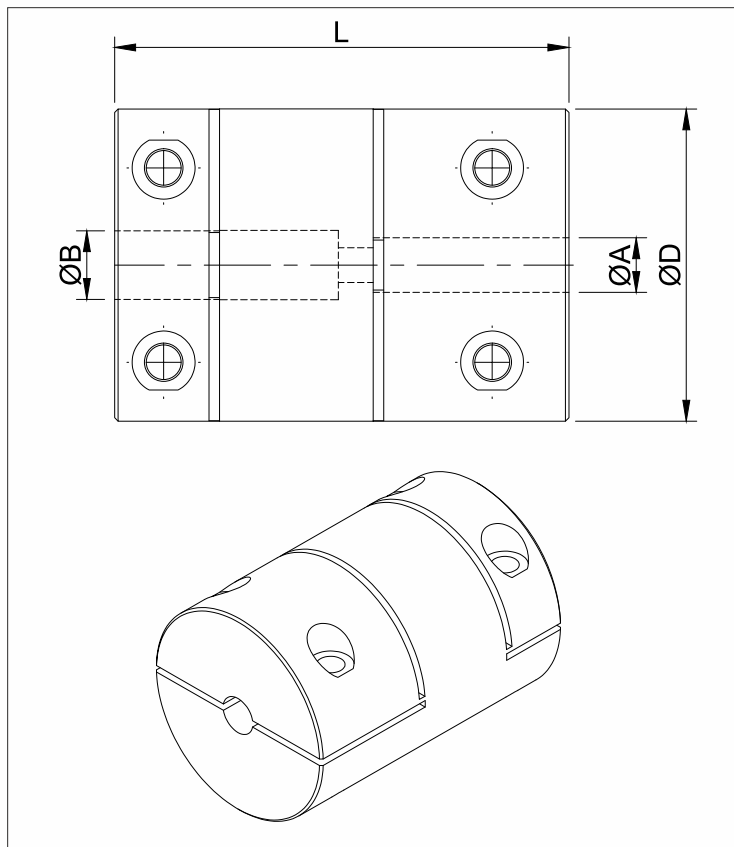
NEMA 34(86MM)
RIGID COUPLING

BH86-RC-12X8, BH86-RC-12X12
BH86-RC-12.7X12.7, BH86-RC-12.7X14
BH86-RC-14X14



BHOLANATH Rigid Coupling BH86-RC, Suitable For All NEMA 34(86 mm) Frame Size Stepper Motors Offers High Transmittable Torque Special Grade Aluminium Which Can Absorb Angular And Axial Misalignment Compact Dimension Backlash And Maintenance Free.

Suitable For All Motion Control Application.



Sr No	Rigid Coupling Model No	Bore size (mm) A- Motor End	Bore size (mm) B	Diameter (mm) D	Length (mm) L	Weight (gm)
1	BH86RC-12X8	Ø12	Ø8	Ø45	65	250
2	BH86-RC-12X12	Ø12	Ø12	Ø45	65	245
3	BH86-RC-12.7X12.7	Ø12.7	Ø12.7	Ø45	65	240
4	BH86-RC-12.7X14	Ø12.7	Ø14	Ø45	65	235
5	BH86-RC-14X14	Ø14	Ø14	Ø45	65	230



Bholanath Precision Engineering Pvt.Ltd.

11, Kembros Ind. Estate, Sonapur Lane, Bhandup (W), Mumbai - 400078.

Telefax/Phone : 25662856/25664338/67993260 Email : support@bholanath.in

Mobile No : 9920903825/9821671733/9930514603/9819515543/9323166582.

**SPECIFICATION
SHEET
Bholanath**

**NEMA 42(110MM)
RIGID COUPLING
BH110-RC-19X19**

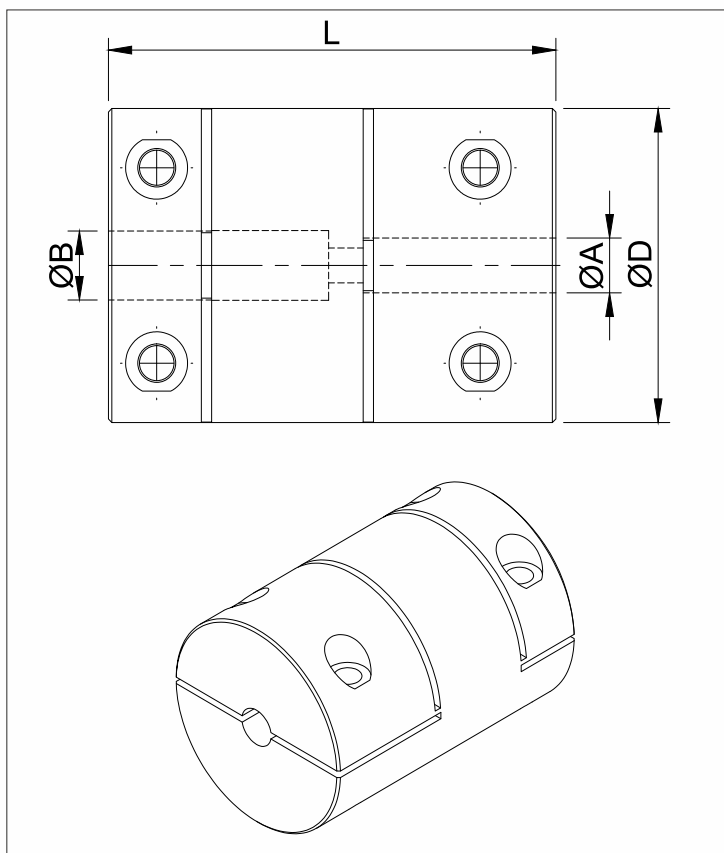


COMMITTED TO PRECISION

www.bholanath.in

BHOLANATH Rigid Coupling BH110-RC, Suitable For All NEMA 42(110 mm) Frame Size Stepper Motors Offers High Transmittable Torque Special Grade Aluminium Which Can Absorb Angular And Axial Misalignment Compact Dimension Backlash And Maintenance Free.

Suitable For All Motion Control Application.



Sr No	Rigid Coupling Model No	Bore size (mm)A- Motor End	Bore size (mm) B	Diameter (mm) D	Length (mm) L	Weight (gm)
1	BH110-RC -19X19	19	19	Ø45	65	230



COMMITTED TO PRECISION

BHOLANATH COOL STEPPERS™

Bholanath Precision Engineering Pvt.Ltd.

11, Kembros Ind.Estate , Sonapur Lane , Bhandup (W), Mumbai - 400078.

Telefax/Phone : 25662856/25664338/67993260 Email : support@bholanath.in

Mobile No : 9920903825/9821671733/9930514603/9819515543/9323166582.



COMMITTED TO PRECISION

MOUNTING BRACKET



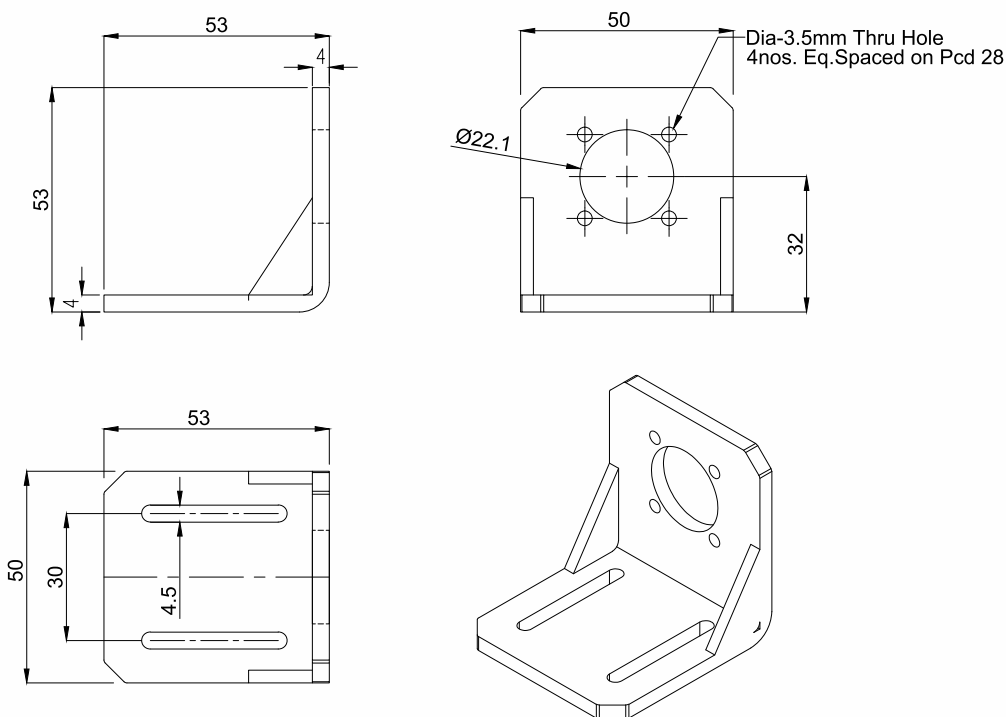
**SPECIFICATION
SHEET
Bholanath**

**NEMA 17(42MM)
Model No:- BH42-MB
MOUNTING BRACKET**

BholanathTM
COMMITTED TO PRECISION

BHOLANATH Mounting Bracket, BH42-MB is suitable For All Nema 17(42 MM) Frame Size Stepper Motors. Constructed Of High Tensile Alloy Steel, Single Piece Construction, With Adjustable Slots for easier fitting.

Weight:- 0.15KG



BholanathTM
COMMITTED TO PRECISION
Bholanath COOL STEPPERSTM

Bholanath Precision Engineering Pvt.Ltd.

11,Kembros Ind.Estate , Sonapur Lane , Bhandup (W),Mumbai - 400078.

Telefax/Phone : 25662856/25664338/67993260 Email : support@bholanath.in

Mobile No : 9920903825/9821671733/9930514603/9819515543/9323166582.

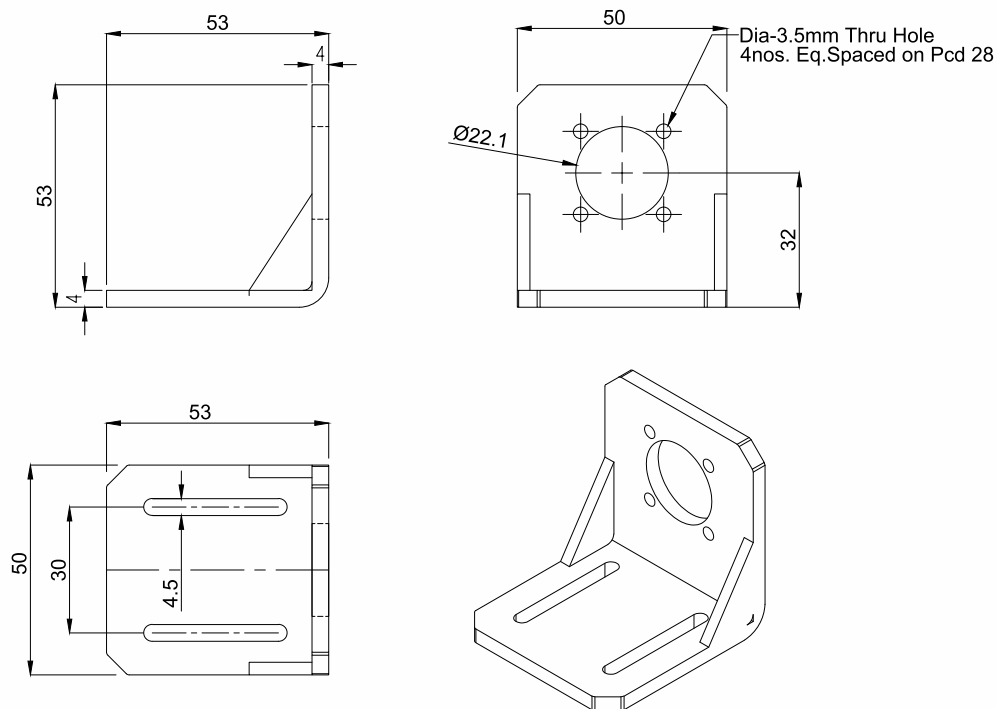
**SPECIFICATION
SHEET
Bholanath**

**NEMA 17(42MM)
Model No:- BH42-MB-PL
MOUNTING BRACKET**

BholanathTM
COMMITTED TO PRECISION

BHOLANATH Mounting Bracket, BH42-MB-PL Suitable For All Nema 17(42MM) Frame Size Planetary Geared Stepper Motors. Constructed Of High Tensile Alloy Steel, Single Piece Construction, With Adjustable Slots For Easier Fitting.

Weight:- 0.15KG



BholanathTM
COMMITTED TO PRECISION
BHOLANATH COOL STEPPERSTM

Bholanath Precision Engineering Pvt.Ltd.

11, Kembros Ind.Estate , Sonapur Lane , Bhandup (W), Mumbai - 400078.

Telefax/Phone : 25662856/25664338/67993260 Email : support@bholanath.in

Mobile No : 9920903825/9821671733/9930514603/9819515543/9323166582.

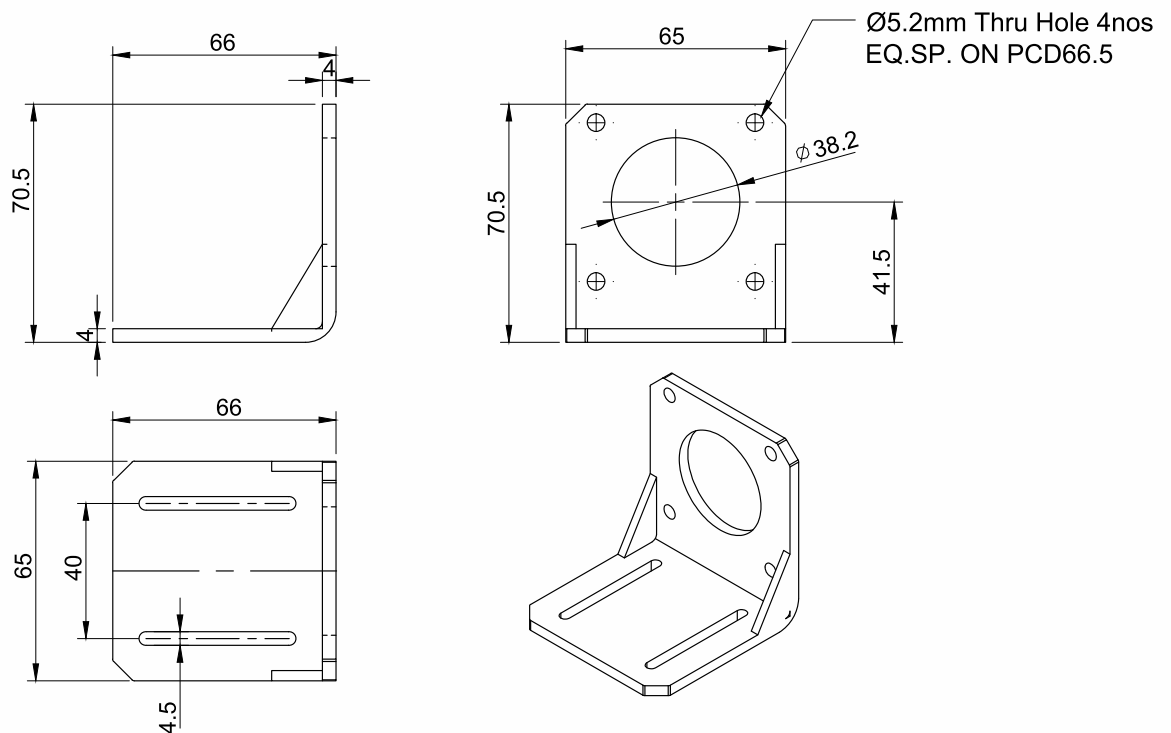
**SPECIFICATION
SHEET
Bholanath**

**NEMA 23(57MM)
Model No:- BH57-MB
MOUNTING BRACKET**

BholanathTM
COMMITTED TO PRECISION

BHOLANATH Mounting Bracket, BH57-MB is suitable For All Nema 23(57MM) Frame Size Stepper Motors. Constructed Of High Tensile Alloy Steel, Single Piece Construction, With Adjustable Slots for easier fitting.

Weight:- 0.2KG



BholanathTM
COMMITTED TO PRECISION
BHOLANATH COOL STEPPERSTM

Bholanath Precision Engineering Pvt.Ltd.

11, Kembros Ind. Estate, Sonapur Lane, Bhandup (W), Mumbai - 400078.

Telefax/Phone : 25662856/25664338/67993260 Email : support@bholanath.in

Mobile No : 9920903825/9821671733/9930514603/9819515543/9323166582.

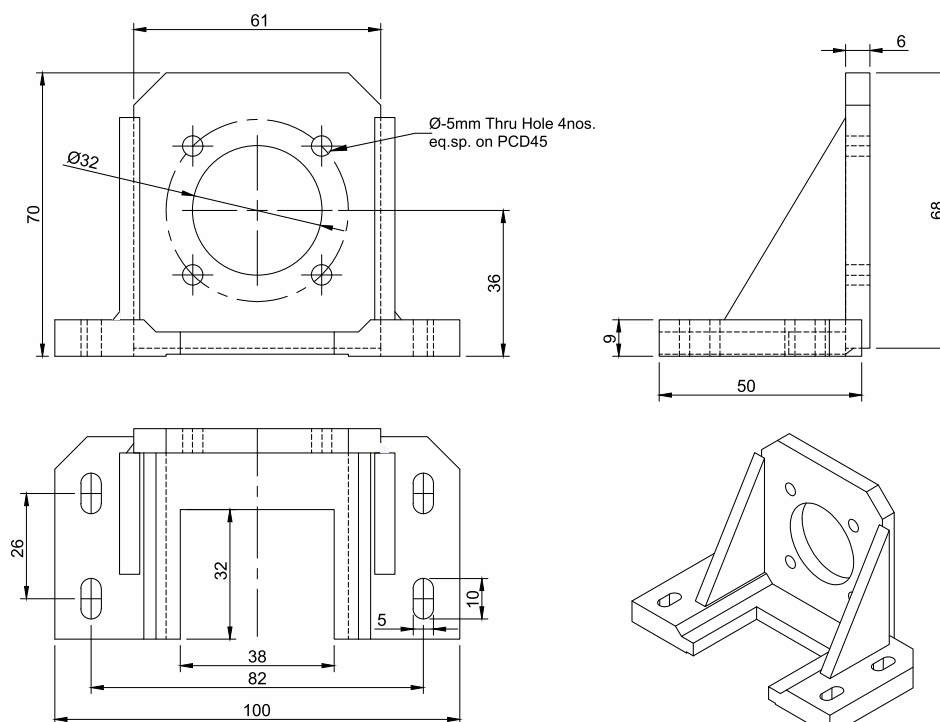
**SPECIFICATION
SHEET
Bholanath**

**NEMA 23(57MM)
Model No:- BH57-MB-PL
MOUNTING BRACKET**

BholanathTM
COMMITTED TO PRECISION

BHOLANATH Mounting Bracket, BH57-MB-PL Suitable For All Nema 23(57MM) Frame Size Planetary Geared Stepper Motors. Constructed Of High Tensile Alloy Steel, **Welded** Construction, With Adjustable Slots For Easier Fitting.

Weight:- 0.32KG



BholanathTM
COMMITTED TO PRECISION
BHOLANATH COOL STEPPERSTM

Bholanath Precision Engineering Pvt.Ltd.

11,Kembros Ind.Estate , Sonapur Lane , Bhandup (W),Mumbai - 400078.

Telefax/Phone : 25662856/25664338/67993260 Email : support@bholanath.in

Mobile No : 9920903825/9821671733/9930514603/9819515543/9323166582.

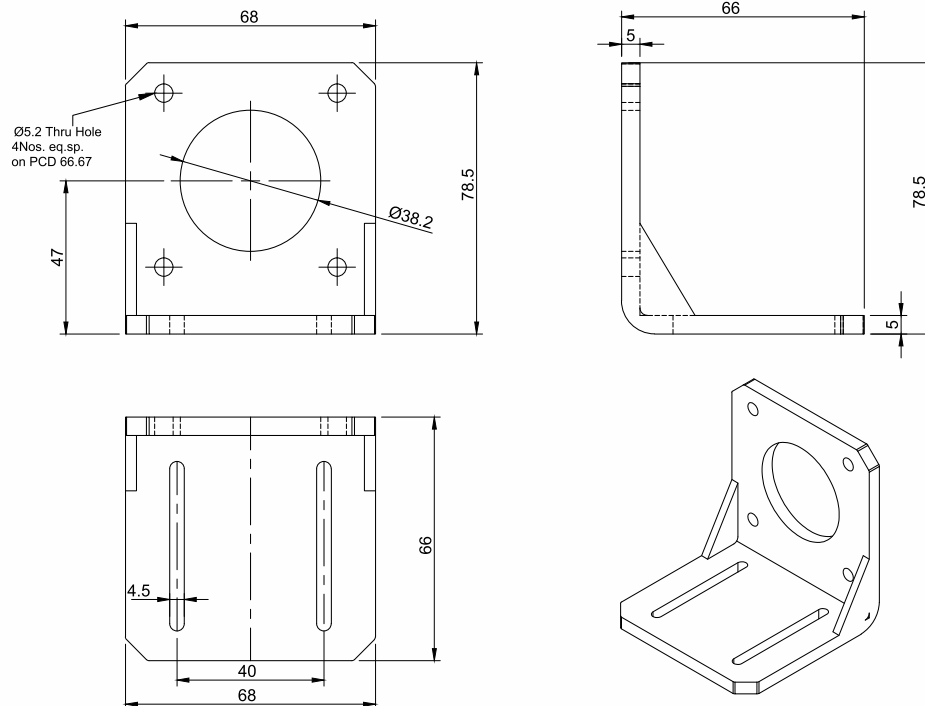
**SPECIFICATION
SHEET
Bholanath**

**NEMA 24(60MM)
Model No:- BH60-MB
MOUNTING BRACKET**

BholanathTM
COMMITTED TO PRECISION

BHOLANATH Mounting Bracket, BH60-MB is suitable For All Nema 24(60MM) Frame Size Stepper Motors. Constructed Of High Tensile Alloy Steel, Single Piece Construction, With Adjustable Slots for easier fitting.

Weight:- 0.3KG



BholanathTM
COMMITTED TO PRECISION
BHOLANATH COOL STEPPERSTM

Bholanath Precision Engineering Pvt.Ltd.

11, Kembros Ind.Estate, Sonapur Lane, Bhandup (W), Mumbai - 400078.

Telefax/Phone : 25662856/25664338/67993260 Email : support@bholanath.in

Mobile No : 9920903825/9821671733/9930514603/9819515543/9323166582.

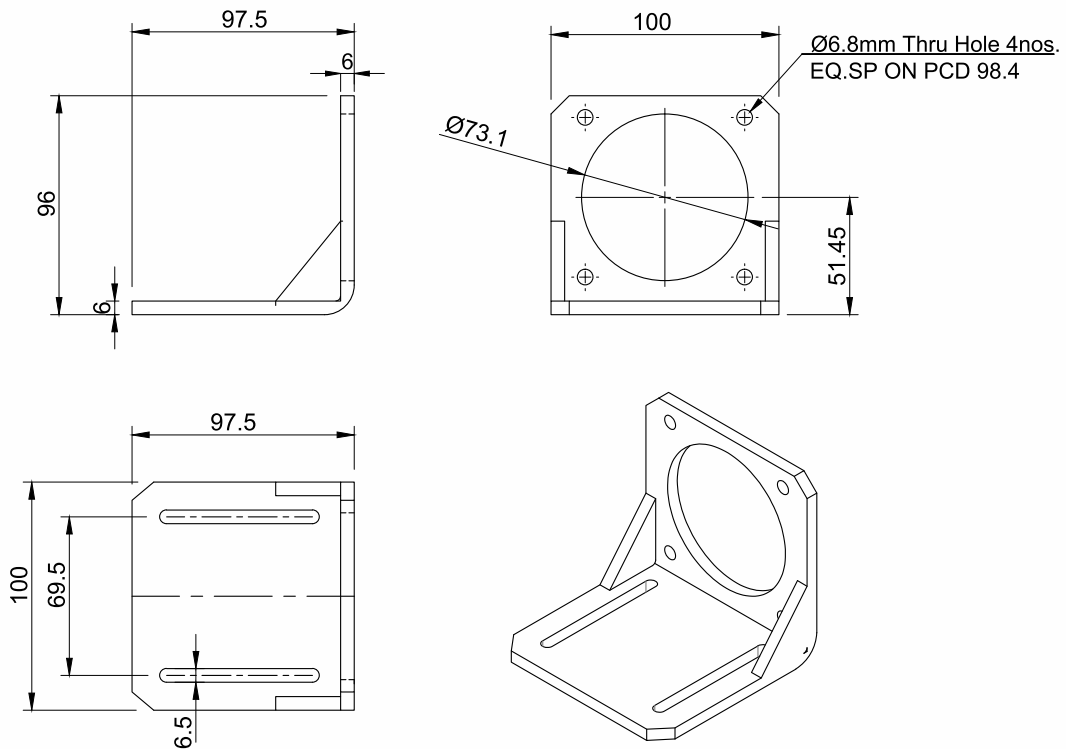
**SPECIFICATION
SHEET
Bholanath**

**NEMA 34(86MM)
Model No:- BH86-MB
MOUNTING BRACKET**

BholanathTM
COMMITTED TO PRECISION

BHOLANATH Mounting Bracket, BH86-MB is suitable For All Nema 34(86MM) Frame Size Stepper Motors. Constructed Of High Tensile Alloy Steel, Single Piece Construction, With Adjustable Slots for easier fitting.

Weight:- 0.6KG



BholanathTM
COMMITTED TO PRECISION
BHOLANATH COOL STEPPERSTM

Bholanath Precision Engineering Pvt.Ltd.

11, Kembros Ind.Estate, Sonapur Lane, Bhandup (W), Mumbai - 400078.

Telefax/Phone : 25662856/25664338/67993260 Email : support@bholanath.in

Mobile No : 9920903825/9821671733/9930514603/9819515543/9323166582.

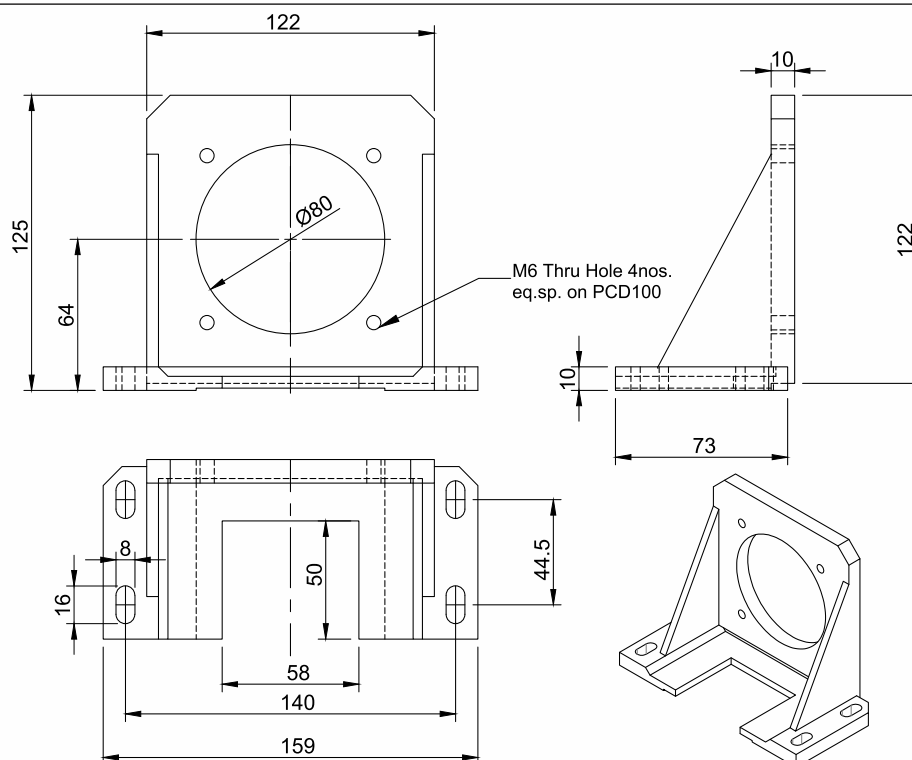
**SPECIFICATION
SHEET
Bholanath**

**NEMA 34(86MM)
Model No:- BH86-MB-PL
MOUNTING BRACKET**



BHOLANATH Mounting Bracket, BH86-MB-PL Suitable For All Nema 34(86MM) Frame Size Planetary Geared Stepper Motors. Constructed Of High Tensile Alloy Steel, **Welded** Construction, With Adjustable Slots For Easier Fitting.

Weight:- 1.25KG



Bholanath Precision Engineering Pvt.Ltd.

11,Kembros Ind.Estate , Sonapur Lane , Bhandup (W),Mumbai - 400078.

Telefax/Phone : 25662856/25664338/67993260 Email : support@bholanath.in

Mobile No : 9920903825/9821671733/9930514603/9819515543/9323166582.

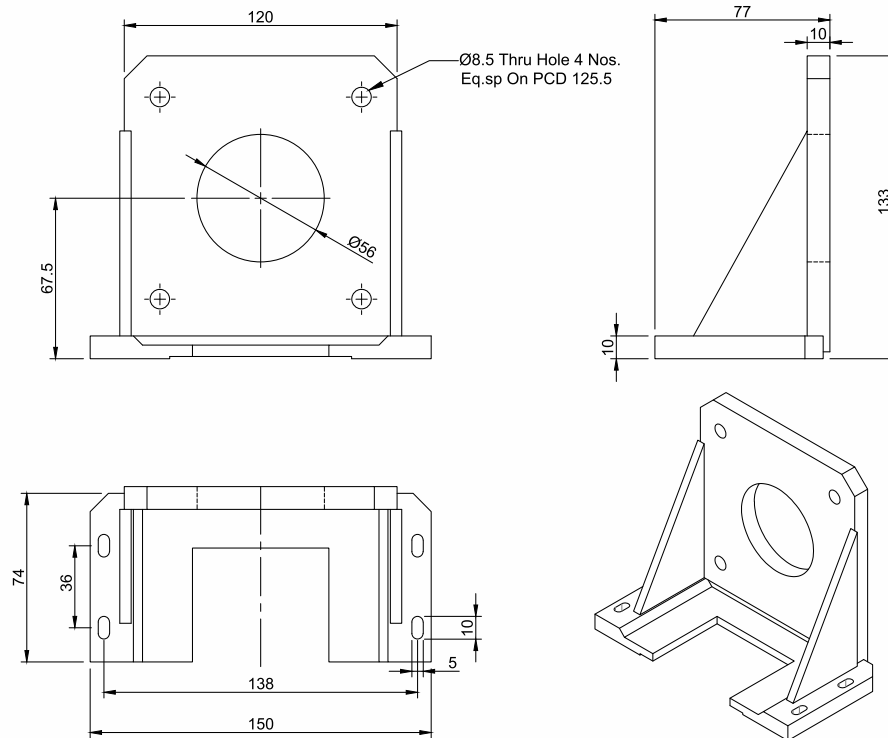
**SPECIFICATION
SHEET
Bholanath**

**NEMA 42(110MM)
Model No:- BH110-MB
MOUNTING BRACKET**

BholanathTM
COMMITTED TO PRECISION

BHOLANATH Mounting Bracket, BH110-MB is suitable For All Nema 42(110MM) Frame Size Stepper Motors. Constructed Of High Tensile Alloy Steel, Single Piece Construction, With Adjustable Slots for easier fitting.

Weight:- 1.3KG



BholanathTM
COMMITTED TO PRECISION

BHOLANATH COOL STEPPERSTM

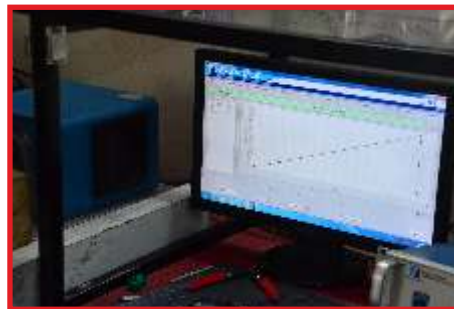
Bholanath Precision Engineering Pvt.Ltd.

11, Kembros Ind.Estate, Sonapur Lane, Bhandup (W), Mumbai - 400078.

Telefax/Phone : 25662856/25664338/67993260 Email : support@bholanath.in

Mobile No : 9920903825/9821671733/9930514603/9819515543/9323166582.

MANUFACTURING FACILITY



Office Address

Bholanath Precision Engineering Pvt.Ltd.

11,Kembros Industrial Estate,Near Asian Paint Company,
Sonapur Lane,Bhandup (West),Mumbai - 400078,India.

FACTORY ADDRESS

Plot No - 1, Gut No - 203 , Dahagaon , Vasind (West) , Wada Link Road ,
Off Mumbai Nashik Road ,
Opposite Jindal Steel Factory ,
Taluka - Shahpur , District - Thane - 421 302 ,
Maharashtra State , India.

Contact Us

Phone No : -

+91 - 9821671733
+91 - 9920903825
+91 - 9930514603
+91 - 9323166582

91 - 22 - 25664338 /25662856 / 67993260

Bholanath™

COMMITTED TO PRECISION

Website :-

www.bholanath.in

Email Id :-

support@bholanath.in
nisha.k@bholanath.in